



FEATURES

- Use with 10 to 14-bit A/D converters
- 1.25 Megapixels/second minimum throughput (14 bits)
- $\pm 10V$ input/output ranges, Gain = -1
- Low noise, 200 μ Vrms
- Two independent S/H amplifiers
- Gain matching between S/H's
- Offset adjustments for each S/H
- Four external A/D control lines
- Small package, 24-pin ceramic DDIP
- Low power, 700mW
- Low cost

PRODUCT OVERVIEW

The CDS-1401 is an application-specific, correlated double sampling (CDS) circuit designed for electronic-imaging applications that employ CCD's (charge coupled devices) as their photodetector. The CDS-1401 has been optimized for use in digital video applications that employ 10 to 14-bit A/D converters. The low-noise CDS-1401 can accurately determine each pixel's true video signal level by sequentially sampling the pixel's offset signal and its video signal and subtracting the two. The result is that the consequences of residual charge, charge injection and low-frequency "kTC" noise on the CCD's output floating capacitor are effectively eliminated. The CDS-1401 can also be used as a dual sample-and-hold amplifier in a data acquisition system.

The CDS-1401 contains two sample-and-hold amplifiers and appropriate support/control circuitry. Features include independent offset-adjust capability for each S/H, adjustment for matching gain between the two S/H's, and four control lines for triggering the A/D converter used in conjunction with the CDS-1401. The CDS circuit's "ping-pong" timing approach (the offset signal of the "n+1"

pixel can be acquired while the video output of the "nth" pixel is being converted) guarantees a minimum throughput, in a 14-bit application, of 1.25MHz. In other words, the true video signal (minus offset) will be available at the output of the CDS-1401 every 800ns. This correlates with the fact that an acquisition time of 400ns is required for each internal S/H amplifier (10V step setting to $\pm 0.003\%$). The input and output of the CDS-1401 can swing up to ± 10 Volts.

The functionally complete CDS-1401 is packaged in a single, 24-pin, ceramic DDIP. It operates from $\pm 15V$ and +5V supplies and consumes 700mW. Though the CDS-1401's approach to CDS appears straightforward (see Description of Operation), the circuit actually exploits an elegant architecture whose tradeoffs enable it to offer wide-bandwidth, low-noise and highthroughput combinations unachievable until now. The CDS-1401 is a generic type of circuit that can be used with almost any 10 to 14-bit A/D converter. However, DATEL does offer A/D converters that are optimized for use with the CDS-1401.

BLOCK DIAGRAM

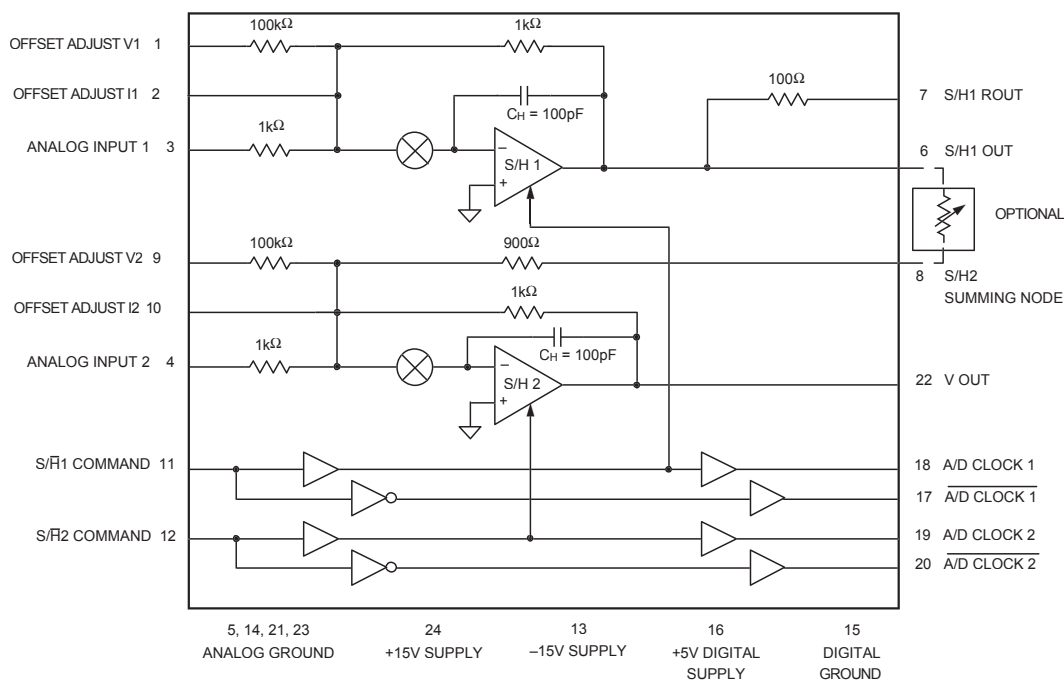


Figure 1. CDS-1401 Functional Block Diagram

ABSOLUTE MAXIMUM RATINGS		
PARAMETERS	LIMITS	UNITS
+15V Supply (Pin 24)	0 to +16	Volts
-15V Supply (Pin 13)	0 to -16	Volts
+5V Supply (Pin 16)	0 to +6	Volts
Digital Inputs (Pins 11, 12)	-0.3 to +V _{DD} +0.3	Volts
Analog Inputs (Pins 3, 4)	±12	Volts
Lead Temp. (10 seconds)	300	°C

PHYSICAL/ENVIRONMENTAL				
PARAMETERS	MIN.	TYP.	MAX.	UNITS
Operating Temp. Range, Case				
CDS-1401MC	0	—	+70	°C
CDS-1401MM	-55	—	+125	°C
Thermal Impedance				
θ _{jc}	—	5	—	°C/Watt
θ _{ca}	—	22	—	°C/Watt
Storage Temperature Range	-65	—	+150	°C
Package Type	24-pin, metal-sealed ceramic DDIP			
Weight	0.42 ounces (12 grams)			

FUNCTIONAL SPECIFICATIONS

(T_A = +25°C, ±V_{CC} = ±15V, +V_{DD} = +5V, pixel rate = 1.25MHz, and a minimum warmup time of two minutes unless otherwise noted.)

ANALOG INPUTS ①	+25°C			0 TO +70°C			-55 TO +125°C			UNITS
	MIN.	TYP.	MAX.	MIN.	TYP.	MAX.	MIN.	TYP.	MAX.	
Input Voltage Range	±10	—	—	±10	—	—	±10	—	—	Volts
Input Resistance	—	1000	—	—	1000	—	—	1000	—	Ohms
Input Capacitance	—	7	15	—	7	15	—	7	15	pF
DIGITAL INPUT										
Logic Levels										
Logic "1"	+2	—	—	+2	—	—	+2	—	—	Volts
Logic "0"	—	—	+0.8	—	—	+0.8	—	—	+0.8	Volts
Logic Loading "1"	—	—	+10	—	—	+10	—	—	+10	μA
Logic Loading "0"	—	—	-10	—	—	-10	—	—	-10	μA
PERFORMANCE										
Sample Mode Offset Error - S/H1	—	±1	±10	—	±2	±10	—	±4	±10	mV
Gain Error - S/H1	—	±0.2	±1	—	±0.25	±1	—	±0.3	±1.5	%
Pedestal - S/H1	—	±15	±35	—	±15	±35	—	±15	±35	mV
Sample Mode Offset Error - S/H2	—	±1	±10	—	±2	±10	—	±4	±10	mV
Gain Error - S/H2	—	±0.2	±1	—	±0.25	±1	—	±0.3	±1.5	%
Pedestal - S/H2	—	±15	±35	—	±15	±35	—	±15	±35	mV
Sample Mode Offset Error - CDS	—	±1	±10	—	±2	±10	—	±4	±10	mV
Differential Gain Error - CDS	—	±0.25	±1	—	±0.3	±1	—	±0.35	±1.5	%
Pedestal - CDS	—	±15	±35	—	±15	±35	—	±15	±35	mV
Pixel Rate (14-bit settling) ②	1.25	—	—	1.25	—	—	1.25	—	—	MHz
Input Bandwidth, ±5V										
Small Signal (-20dB input)	—	7	—	—	7	—	—	7	—	MHz
Large Signal (-0.5dB input)	—	5	—	—	5	—	—	5	—	MHz
Slew Rate	—	±80	—	—	±80	—	—	±80	—	V/μs
Aperture Delay Time	—	±10	—	—	±10	—	—	±10	—	ns
Aperture Uncertainty	—	5	—	—	5	—	—	5	—	ps rms
S/H Acquisition Time ②										
(to ±0.003%, 10V step)	—	200	300	—	200	300	—	200	300	ns
Hold Mode Settling Time										
(to ±0.15mV)	—	100	—	—	100	—	—	100	—	ns
Noise	—	200	—	—	200	—	—	200	—	μVr ms
Feedthrough Rejection	—	72	—	—	72	—	—	72	—	dB
Overshoot Recovery Time	—	400	—	—	400	—	—	400	—	ns
S/H Saturation Voltage	—	±12.5	—	—	±12.5	—	—	±12.5	—	Volts
Droop Rate	—	±0.4	±0.02	—	±0.4	±2	—	±0.8	±4	mV/μs
ANALOG OUTPUTS ③										
Output Voltage Range	±10	—	—	±10	—	—	±10	—	—	Volts
Output Impedance	—	0.5	—	—	0.5	—	—	0.5	—	Ohms
Output Current	—	—	±20	—	—	±20	—	—	±20	mA
DIGITAL OUTPUTS										
Logic Levels										
Logic "1"	+3.9	—	—	+3.9	—	—	+3.9	—	—	Volts
Logic "0"	—	—	+0.4	—	—	+0.4	—	—	+0.4	Volts
Logic Loading "1"	—	—	-4	—	—	-4	—	—	-4	mA
Logic Loading "0"	—	—	+4	—	—	+4	—	—	+4	mA

POWER REQUIREMENTS	+25°C			0 TO +70°C			-55 TO +125°C			UNITS
	MIN.	TYP.	MAX.	MIN.	TYP.	MAX.	MIN.	TYP.	MAX.	
Power Supply Ranges										
+15V Supply	+14.75	+15.0	+15.25	+14.75	+15.0	+15.25	+14.75	+15.0	+15.25	Volts
-15V Supply	-14.75	-15.0	-15.25	-14.75	-15.0	-15.25	-14.75	-15.0	-15.25	Volts
+5V Supply	+4.75	+5.0	+5.25	+4.75	+5.0	+5.25	+4.75	+5.0	+5.25	Volts
Power Supply Currents										
+15V Supply	—	+23	+27	—	+23	+27	—	+23	+27	mA
-15V Supply	—	-23	-27	—	-23	-27	—	-23	-27	mA
+5V Supply	—	+1	+2	—	+1	+2	—	+1	+2	mA
Power Dissipation	—	700	850	—	700	850	—	700	850	mW
Power Supply Rejection	—	—	88	—	—	88	—	—	88	dB

Footnotes:

- ① Pins 3 and 4.
- ② See Figure 4 for relationship between input voltage, accuracy, and acquisition time.
- ③ Pins 6 and 22.

INPUT/OUTPUT CONNECTIONS			
PIN	FUNCTION	PIN	FUNCTION
1	OFFSET ADJUST V1	24	+15V ANALOG SUPPLY
2	OFFSET ADJUST I1	23	ANALOG GROUND
3	ANALOG INPUT 1	22	V OUT
4	ANALOG INPUT 2	21	ANALOG GROUND
5	ANALOG GROUND	20	A/D CLOCK2
6	S/H1 OUT	19	A/D CLOCK2
7	S/H1 ROUT	18	A/D CLOCK1
8	S/H2 SUMMING NODE	17	A/D CLOCK1
9	OFFSET ADJUST V2	16	+5V DIGITAL SUPPLY
10	OFFSET ADJUST I2	15	DIGITAL GROUND
11	S/H1 COMMAND	14	ANALOG GROUND
12	S/H2 COMMAND	13	-15V ANALOG SUPPLY

TECHNICAL NOTES

1. To achieve specified performance, all power supply pins should be bypassed with 2.2μF tantalum capacitors in parallel with 0.1μF ceramic capacitors. All ANALOG GROUND (pins 5, 14, 21 and 23) and DIGITAL GROUND (pin 15) pins should be tied to a large analog ground plane beneath the package.
2. In the CDS configuration, to avoid saturation of the S/H amplifiers, the maximum analog inputs and conditions are as follows:
ANALOG INPUT 1 < ±12V
(ANALOG INPUT 1 – ANALOG INPUT 2) < ±12V
3. The combined video and reference/offset signal from the CCD array must be applied to S/H2, while the reference/offset signal is applied to S/H1.
4. To use as a CDS circuit, tie pin 8 (S/H2 SUMMING NODE) to either pin 6 (S/H1 OUT), through a 200 Ohm potentiometer, or directly to pin 7 (S/H1 ROUT). In both cases, the CCD's output is tied to pins 3 (ANALOG INPUT 1) and 4 (ANALOG INPUT 2). As shown in Figure 5, the 200Ω potentiometer is for gain matching.
5. To use as a dual S/H, leave pin 7 (S/H1 ROUT) and pin 8 (S/H2 SUMMING NODE) floating. Pin 6 (S/H1 OUT) will be the output of S/H1 and pin 22 (V OUT) will be the output of S/H2.
6. See Figure 4 for acquisition time versus accuracy and input voltage step amplitude.

FUNCTIONAL DESCRIPTION

CORRELATED DOUBLE SAMPLING

All photodetector elements (photodiodes, photomultiplier tubes, focal plane arrays, charge coupled devices, etc.) have unique output characteristics that call for specific analog-signalprocessing (ASP) functions at their outputs. Charge coupled devices (CCD's), in particular, display a number of unique characteristics. Among them is the fact that the "offset error" associated with each individual pixel (i.e., the apparent photonic content of that pixel after having had no light incident upon it) changes each and every time that particular pixel is accessed.

Most of us think of an offset as a constant parameter that either can be compensated for (by performing an offset adjustment) or can be measured, recorded, and subtracted from subsequent readings to yield more accurate data. Contending with an offset that varies from reading to reading requires measuring and recording (or capturing and storing) the offset each and every time, so it can be subtracted from each subsequent data reading.

The "double sampling" aspect of CDS refers to the operation of sampling and storing/recording a given pixel's offset and then sampling the same pixel's output an instant later (with both the offset and the video signal present) and subsequently subtracting the two values to yield what is referred to as the "valid video" output for that pixel.

The "correlated" in CDS refers to the fact that the two samples must be taken close together in time because the offset is constantly varying. Reasons for this phenomena are discussed below.

At the output of all CCD's, transported pixel charge (electrons) is converted to a voltage by depositing the charge onto a capacitor (usually called the output or "floating" capacitor). The voltage that develops across this capacitor is obviously proportional to the amount of deposited charge (i.e., the number of electrons) according to $\Delta V = \Delta Q/C$. Once settled, the resulting capacitor voltage is buffered and brought to the CCD's output pin as a signal whose amplitude is proportional to the total number of photons incident upon the relevant pixel.

After the output signal has been recorded, the floating capacitor is discharged ("reset", "clamped", "dumped") and made ready to accept charge from the next pixel. This is when the problems begin. (This is a somewhat oversimplified explanation in that the floating capacitor is not usually "discharged" but, in fact, "recharged" to some predetermined dc voltage, usually called the "reference level". The pixel offset appears as an output deviation from that reference level.)

The floating capacitor is normally discharged (charged) via a shunt switch (typically a FET structure) that has a non-zero "on" resistance. When the switch is on, its effective series resistance exhibits thermal noise (Johnson noise) due to the random motion of thermally energized charge. Because the shunt switch is in parallel with the floating capacitor, the instantaneous value of the thermal noise (expressed in either Volts or electrons) appears across the cap. When the shunt switch is opened, charge/voltage is left on the floating cap.

The magnitude of this "captured noise voltage" is a function of absolute temperature (T), the value of the floating capacitor (C) and Boltzman's constant (k). It is commonly referred to as "kTC" noise.

The second contributor to the constantly varying pixel offsets is the fact that, at high pixel rates, the floating capacitor never has time to fully discharge (charge) during the period in which its shunt switch is closed. There is always some "residual" charge left on the cap, and the amount of this charge varies as a function of what was the total charge held during

the previous pixel. This amount of residual charge is, in fact, deterministic (if you know the previous charge and the number of time constants in the discharge period), however, it is less of a contributor than kTC noise.

The third major contributor to pixel offset is the fact that as the shunt FET is turned off, the voltage across (and the charge stored on) its parasitic junction capacitances changes. The result is an "injection" of excess charge onto the floating cap causing a voltage step normally called a "pedestal."

The fourth major contributor to pixel offset is a low-frequency noise component (usually called 1/f noise or pink noise) associated with the CCD's output buffer amplifier. Due to all of these contributing factors, "pixel offsets" vary from sample to sample in an inconsistent, unpredictable manner.

TRADITIONAL APPROACH TO CDS

There are a number of techniques for dealing with the varying offset idiosyncrasy of CCD's. The most prevalent has been what can be called the "sample-sample-subtract" technique. This approach requires the use of two high-speed sample-and-hold (S/H) amplifiers and a difference amplifier. The first S/H is used to acquire and hold a given pixel's offset. Immediately after that, the second S/H acquires and holds the same pixel's offset+video signal. After both the S/H outputs have fully settled, the difference amplifier subtracts the offset from the offset+video yielding the valid video signal.

CDS-1401 APPROACH (SEE FIGURE 1)

The DATEL CDS-1401 takes a slightly different, though clearly superior, approach to CDS. It can be called the "sample-subtract-sample" approach.

Note that the CDS-1401 has been configured to offer the greatest amount of user flexibility. Its two S/H circuits function independently. They have separate input and output pins. Each has its own independent control lines. The control-line signals are delayed, buffered, and brought back out of the package so they can be used to control other circuit functions. Each S/H has two pins for offset adjusting (if required), one for current and one for voltage.

In normal operation, the output signal of the CCD is applied simultaneously to the inputs (pins 3 and 4) of both S/H amplifiers. S/H1 will normally be used to capture and hold each pixel's offset signal. Therefore, S/H1 is initially in its signal-acquisition mode (logic "1" applied to pin 11, S/H1 COMMAND). This is also called the sample or track mode. Following a brief interval during which the output of the CCD and the output of S/H1 are allowed to settle, S/H1 is driven into its hold mode by applying a logic "0" to pin 11. S/H1 is now holding the pixel's offset value.

In most straightforward configurations, the output of S/H1 is connected to the summing node of S/H2 by connecting pin 7 (S/H1 ROUT) to pin 8 (S/H2 SUMMING NODE).

When the offset+video signal appears at the output of the CCD, S/H2 is driven into its signal acquisition mode by applying a logic "1" to pin 12 (S/H2 COMMAND). S/H2 employs a current-summing architecture that subtracts the output of S/H1 (the offset) from the output of the CCD (offset+video) while acquiring only the difference signal (i.e., the valid video). A logic "0" subsequently applied to pin 12 drives S/H2 into its hold mode, and after a brief transient settling time, the valid video signal appears at pin 22 (V OUT).

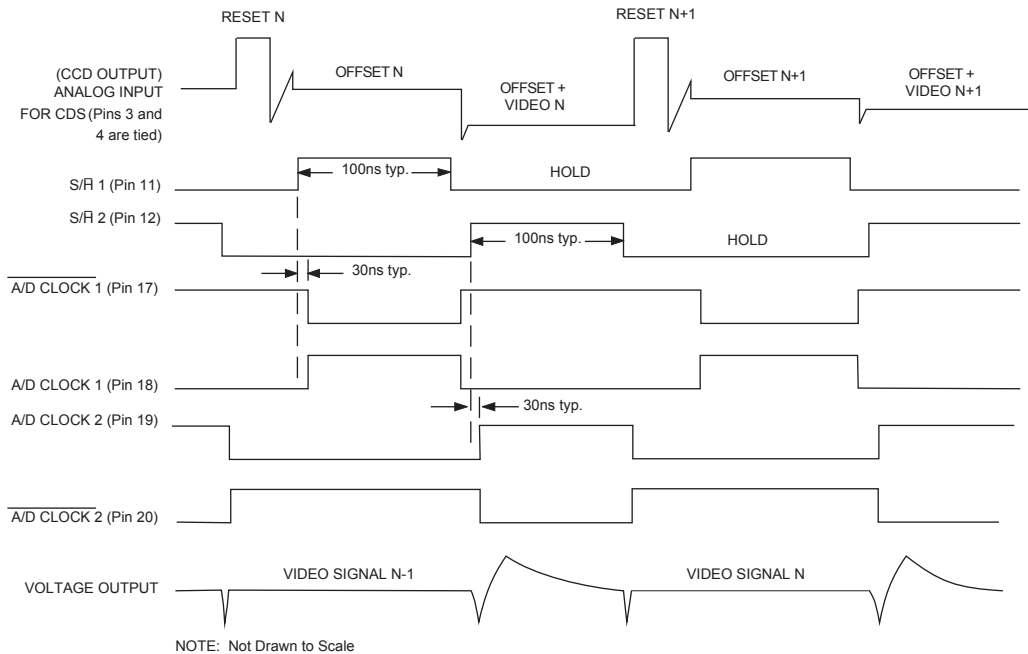


Figure 2. CDS-1401 Typical Timing Diagram

TIMING NOTES

See Figure 2, Typical Timing Diagram. It is advisable that neither of the CDS-1401's S/H amplifiers be in their sample/ track mode when large, high-speed transients (normally associated with clock edges) are occurring throughout the system. This could result in the S/H amplifiers being driven into saturation, and they may not recover in time to accurately acquire their next signal.

For example, S/H1 should not be commanded into the sample mode until all transients associated with the opening of the shunt switch have begun to decay. Similarly, S/H2 should not be driven into the sample mode until all transients associated with the clocking of pixel charge onto the output capacitor have begun to decay. Therefore, it is generally not a good practice to use the same clock edge to drive S/H1 into hold (holding the offset) and S/H2 into sample (to acquire the offset + video signal).

S/H's that are in their signal-acquisition modes should be left there as long as possible (so all signals can settle) and be driven into their hold modes before any system transients occur. In Figure 2, S/H1 is driven into the sample mode shortly after the transient from the shunt switch has begun to decay. S/H1 is then kept in the sample mode while the offset signal and the S/H output settle. S/H1 is driven into hold just prior to the system clock pulse(s) that transfers the next pixel charge onto the output capacitor.

As soon as the transients/noise associated with the charge transport begins to decay, S/H2 can be driven into the sample mode. S/H2 can then be left in the sample mode until just before the reset pulse for the output capacitor.

In Figure 2, S/H's 1 and 2 both have the same acquisition time. If the pixel-to-pixel amplitude variation of offset signals is much less than that of video signals, it may not be necessary for the allocated acquisition time of S/H1 to be as long as that of S/H2.

As shown in the plot (Figure 4) of acquisition times vs. input signal step

size, the S/H's internal to the CDS-1401 acquire smaller-amplitude signals quicker than they acquire larger amplitude signals. In "maximum-throughput" applications, assuming "asymmetric" timing can be accommodated, each S/H should only be given the time it requires, and no more, to acquire its input signal. Leaving a S/H amp in the sample mode for a longer period of time has little added benefit.

As an example, the graph shows that it takes 160ns to acquire a 500mV step to within 10mV of accuracy and 260ns to acquire a 500mV step to within 0.5mV of accuracy. The figures in this graph are typical values at room temperature.

The CDS-1401 brings out 4 control lines that can be used to trigger an A/D converter connected to its output. If the A/D is a sampling type, system timing should be such that the A/D's input S/H amplifier is acquiring the output of the CDS-1401 at the same time the output is settling to its final value.

For most sampling A/D's, the rising edge of the start-convert pulse drives the internal S/H into the hold mode under the assumption the S/H has already fully acquired and is tracking the input signal. In this case, the same edge can not be used to drive S/H2 into the hold mode and simultaneously initiate the A/D conversion. The output of S/H2 needs time to settle its sample-to-hold switching transient, and the input S/H of the A/D needs time to fully acquire its new input signal.

As shown in Figure 1, output line A/D CLOCK1 (pin 18) is a slightly delayed version of the signal applied to pin 11 (S/H1 COMMAND), and A/D CLOCK1 (pin 17) is its complement. A/D CLOCK2 (pin 19) is a delayed version of the signal applied to pin 12 (S/H2 COMMAND), and A/D CLOCK2 (pin 20) is its complement. Any one of these signals, as appropriate, may be used to trigger the A/D conversion.

Figure 3 is a typical timing diagram for a CDS-1401 in front of DATEL's 12-bit, 1.2MHz sampling A/D, the ADS-CCD1201.

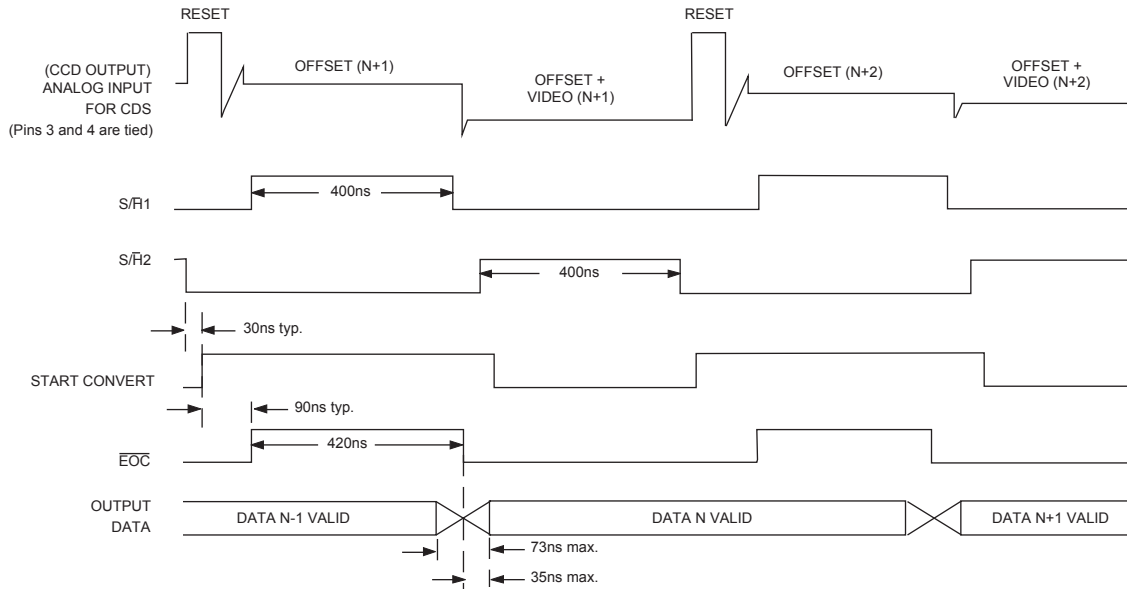


Figure 3. CDS-1401 in Front of ADS-CCD1201 at $f_{CLK} = 1\text{MHz}$

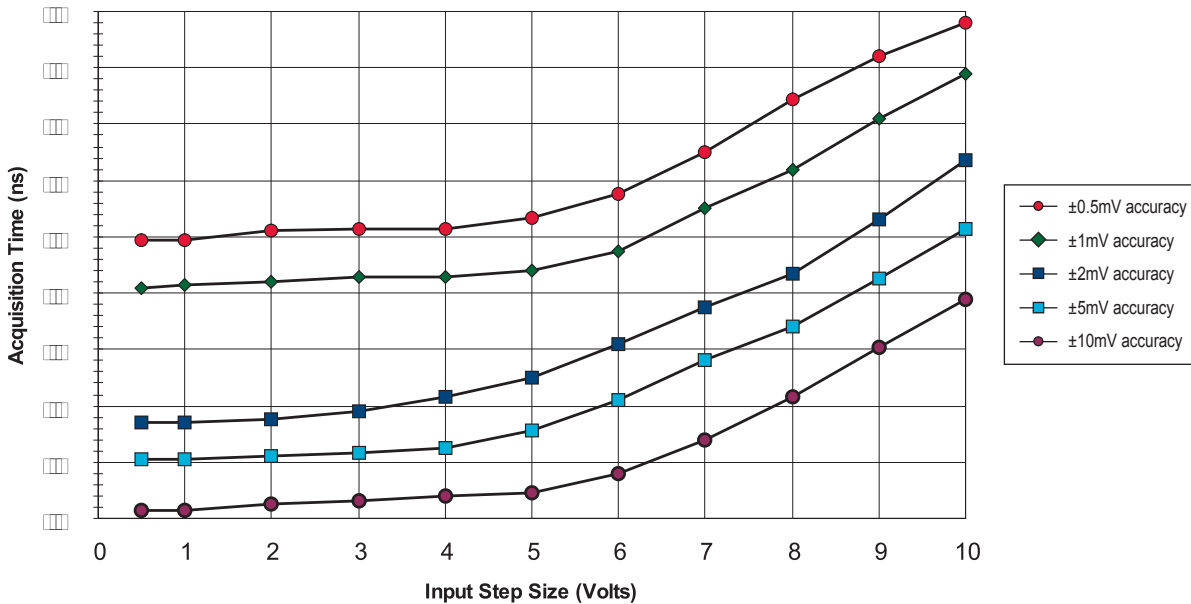


Figure 4. Acquisition Time versus Accuracy and Step Size

CALIBRATION PROCEDURE

OFFSET ADJUST (FIGURE 5)

Offset and pedestal errors may be compensated for by applying external voltages to pin 1 (OFFSET ADJUST V1) and/ or pin 9 (OFFSET ADJUST V2) using either voltage-output DAC's or potentiometers configured to appear as voltage sources.

Offset and pedestal errors may also be compensated for by applying external currents to pin 2 (OFFSET ADJUST I1) and/ or pin 10 (OFFSET ADJUST I2) by using either current-output DAC's or potentiometers configured to appear as current sources.

1. Connect pin 8 (S/H2 SUMMING NODE) either directly to pin 7 (S/H1 ROUT) or through a 200 Ohm potentiometer to pin 6 (S/H1 OUT).
2. Tie pins 3 (ANALOG INPUT 1) and 4 (ANALOG INPUT 2) to pin 5 (ANALOG GROUND).
3. Adjust OFFSET ADJUST V1 or OFFSET ADJUST I1 (while S/H1 is in the hold mode) until pin 6 (S/H1 OUT) equals 0V.
4. Adjust OFFSET ADJUST V2 or OFFSET ADJUST I2 (while S/H2 is in the hold mode) until pin 22 (VOUT) equals 0V.
5. To negate the effect of output droop on the offset-adjust process, each S/H must be continually switched between its sample and hold modes and adjusted so its output equals zero immediately after going into the hold mode.

The sensitivity of the voltage offset adjustments is 100mV per Volt. The sensitivity of the current offset adjustments is 1V per mA. Pins 1, 2, 9 and 10 should be left open (floating) when not being used for offset adjustment.

GROSS OFFSET ADJUSTMENT

For gross offset adjustments use pin 2 (OFFSET ADJUST I1) and/or pin 10 (OFFSET ADJUST I2). All connections made to pin 2 and pin 10 should be very short because these are very sensitive points.

Sourcing 1mA into OFFSET ADJUST I1 will cause a -1V offset change at pin 6 (S/H1 OUT). It will also cause a +1V offset change at pin 22 (V OUT) if pin 7 (S/H1 ROUT) is connected to pin 8 (S/H2 SUMMING NODE).

Sourcing 1mA into OFFSET ADJUST I2 will cause a -1V offset change at pin 22 (V OUT).

GAIN MATCHING ADJUSTMENT (DIFFERENTIAL GAIN) BETWEEN S/H1 AND S/H2

The user can adjust the gain matching (differential gain) between S/H1 and S/H2 by leaving pin 7 (S/H1 ROUT) floating (open) and connecting a 200 Ohm potentiometer between pin 6 (S/H1 OUT) and pin 8 (S/H2 SUMMING NODE). Note, offset adjustment should take place before gain matching adjustment.

Apply a full-scale input to both pins 3 (ANALOG INPUT 1) and 4 (ANALOG INPUT 2). Adjust the 200 Ohm potentiometer (with both S/H's in the sample mode) until pin 22 (V OUT) is 0V.

If gain matching adjustment is not required, leave pin 6 (S/H1 OUT) floating (open) and tie pin 7 (S/H1 ROUT) to pin 8 (S/H2 SUMMING NODE).

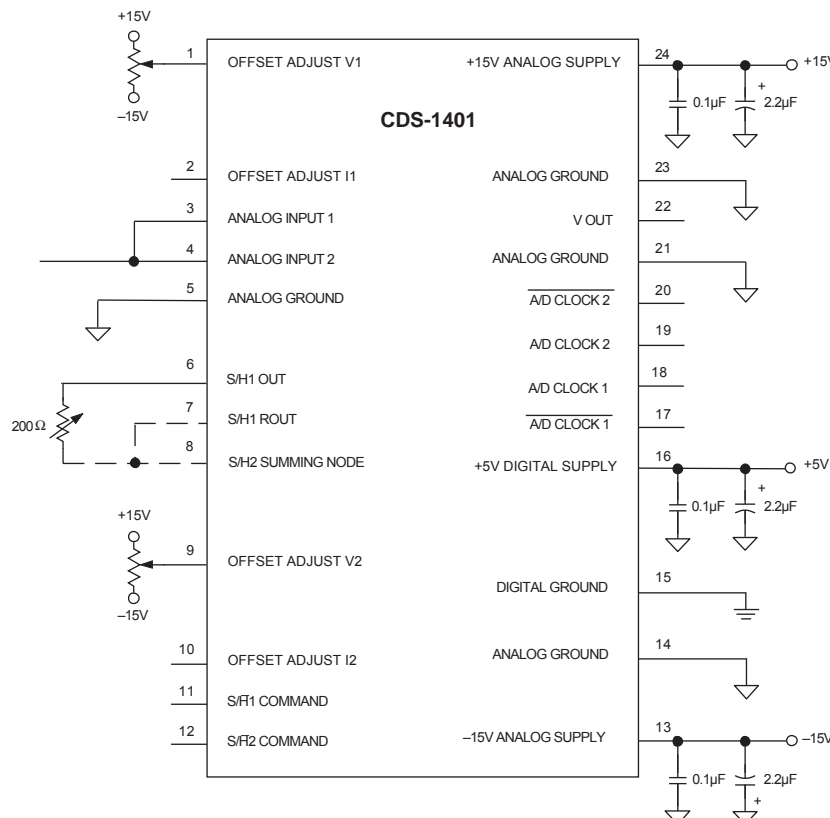
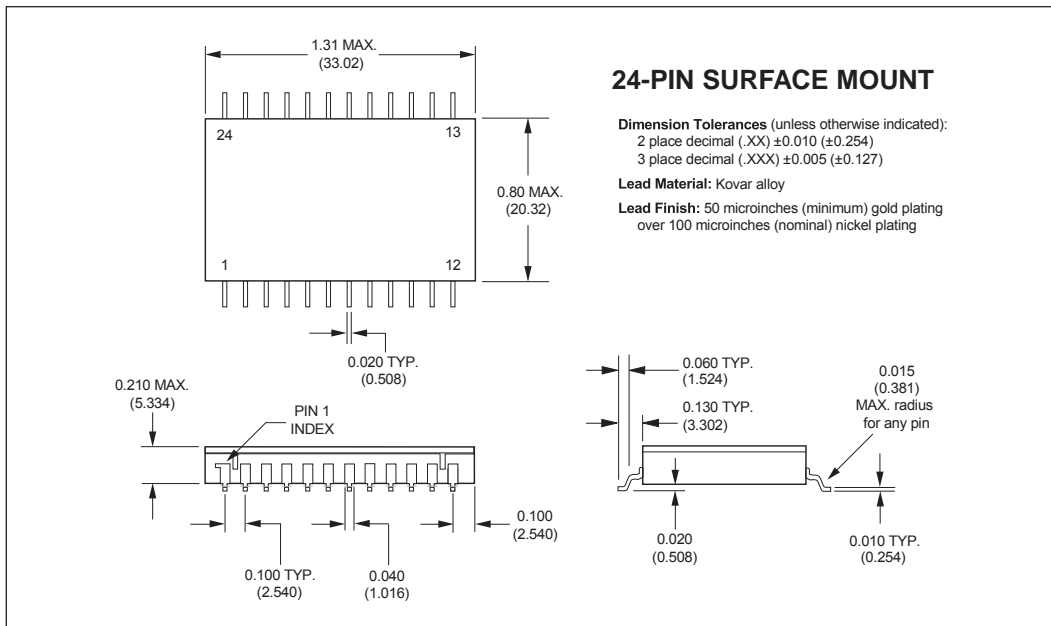
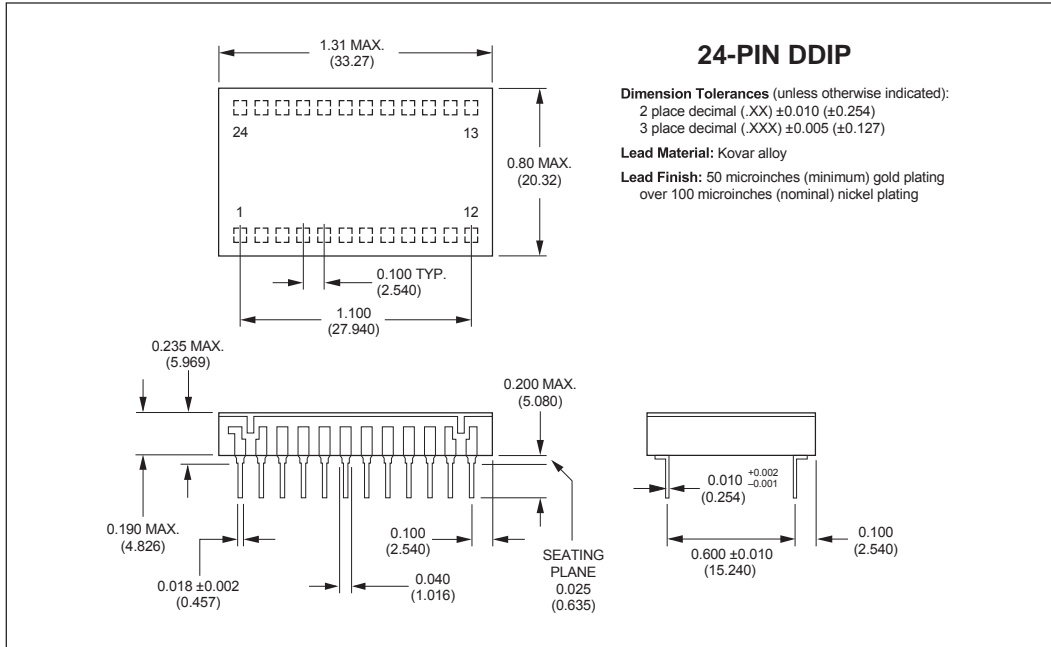


Figure 5. CDS-1401 Typical Connection Diagram

MECHANICAL DIMENSIONS INCHES (mm)



ORDERING INFORMATION				
MODEL NUMBER	OPERATING TEMP. RANGE	PACKAGE TYPE	ROHS	ACCESSORIES
CDS-1401MC	0 to +70°C	TDIP	NO	HS-24 Heat Sink for all CDS-1401 models
CDS-1401MM	-55 to +125°C	TDIP	NO	
CDS-1401MC-C	0 to +70°C	TDIP	YES	
CDS-1401MM-C	-55 to +125°C	TDIP	YES	

Receptacles for pc board mounting can be ordered through Amp Inc., part number 3-331272-8 (component lead socket), 24 required.
For MIL-STD-883 products, or availability of surface mount packaging, contact DATEL.