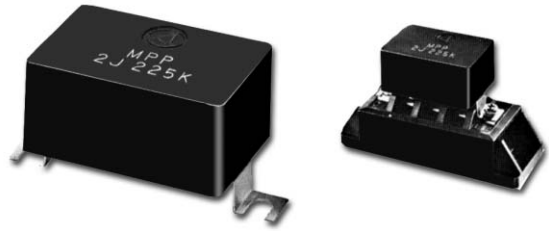


● CF99MPP



● CF78MPP



Features

- High current withstand capability.
- Low dissipation factor.

Applications

- High frequent circuit, Resonant circuit in high voltage, Snubber circuit and Protection of semiconductors,

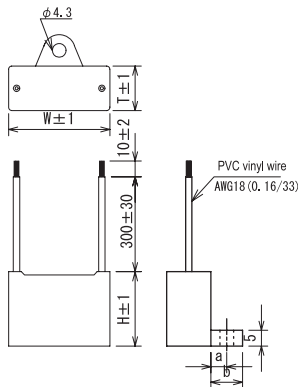
Features

- High current withstand capability.
- Low dissipation factor.
- Can be conected directly with power transistor module.

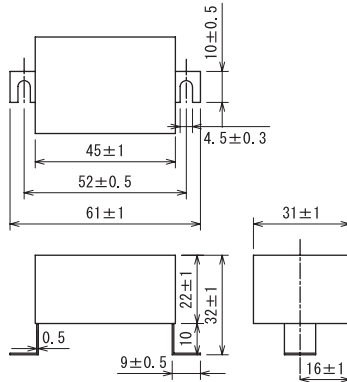
Applications

- High frequent circuit, Resonant circuit in high voltage, Snubber circuit and Protection of semiconductors,

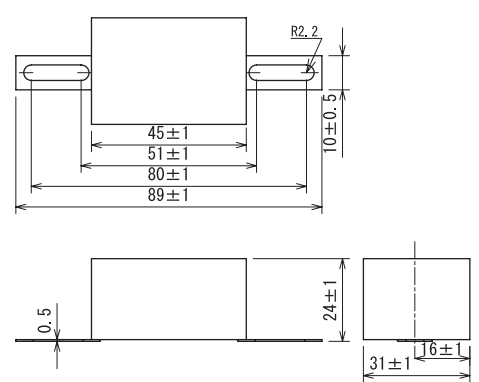
Dimensions



CF78MPP 2J225K-F

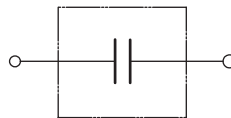


CF78MPP 2J225K-S



Unit: mm

Circuit



Electrical Specifications

Rated Voltage **630V_{DC}**

Model Number	Capacitance $\mu\text{F} \pm 10\%$	Dimensions					Dissipation factor	Test voltage	Insulation resistance
		W	H	T	a	b			
CF99MPP474	0.47	32.0	23.5	14.0	5	10	0.001 at $1000 \pm 100\text{Hz}$	Line to Line 1100V _{DC} (2~5sec)	Line to Line 10,000M Ω min Line to Ground 100,000M Ω min (at 500V _{DC})
CF99MPP105	1.0	39.5	30.0	18.5					
CF99MPP155	1.5	39.0	30.0	18.5					
CF99MPP225	2.2	47.5	33.5	21.5					
CF99MPP335	3.3	59.0	35.0	23.0					
CF99MPP475	4.7	"	"	"					
CF99MPP685	6.8	"	42.0	30.0					
CF99MPP825	8.2	"	"	"	13	0.002 at $1000 \pm 100\text{Hz}$	Line to Ground 1500V _{rms} 50/60Hz 60sec	Line to Line 5000M Ω min Line to Ground 100kM Ω min	
CF78MPP225	2.2	—	—	—					—

Operating Temperature: -40 ~ +85°C