

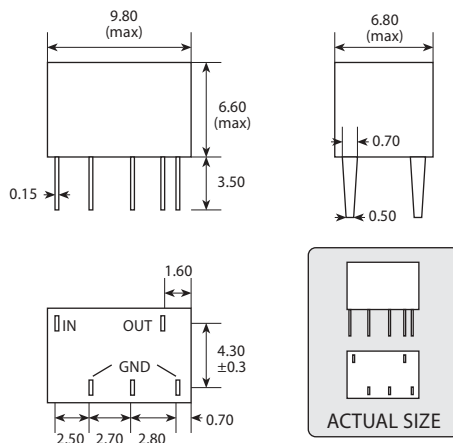
Features

- ▄ High selectivity
- ▄ Bandwidths from $\pm 2.0\text{kHz} \sim 15.0\text{kHz}$ @ 6dB
- ▄ Excellent GDT available for digital comms
- ▄ Resin molded package for easy PCB mounting

Ordering Information

Global part number
eg: **CFWLB455KEFA-B0**

- ◆ Suffix -B0 denotes bulk pack, 150pcs per box
- ◆ Suffix -M0 denotes magazines - 50pcs per magazine



Scale 2:1

Standard Models

Murata Global Part Number	Old Model Number	Centre Frequency Fc (kHz)	6dB Bandwidth (kHz) min	50dB Bandwidth (dB @ kHz)	Attenuation Fc $\pm 100\text{kHz}$ (dB) min	Insertion Loss (dB) max	Pass Band (kHz)	Inband Ripple (dB) max	Inband GDT Deviation (μs) max	Input/Output Impedance (ohms)	Operating Temperature Range ($^{\circ}\text{C}$)
CFWLB455KBFA-B0	CFWM455B	455.0	± 15.00	± 30.00	35	4	± 10.0	3.0		1500	-20 to +80
CFWLB455KCFA-B0	CFWM455C	455.0	± 12.50	± 24.00	35	4	± 8.0	3.0		1500	-20 to +80
CFWLB455KDFA-B0	CFWM455D	455.0	± 10.00	± 20.00	35	4	± 7.0	3.0		1500	-20 to +80
CFWLB455KEFA-B0	CFWM455E	455.0	± 7.50	± 15.00	35	6	± 5.0	3.0		1500	-20 to +80
CFWLB455KFFA-B0	CFWM455F	455.0	± 6.00	± 12.50	35	6	± 4.0	3.0		2000	-20 to +80
CFWLB455KGFA-B0	CFWM455G	455.0	± 4.50	± 10.00	35	6	± 3.0	2.0		2000	-20 to +80
CFWLB455KHFA-B0	CFWM455H	455.0	± 3.00	± 9.00	55	6	± 2.0	2.0		2000	-20 to +80
CFWLB455KJFA-B0	CFWM455I	455.0	± 2.00	± 7.50	55	7	± 1.5	2.0		2000	-20 to +80

Flat Group Delay Models

Murata Global Part Number	Old Model Number	Centre Frequency Fc (kHz)	6dB Bandwidth (kHz) min	50dB Bandwidth (dB @ kHz)	Attenuation Fc $\pm 100\text{kHz}$ (dB) min	Insertion Loss (dB) max	Pass Band (kHz)	Inband Ripple (dB) max	Inband GDT Deviation (μs) max	Input/Output Impedance (ohms)	Operating Temperature Range ($^{\circ}\text{C}$)
CFWLB455KB4Y-B0	CFWM455BY	455.0	± 15.00	± 30.00	40	6	± 10.0	1.0	30	1500	-20 to +80
CFWLB455KC4Y-B0	CFWM455CY	455.0	± 12.50	± 27.50	40	7	± 8.0	1.0	30	1500	-20 to +80
CFWLB455KD1Y-B0	CFWM455DY	455.0	± 10.00	± 25.00	40	8	± 7.0	1.0	30	1500	-20 to +80
CFWLB455KE1Y-B0	CFWM455EY	455.0	± 7.50	± 20.00	40	9	± 5.0	1.0	30	1500	-20 to +80
CFWLB455KF1Y-B0	CFWM455FY	455.0	± 6.00	± 17.50	40	10	± 4.0	1.0	40	2000	-20 to +80
CFWLB455KG1Y-B0	CFWM455GY	455.0	± 4.50	± 15.00	40	11	± 3.0	1.0	40	2000	-20 to +80