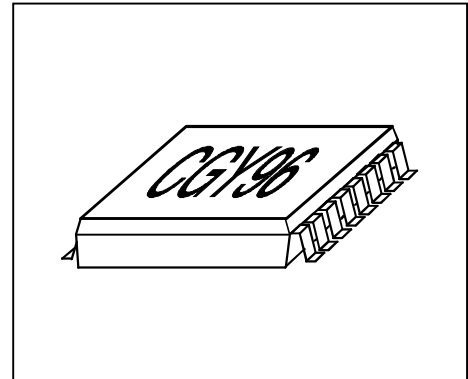


GaAs MMIC

- Power amplifier for GSM class 4 phones
- 3.2 W (35dBm) output power at 3.5 V
- Overall power added efficiency 50 %
- Fully integrated 3 stage amplifier
- Power ramp control
- Input matched to 50 ohms, simple output match



ESD: **E**lectrostatic **d**ischarge sensitive device, observe handling precautions!

Type	Marking	Ordering code (taped)	Package
CGY 96	CGY 96	Q62702G63	MW 16

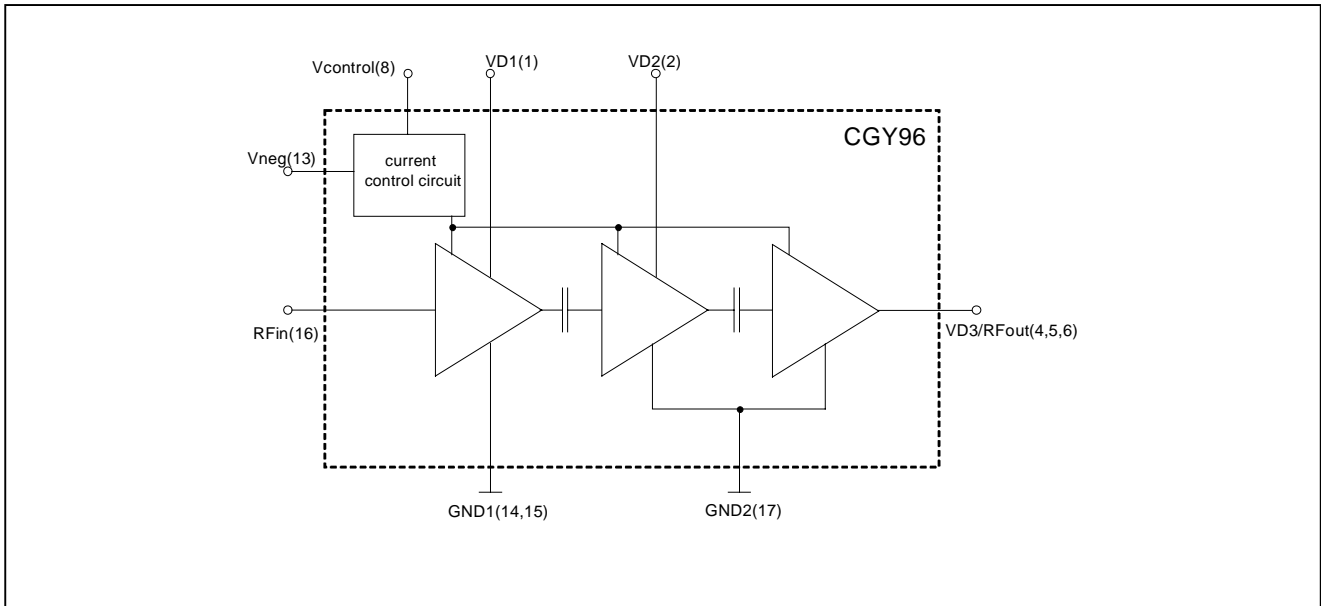
Maximum ratings

Characteristics	Symbol	max. Value	Unit
Positive supply voltage	V_D	9	V
Supply current	I_D	4	A
Channel temperature	T_{Ch}	150	°C
Storage temperature	T_{stg}	-55...+150	°C
Pulse peak power dissipation <i>duty cycle 12.5%, $t_{on}=0.577ms$</i>	P_{Pulse}	tbd	W
Total power dissipation ($T_s \leq 80\text{ °C}$) <i>T_s: Temperature at soldering point</i>	P_{tot}	tbd	W

Thermal Resistance

Characteristics	Symbol	max. Value	Unit
Channel-soldering point	R_{thChS}	tbd	K/W

Functional block diagramm:



Pin #	Name	Configuration
1	VD1	Drain voltage 1st stage
2	VD2	Drain voltage 2nd stage
3	n.c.	-
4,5,6	VD3 / RFout	Drain 3rd stage and RF-output
7	n.c.	-
8	Vcontrol	Control voltage for power ramping
9,10,11,12	n.c.	-
13	Vneg	negative voltage for current control circuit
14,15	Gnd1	Ground pin 1st stage
16	RFin	RF Input
(17)	GND2	Ground (backside of MW16 package)

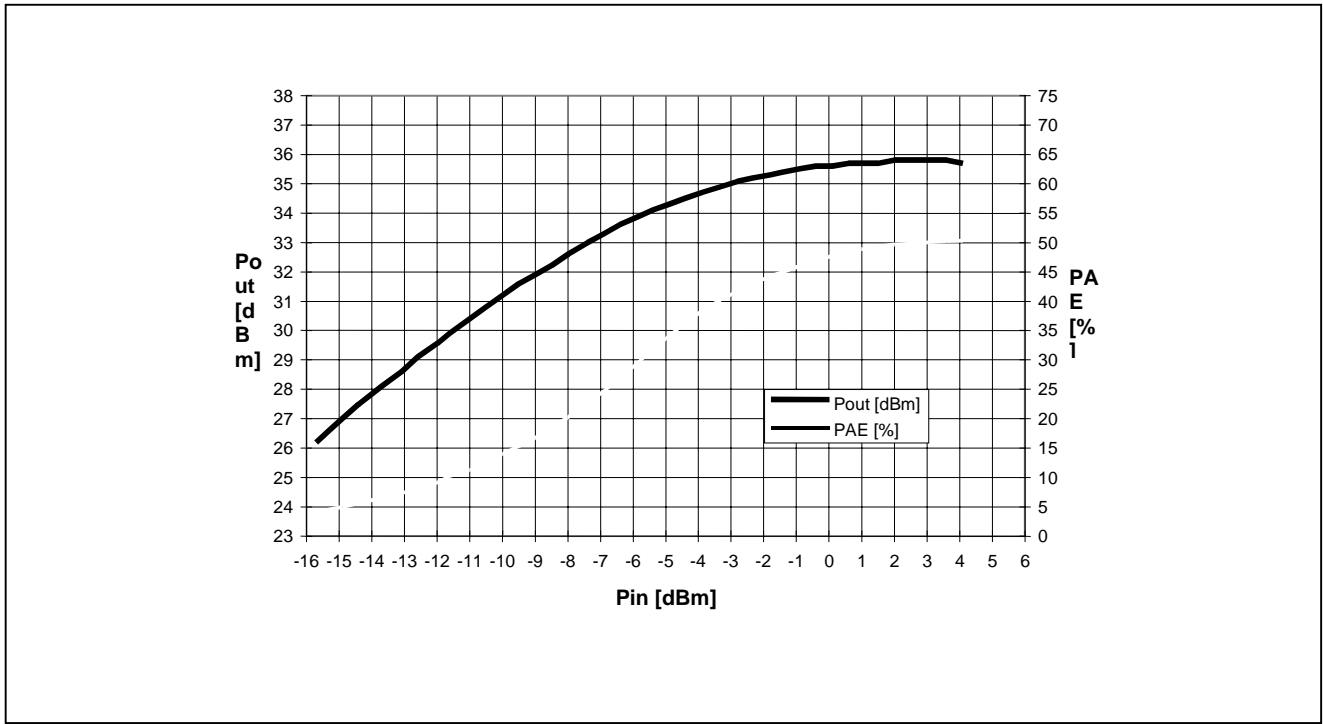
Electrical characteristics

($T_A = 25^\circ\text{C}$, $V_{\text{neg}} = -5\text{V}$, $V_{\text{control}} = 2.2\text{V}$; duty cycle 12.5%, $t_{\text{on}} = 577\mu\text{sec}$)

Characteristics	Symbol	min	typ	max	Unit
Frequency range	f	880	-	915	MHz
Supply current $P_{\text{in}} = 0\text{dBm}$	I_D	-	1.8	-	A
Supply current neg. voltage gener. $V_{\text{aux}} = 3.5\text{V}$	I_{AUX}	-	10	-	mA
Gain (small signal)	G	-	40	-	dB
Power gain $P_{\text{in}} = 0\text{dBm}$	G_P	-	35	-	dB
Output Power $P_{\text{in}} = 0\text{dBm}$, $V_{\text{control}} = 2.0\text{V} \dots 2.5\text{V}$	P_{OUT}	-	35	-	dBm
Overall Power added Efficiency $P_{\text{in}} = 0\text{dBm}$	η	-	50	-	%
Dynamic range output power $V_{\text{control}} = 0.2 \dots 2.2\text{V}$		-	80	-	dB
Harmonics $P_{\text{in}} = 0\text{dBm}$	$H(2f_0)$	-	-40	-	dBc
	$H(3f_0)$	-	-43	-	dBc
	$H(4f_0)$	-	-44	-	dBc
Noise Power in RX (935-960MHz) $P_{\text{in}} = 0\text{dBm}$, $P_{\text{out}} = 35\text{dBm}$, 100kHz RBW	N_{RX}	-	-81	-	dBm
Stability all spurious outputs < -60dBc, VSWR load, all phase angles		-	10 : 1	-	-
Input VSWR		-	1.7 : 1	-	-

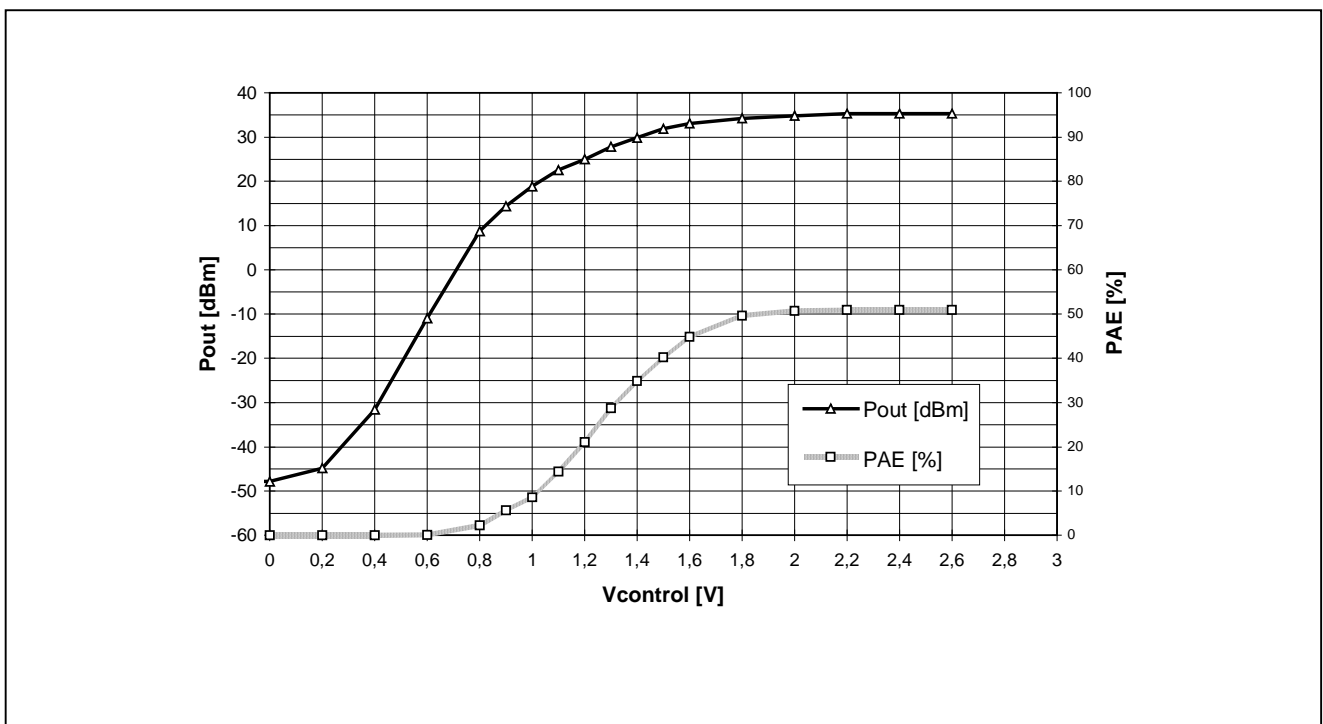
Output Power and PAE vs. Input Power

($V_d=3.5V$, $V_{control}=2.2V$, $f=900MHz$, duty cycle 12.5%, $t_{on}=577\mu s$)



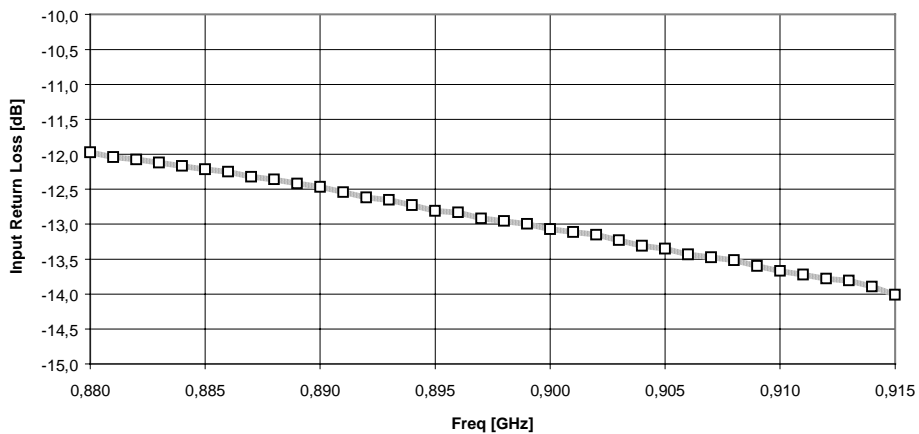
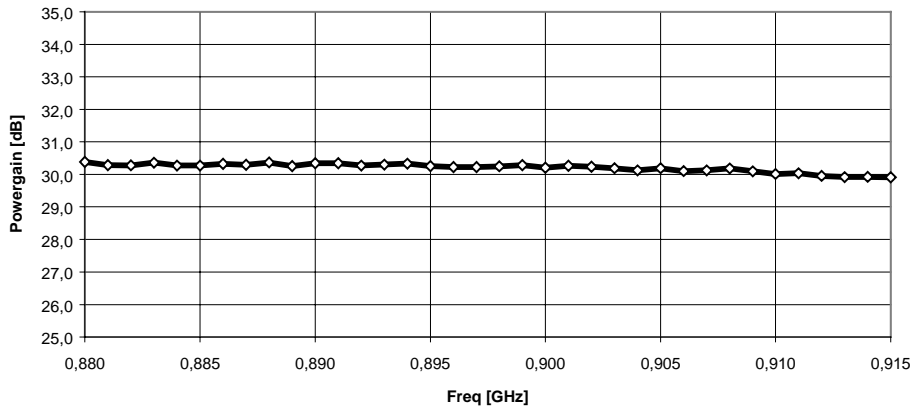
Output Power and PAE vs. Control Voltage:

($V_d=3.5V$, $P_{in}=0dBm$, $f=900MHz$, duty cycle 12.5%, $t_{on}=577\mu s$)



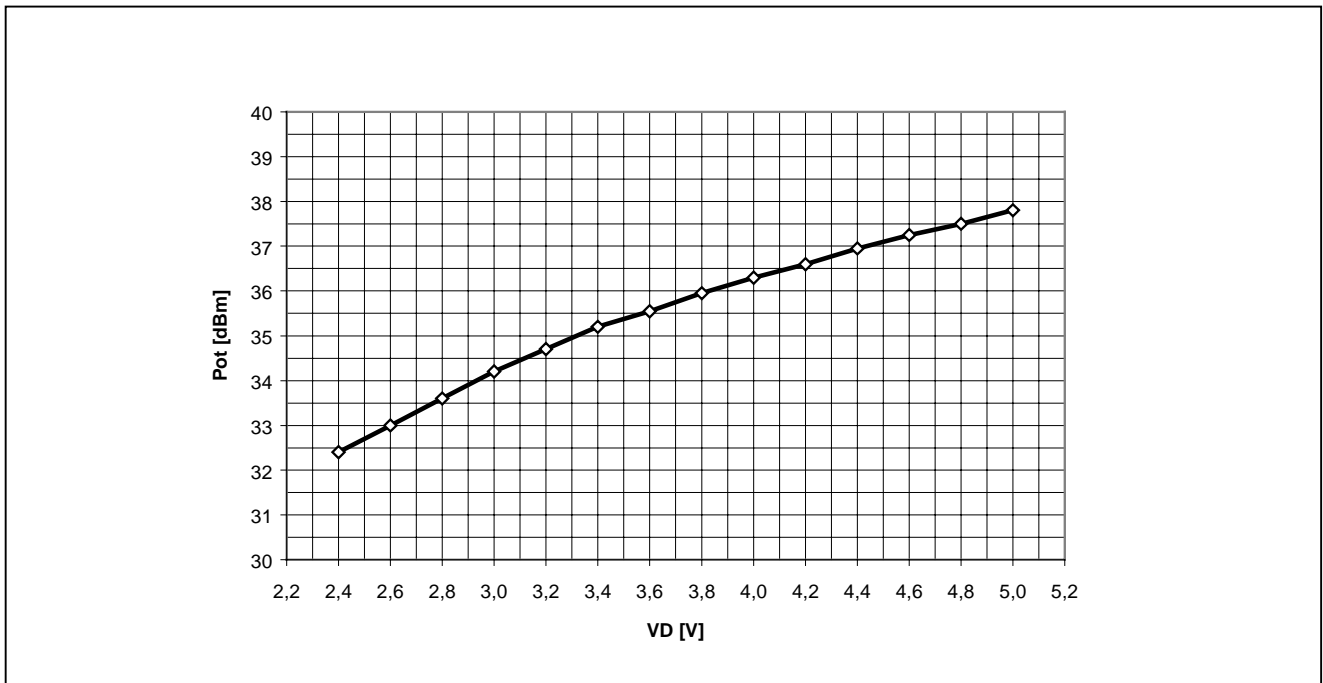
Power Gain and Input Return Loss vs. Frequency

($V_d=3.5V$, $V_{control}=2.2V$, $P_{in}=5dBm$, duty cycle 12.5%, $t_{on}=577\mu s$)



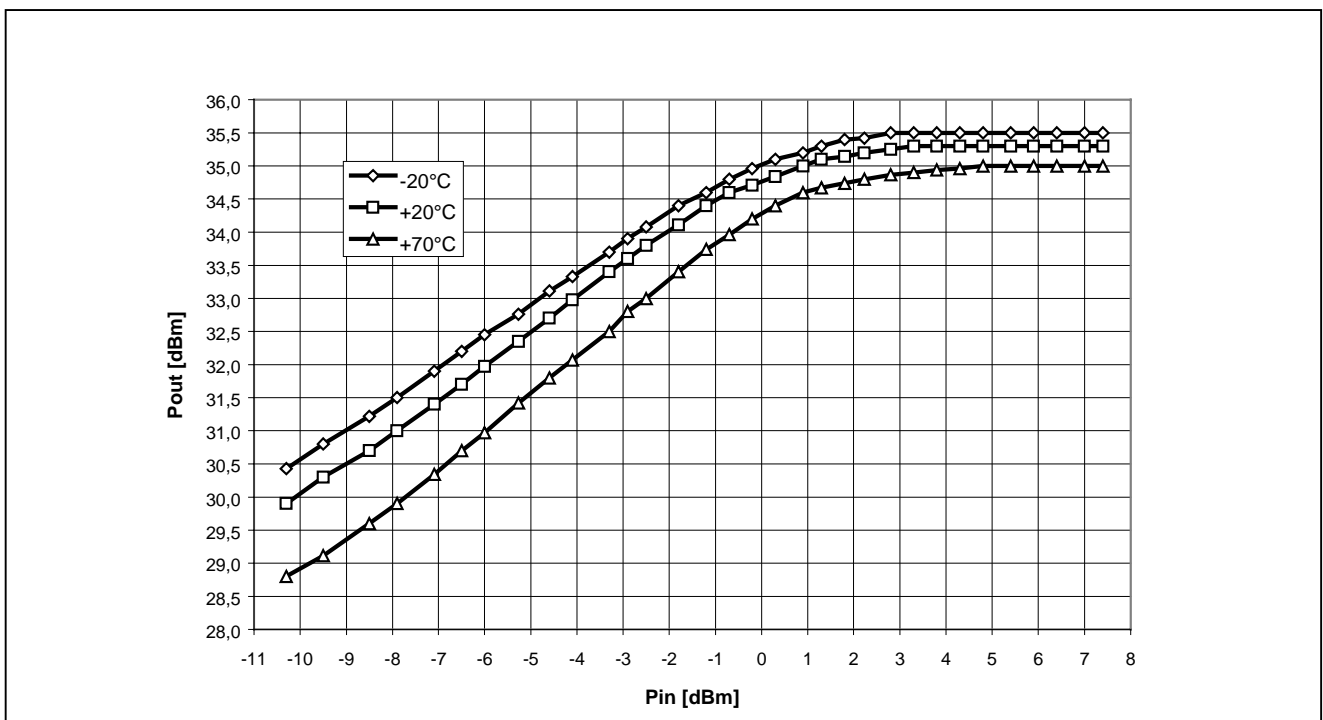
Output Power vs. Drain Voltage

(matched for $V_D=3.5V$, $V_{control}=2.2V$, $P_{in}=0dBm$, duty cycle 12.5%, $t_{on}=577\mu s$)



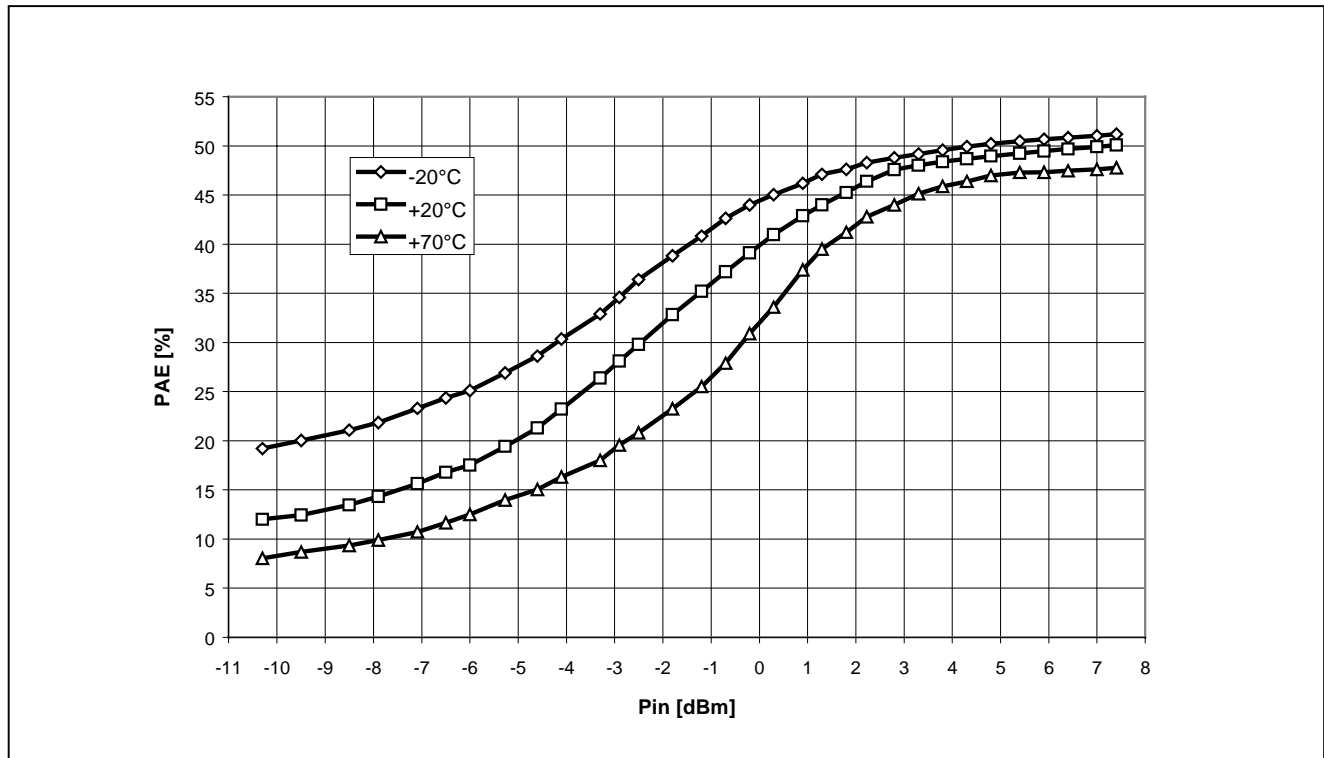
Output Power at different Temperatures

($V_D=3.5V$, $V_{control}=2.2V$, $f=900MHz$, duty cycle 12.5%, $t_{on}=577\mu s$)

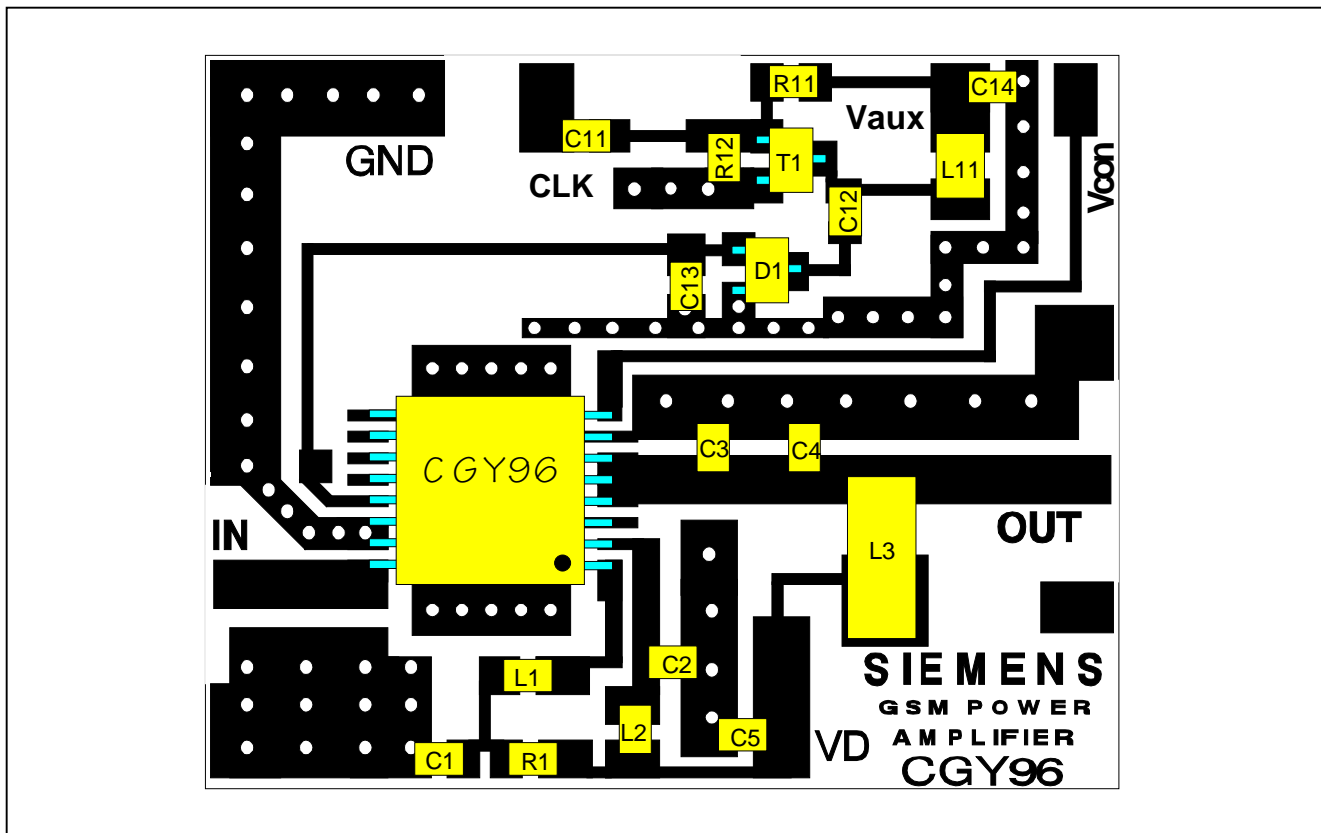


PAE at different Temperatures

($V_d=3.5V$, $V_{control}=2.2V$, $f=900MHz$, duty cycle 12.5%, $t_{on}=577\mu s$)



CGY 96 Evaluation Board



(Size 34mm x 27mm)

Connections:

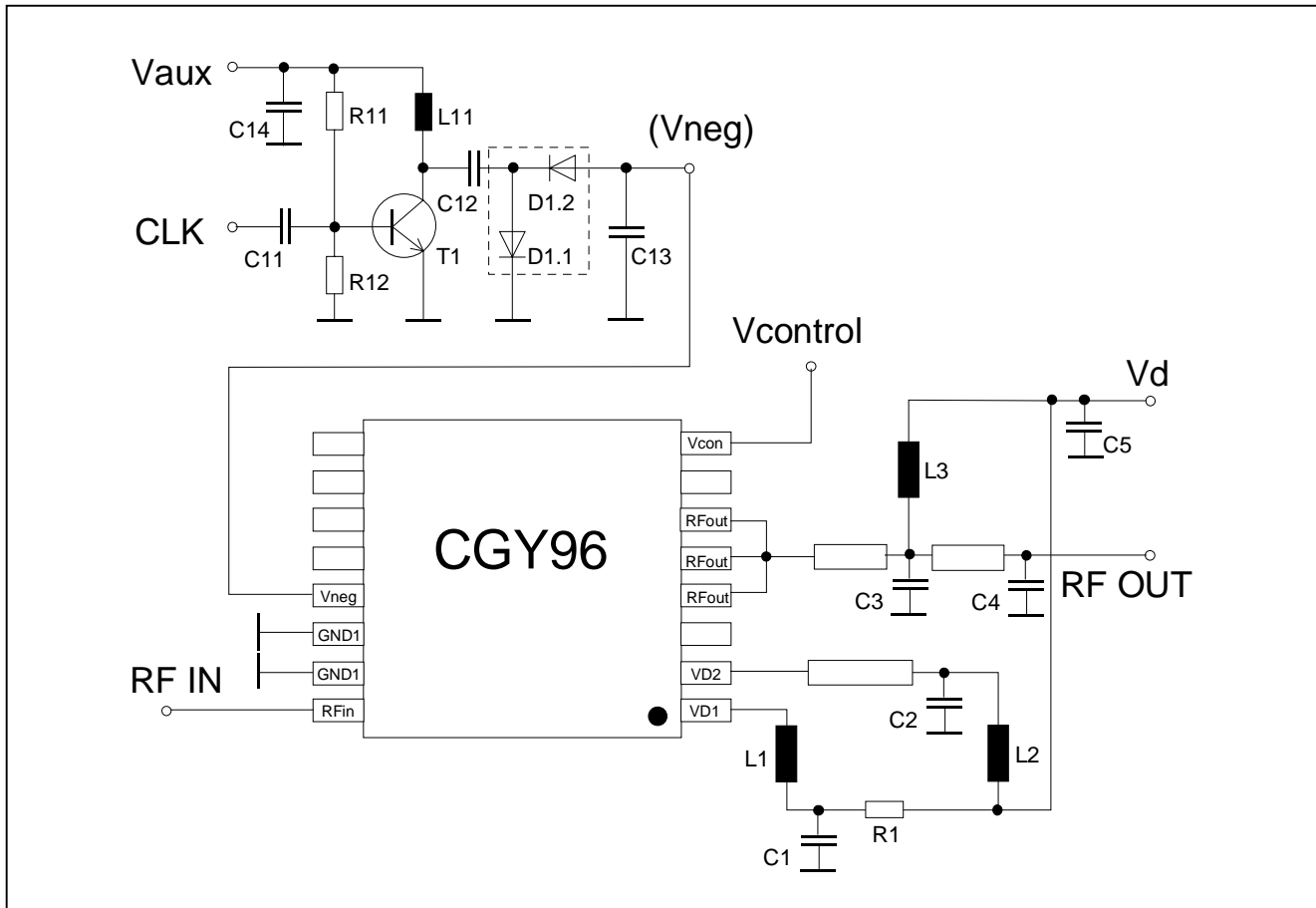
- Vd 2.7 to 6VDC, pulsed (GSM: 12,5% duty cycle, $t_{on}=0.577ms$)
- Vaux 2.7 to 6VDC
- Vcontrol 0.2 to 2.2 VDC (0.2V: min Pout, 2.2V: max Pout)
- CLK 5 MHz to 15 MHz (with a 10uH inductor)
or 150 kHz to 250 kHz (with a 100uH inductor instead of the 10uH)
(rectangular signal, 50% duty, 0 Volt to Vd voltage level)

Power on sequence:

1. continuous clock (CLK) on
2. turn on Vaux ==> check negative voltage at pin#13 (-5.....-10V)
3. turn on Vcontrol (may be at the same time as 2)
turn on Drainvoltage Vd
turn on Input Power

Operation without using the negative voltage generator:

Operation without using the on board negative voltage generator is possible. In that case apply -5....-8 V directly at pin#13 (Vneg-Pin). The devices in front of pin 13 are not necessary in that case.



Part List:

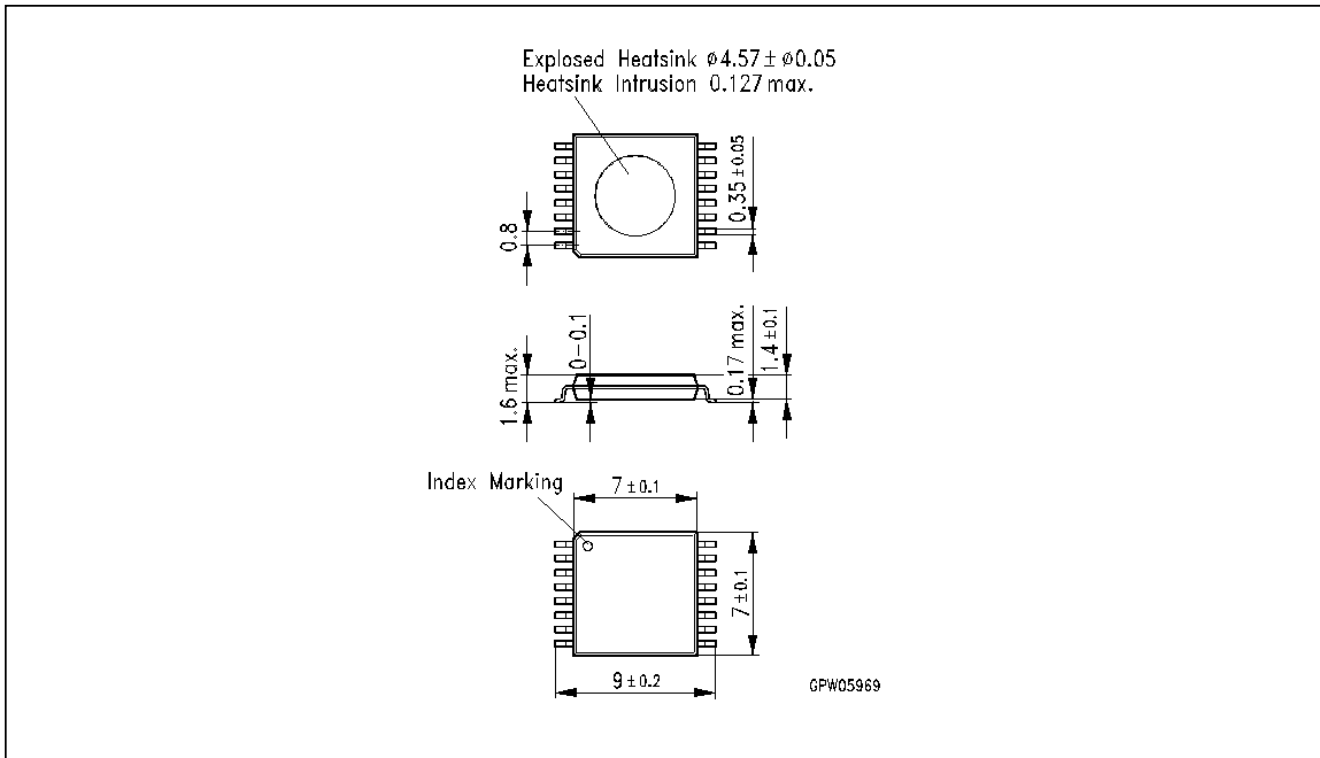
CGY96		Negative Voltage Generator	
L1	33nH	D1	BAS40-04W
L2	33nH	T1	BC848B
L3	33nH*	L11	10uH
C1	1nF	C11	1nF
C2	12pF	C12	1nF
C3	10pF**	C13	47nF
C4	2.2pF**	C14	1nF
C5	1nF	R11	3.8kOhm
R1	3.30hm	R12	680Ohm

* 33nH SMD-Inductor for drain3: Part Number BV1250
distribution by

*Horst David GmbH, 85375 Neufarn, Germany
Phone-No ..8165/9548-0 , Fax-No ..8165/9548-28*

** for maximum efficiency use high quality capacitors for
the output matching: Part Number ACCU-P0603
distribution by

*AVX GmbH, 85757 Karlsfeld, Germany
Phone-No ..8131/9004-0*



Published by Siemens AG, Bereich Bauelemente, Vertrieb,
Produkt-Information, Balanstraße 73, D-81541 München

copyright Siemens AG 1996. All Rights Reserved

As far as patents or other rights of third parties are concerned, liability is only assumed for components per se, not for applications, processes and circuits implemented within components or assemblies.

The information describes the type of component and shall not be considered as assured characteristics.

Terms of delivery and rights to change design reserved.

For questions on technology, delivery and prices please contact the Offices of Semiconductor Group in Germany or the Siemens Companies and Representatives worldwide (see address list).

Due to technical requirements components may contain dangerous substances. For information on the type in question please contact your nearest Siemens Office, Semiconductor Group.

Siemens AG is an approved CECC manufacturer.