

**CL1431**

**FEATURES**

- Temperature-Compensated: 30ppm/°C
- Trimmed 0.4% Bandgap Reference
- Internal Amplifier with 150mA Capability
- Temperature Range: Extended to -55 to 125°C
- Low Frequency Dynamic Output Impedance: < 150m
- Low Output Noise
- Robust ESD Protection

**DESCRIPTION**

The CL1431 is an adjustable shunt regulator designed to act as an open-loop error amplifier with a 2.5V temperature compensated reference. Its highly accurate 0.4% bandgap reference is perfect for applications requiring stability and accuracy over temperature and life.

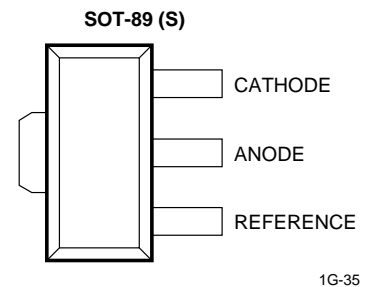
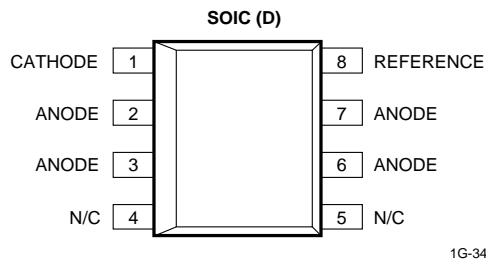
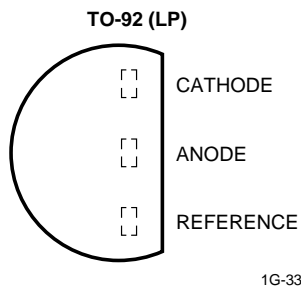
Sharp turn-on characteristics and a low temperature coefficient make the CL1431 an excellent replacement for many zener diode applications, programmable to any value greater than 2.5V and up to 36V by using two external resistors. As a combination error amplifier and reference, it can be used to manage control loops such as switching power supplies.

The CL1431 can be used as a direct replacement for the standard TL431.

**ORDERING INFORMATION**

Part	Package	Temperature Range
CL1431LP	TO-92	-55 to 125°C
CL1431D	8-Pin Plastic SOIC	-55 to 125°C
CL1431S	SOT-89	-55 to 125°C

**PIN CONFIGURATION (Top View)**



## ABSOLUTE MAXIMUM RATINGS

SYMBOL	PARAMETER	RATING	UNITS
V <sub>KA</sub>	Cathode-Anode Reverse Breakdown	37	V
I <sub>AK</sub>	Anode-Cathode Forward Current	1	A
I <sub>KA</sub>	Operating Cathode Current	250	mA
I <sub>REF</sub>	Reference Input Current	10	mA
P <sub>D</sub>	Continuous Power Dissipation at 25°C TO-92 8L SOIC SOT-89	775 750 1000	mW mW mW
T <sub>J</sub>	Junction Temperature	150	°C
T <sub>STG</sub>	Storage Temperature	-65 to 150	°C
T <sub>L</sub>	Lead Temperature, Soldering 10 Seconds	300	°C

Stresses greater than those listed under ABSOLUTE MAXIMUM RATINGS may cause permanent damage to the device. This is a stress rating only and functional operation of the device at these or any other conditions above those indicated in the operational sections of this specification is not implied. Exposure to absolute maximum rating conditions for extended periods may affect reliability.

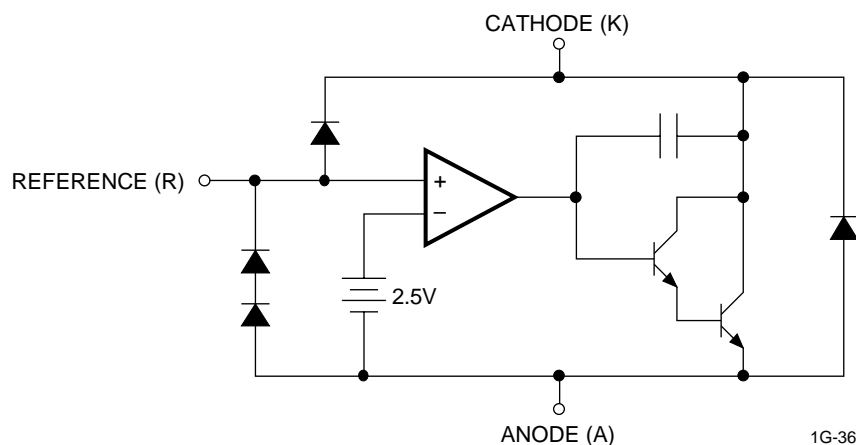
## RECOMMENDED CONDITIONS

SYMBOL	PARAMETER	RATING	UNIT
V <sub>KA</sub>	Cathode Voltage	V <sub>REF</sub> to 36	V
I <sub>K</sub>	Cathode Current	10	mA

## TYPICAL THERMAL RESISTANCES

PACKAGE	θ <sub>JA</sub>	θ <sub>JC</sub>	TYPICAL DERATING
TO-92	160°C/W	80°C/W	6.3mW/°C
SOIC	175°C/W	45°C/W	5.7mW/°C
SOT-89	110°C/W	8°C/W	9.1mW/°C

## FUNCTIONAL BLOCK DIAGRAM

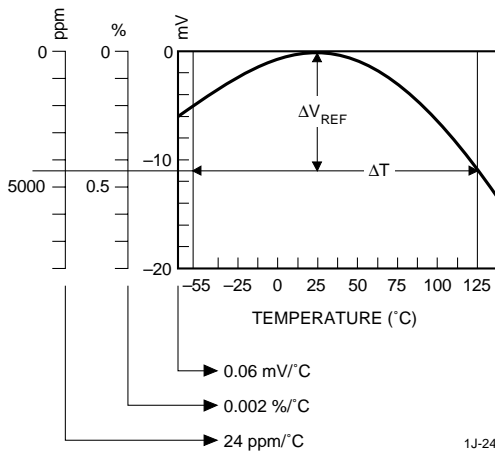


**ELECTRICAL CHARACTERISTICS**

Electrical characteristics are guaranteed over full junction temperature range (-55 to 125°C). Ambient temperature must be derated based on power dissipation and package thermal characteristics. The conditions are:  $V_{KA} = V_{REF}$  and  $I_K = 10\text{mA}$  unless otherwise stated.

SYMBOL	PARAMETER	MIN	TYP	MAX	UNIT	CIRCUIT	TEST CONDITION
$V_{REF}$	Reference Voltage	2.490	2.500	2.510	V	1	$T_A = 25^\circ\text{C}$
		2.470		2.530	V	1	Over Temp.
TC	$V_{REF}$ with Temp.*		0.06	0.16	mV/°C	1	
$V_{REF}$	Ratio of Change in $V_{REF}$ to Cathode Voltage	-2	-1.1		mV/V	2	$V_K = 3\text{V to }36\text{V}$
$I_{REF}$	Reference Input Current		0.7	1.9	$\mu\text{A}$	2	$R_1 = 10\text{k}; R_2 =$
$I_{REF}$	$I_{REF}$ Temp Deviation		0.4	1.2	$\mu\text{A}$	2	Over Temp.
$I_{K(MIN)}$	Min $I_K$ for Regulation		0.4	1	mA	1	
$I_{K(OFF)}$	Off State Leakage		0.04	250	nA	3	$V_{REF} = 0\text{V}, V_{KA} = 36\text{V}$
$Z_{KA}$	Dynamic Output Impedance		0.15	0.2	$\Omega$	1	$f \leq 1\text{kHz}, I_K = 1 \text{ to } 100\text{mA}$

**\*CALCULATING AVERAGE TEMPERATURE COEFFICIENT (TC)**

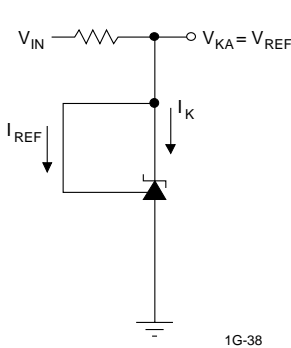


• TC in mV/°C =  $\frac{\Delta V_{REF} \text{ (mV)}}{\Delta T_A}$

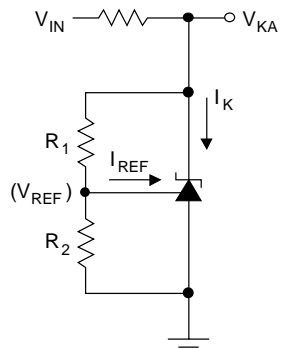
• TC in %/°C =  $\frac{\left(\frac{\Delta V_{REF}}{V_{REF} \text{ at } 25^\circ\text{C}}\right) \times 100}{\Delta T_A}$

• TC in ppm/°C =  $\frac{\left(\frac{\Delta V_{REF}}{V_{REF} \text{ at } 25^\circ\text{C}}\right) \times 10^6}{\Delta T_A}$

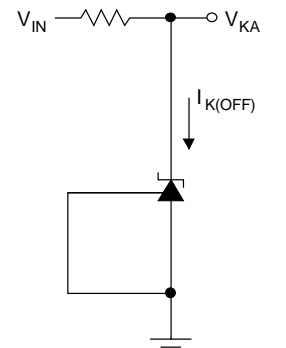
**TEST CIRCUITS**



**TEST CIRCUIT 1**



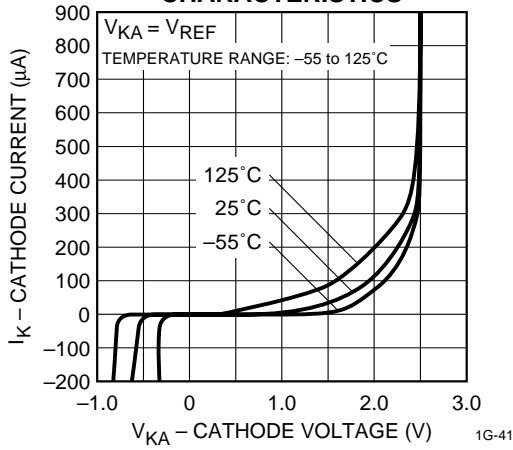
**TEST CIRCUIT 2**



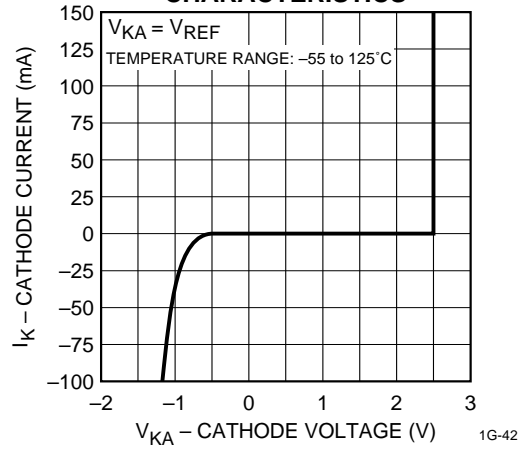
**TEST CIRCUIT 3**

TYPICAL PERFORMANCE CURVES

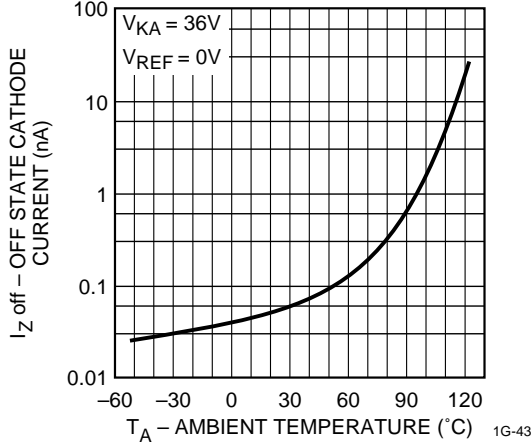
LOW CURRENT OPERATING CHARACTERISTICS



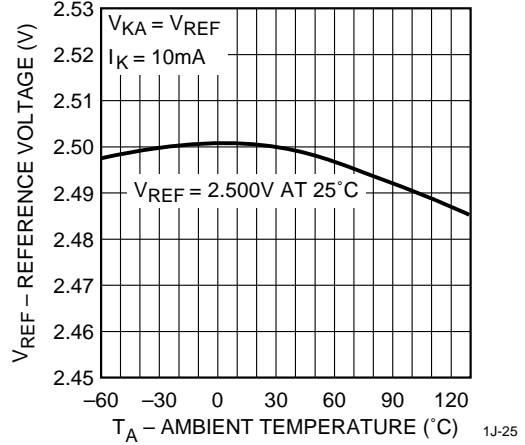
HIGH CURRENT OPERATING CHARACTERISTICS



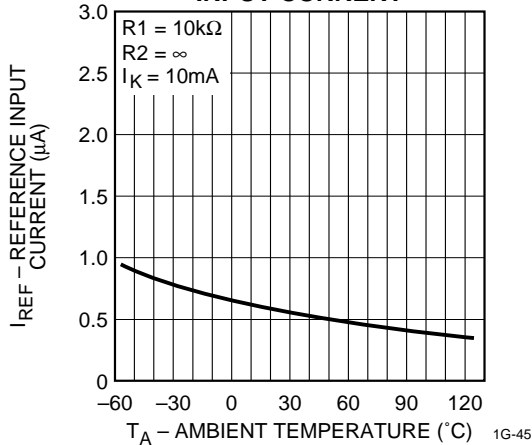
OFF STATE LEAKAGE



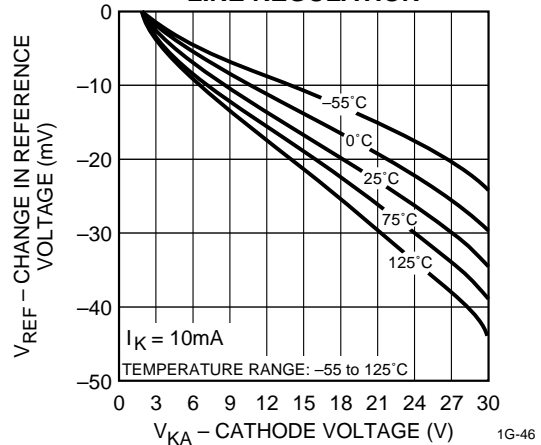
REFERENCE VOLTAGE vs AMBIENT TEMPERATURE



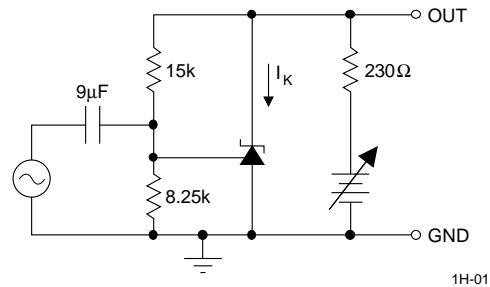
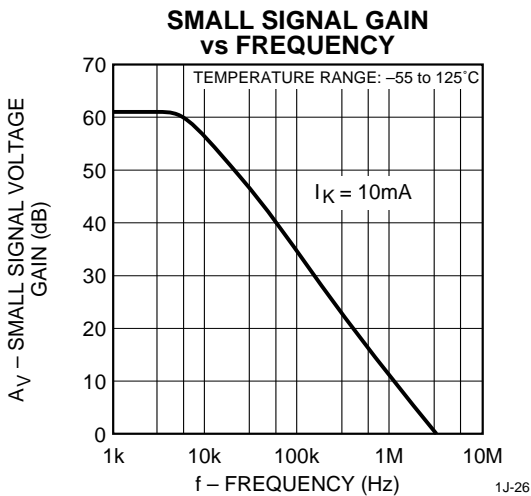
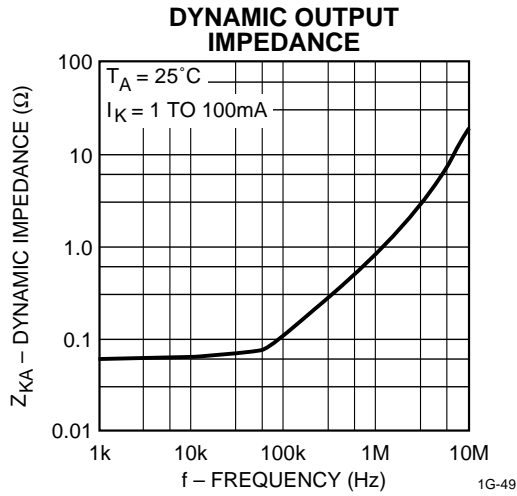
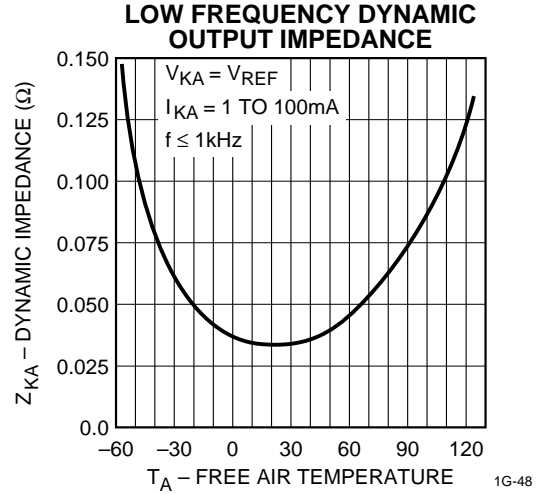
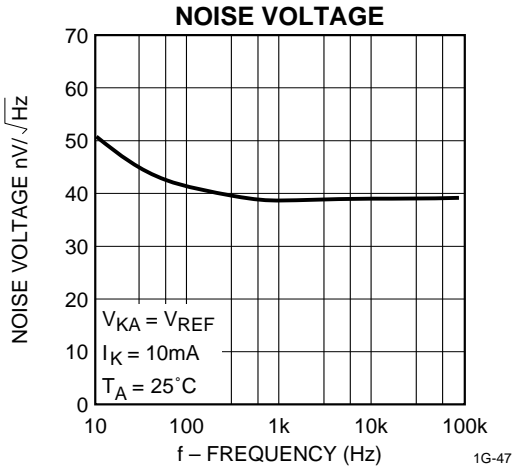
REFERENCE INPUT CURRENT



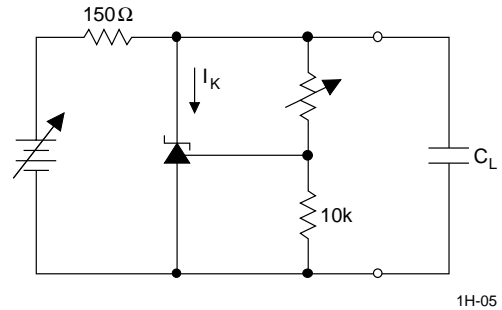
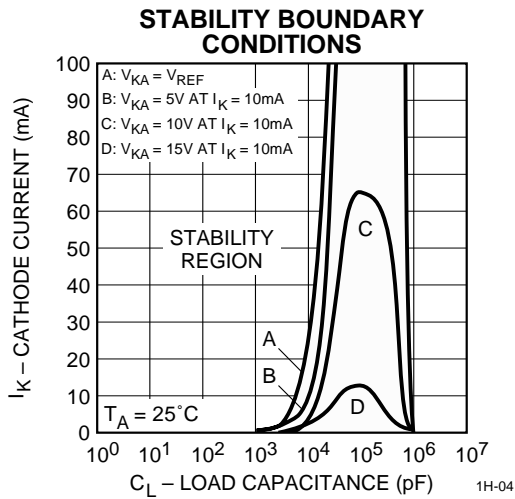
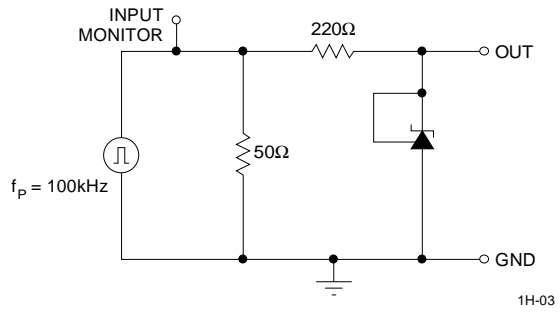
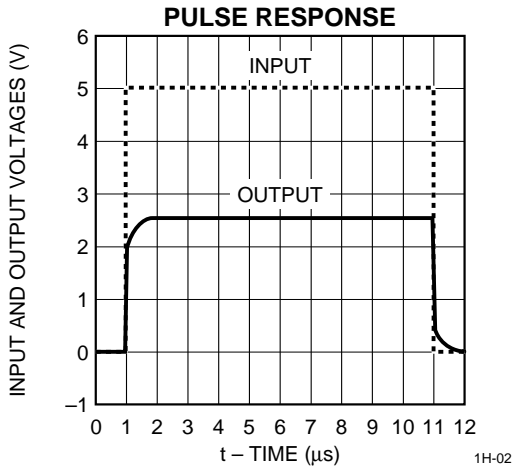
REFERENCE VOLTAGE LINE REGULATION



**TYPICAL PERFORMANCE CURVES (continued)**



TYPICAL PERFORMANCE CURVES (continued)



Information furnished by Calogic is believed to be accurate and reliable. However, no responsibility is assumed for its use: nor for any infringement of patents or other rights of third parties which may result from its use. No license is granted by implication or otherwise under any patent rights of Calogic.