

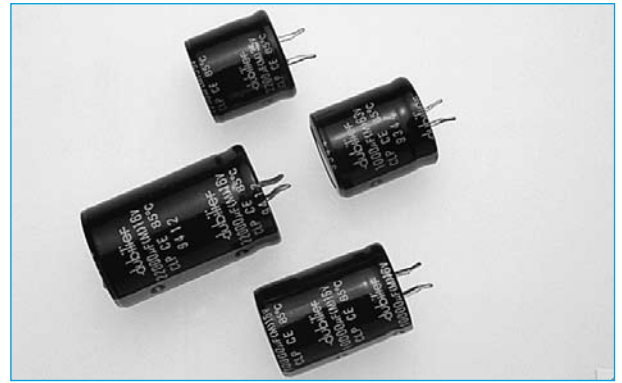
CAPACITORS

- Very high CV value
- Standard snap-in pin style
- 2000 hour long-life grade

The CLP is a snap-in electrolytic capacitor featuring the very highest volumetric efficiency ever offered by Dubilier.

The product is suitable for all applications requiring high CV values, and the high-voltage parts are particularly suited to SMPS units.

ALUMINIUM ELECTROLYTIC STANDARD TEMP. SNAP-IN CLP



SPECIFICATION

Item	Performance Characteristics								
	Voltage Range	16~100V				160~450V			
Capacitance Range	470~68000μF				47~2700μF				
Temperature Range	-40~ +85°C				-25~ +85°C				
Capacitance Tolerance	-20~ +20°C (at 20°C, 120Hz)								
Leakage Current	1=0.02CV (μA) (After 5 minutes)								
Dissipation Factor (tan δ)	Rated Voltage(v)	16	25	35~50	63~100	160~200	250~450		
	D.F.(%)	40	35	35	20	10*	15		
	Note * (15%) for case size D L (mm) = 35x20								
	The Value of D.F.(%) is increased by 2% for every addition of 1000μF								
	Rated Voltage(v)	16	25	35	05-63	80-100	160-400	450	
	Z(-25°C)/Z(20°C)	5	4	4	3	3	4	8	
Z(-40°C)/Z(20°C)	18	15	10	10	10	8	-		
Load Life	The following specifications shall be satisfied when the capacitors are restored to 20°C after the rated voltage applied for 2000 hours at 85°C.								
	Capacitance Change	Within ± 20% of initial value							
	D.F. tan δ	200% or less of initial specified value							
	Leakage Current	Initial specified value or less							
Shelf Life	At 85°C no voltage applied after 500 hours the capacitors shall meet the following limits								
	Capacitance Change	≤ ± 20% of initial value							
	Dissipation Factor	≤ 150% of initial specified value							
	Leakage Current	Not exceed initial specified value							

ORDERING INFORMATION

CLP	1000	CF	200
Range	Capacitance	Case code (see below)	Voltage
Two letter case code CF = 30mm dia. x 45mm height.			
Diameter	Height (length)		
A = 22.4mm	A = 20mm		
B = 25mm	B = 25mm		
C = 30mm	C = 30mm		
D = 35.5mm	D = 35mm		
	E = 40mm		
	F = 45mm		
	G = 50mm		

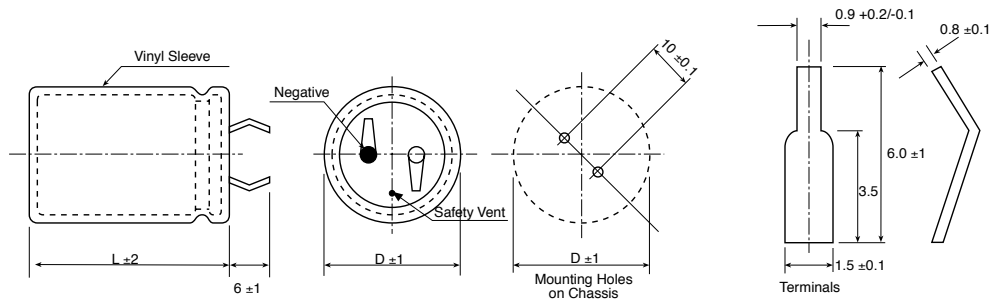
AMBIENT TEMP./MULTIPLYING FACTOR

Temperature coefficient				
Temperature (C)	45	60	70	85
Factor	1.48	1.42	1.30	1.00

FREQUENCY/MULTIPLYING FACTOR

Frequency coefficient					
Frequency (Hz)	50	60	120	1K	10K-00K
6.3-100V	0.88	0.90	1.00	1.15	1.16
160-250V	0.75	0.78	1.00	1.16	1.23
350-450V	0.74	0.76	1.00	1.10	1.15

OUTLINE DRAWING



RANGE

W.V.	Cap [μF]	Case Size øDxL[mm]	Max Ripple Current [A] rms (120Hz/85°C)
16V	10000	22.4x30	2.60
		25x25	
	15000	22.4x35	3.30
		25x30	
	18000	22.4x40	3.70
		25x30	
	22000	25x40	4.20
		30x30	
	27000	25x45	4.65
		30x35	
	33000	30x40	5.60
		35.5x30	
	39000	30x45	6.00
		35.5x35	
47000	30x50	6.80	
	35.5x40		
56000	35.5x45	7.60	
	35.5x50		
25V	5600	22.4x25	2.00
		22.4x30	
	6800	22.4x30	2.30
		25x25	
	8200	25x25	2.70
		25x30	
	10000	25x30	2.80
		30x25	
	15000	22.4x50	3.70
		25x40	
	18000	25x45	4.20
30x35			
22000	30x40	4.80	
	30x45		

W.V.	Cap [μF]	Case Size øDxL[mm]	Max Ripple Current [A] rms (120Hz/85°C)
25V	33000	30x50	6.50
		35.5x40	
	39000	35.5x45	7.50
35V	3300	22.4x25	1.80
		22.4x30	
	4700	22.4x30	2.20
		25x25	
	6800	25x30	2.60
		25x40	
	10000	30x30	3.10
		25x50	
	15000	30x40	4.10
		30x45	
	18000	30x45	4.60
30x50			
22000	30x50	5.30	
	35.5x40		
27000	35.5x50	6.9	
	22.4x25		
50V	2200	22.4x25	1.70
		22.4x30	
	4700	22.4x40	2.40
		25x35	
	6800	30x30	3.80
30x45			
10000	35.5x35	4.80	

W.V.	Cap [μF]	Case Size øDxL[mm]	Max Ripple Current [A] rms (120Hz/85°C)
50V	15000	35x45	3.80
		35.5x40	
	22000	35.5x50	6.70
63V	1500	22.4x25	1.60
		22.4x30	
	2200	22.4x30	2.0
		25x25	
	2700	22.4x35	2.30
		25x30	
	3300	22.4x40	2.30
		25x30	
		30x25	
	3900	22.4x45	2.50
		25x35	
30x30			
4700	22.4x50	3.30	
	25x40		
	35.5x25		
6800	30x40	3.60	
	35.5x30		
8200	30x45	4.80	
	35.5x35		
10000	35.5x40	4.80	
	22.4x30		
80V	1500	22.4x30	1.70
		22.4x35	
	1800	22.4x35	1.90
		25x30	
	2200	22.4x40	2.1
		25x30	
		30x25	
	2700	22.4x45	2.50
		25x35	
		30x30	
	3300	22.4x50	2.80
25x40			
30x30			
3900	25x45	3.10	
	30x35		

Other values/ sizes by request

W.V.	Cap [μF]	Case Size øDxL[mm]	Max Ripple Current [A] rms (120Hz/85°C)	
80V	4700	25x50	3.60	
		30x40		
	6800	30x50	4.10	
		35.5x40		
100V	1000	22.4x30	1.40	
		25x25		
	1500	22.4x40	1.70	
		25x30		
		30x25		
	1800	22.4x45	2.10	
		25x35		
		30x30		
	2200	22.4x50	2.20	
		25x40		
		30x30		
	2700	25x45	2.64	
		30x35		
	3300	25x50	3.0	
		30x40		
	3900	30x45	3.40	
		35.5x35		
	4700	30x50	4.01	
	160V	470	22.4x30	1.70
			25x25	
680		22.4x40	2.10	
		30x25		
1000		25x45	2.70	
		30x35		
		35.5x30		
1500		30x45	3.50	
		35.5x35		
1800		30x50	3.90	
	35.5x40			
2200	35.5x45	4.50		
200V	470	22.4x35	1.80	
		25x30		
		30x25		
	1000	25x50	2.80	
		30x40		
		35.5x30		
	1500	30x50	3.80	
35.5x40				
1800	35.5x45	3.79		
250V	220	22.4x30	1.15	
		25x25		
	330	22.4x35	1.40	
		25x30		
		30x25		

W.V.	Cap [μF]	Case Size øDxL[mm]	Max Ripple Current [A] rms (120Hz/85°C)
250V	470	22.4x45	1.80
		25x40	
		30x30	
	1000	30x50	3.00
35.5x40			
400V	47	22.4x25	0.45
	68	22.4x25	0.55
	100	22.4x30	0.70
		25x25	
	220	22.4x50	1.10
		25x40	
		30x30	
330	30x40	1.60	
470	35.5x45	2.10	
450V	47	22.4x25	0.50
	100	22.4x35	0.70
		25x30	
	220	25x50	1.20