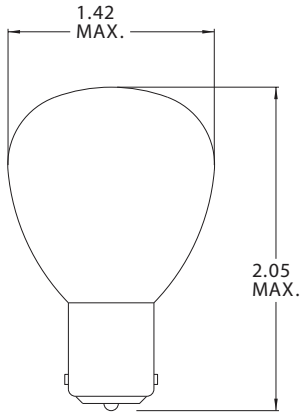
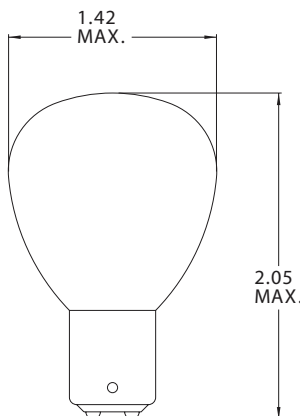


RP-11 Single Contact Bayonet Base



| Part Number | Design Voltage | Amps | MSCP | Life Hours | Filament Type |
|-------------|----------------|------|-------|------------|---------------|
| CM1183 | 5.5 | 6.25 | 50.0 | 100 | C-2V |
| CM1105 | 6.2 | 5.72 | 50.0 | 125 | C-2V |
| CM1133 | 6.2 | 3.91 | 32.0 | 200 | C-2R |
| CM1143 | 12.5 | 1.98 | 32.0 | 400 | C-2R |
| CM1195 | 12.5 | 3.00 | 50.0 | 300 | C-2V |
| CM1293 | 12.5 | 3.00 | 50.0 | 300 | C-2R |
| CM1139 | 12.8 | 1.04 | 15.0 | 700 | C-6 |
| CM1041 | 22.0 | 1.50 | 50.0 | 100 | C-2V |
| CM1145 | 22.0 | .96 | 27.0 | 100 | C-2V |
| CM1047 | 26.0 | 2.70 | 105.0 | 25 | 2CC-6 |

RP-11 Double Contact Bayonet Base



| Part Number | Design Voltage | Amps | MSCP | Life Hours | Filament Type |
|-------------|----------------|------|------|------------|---------------|
| CM1184 | 5.5 | 6.25 | 50.0 | 100 | C-2V |
| CM1000 | 6.2 | 3.90 | 32.0 | 125 | C-2V |
| | 6.2 | 3.98 | 32.0 | 125 | C-2V* |
| CM1134 | 6.2 | 3.91 | 32.0 | 200 | C-2R |
| CM1096 | 12.5 | 3.00 | 50.0 | 300 | C-2V |
| CM1124 | 12.5 | 1.92 | 32.0 | 300 | 2C-2R* |
| | 12.5 | 1.92 | 32.0 | 300 | |
| CM1144 | 12.5 | 1.98 | 32.0 | 400 | C-2R |
| CM1054 | 32.0 | .74 | 32.0 | 100 | C-2V |
| CM1056 | 32.0 | 1.15 | 50.0 | 100 | C-7A |
| CM1230 | 32.0 | .55 | 21.0 | 100 | C-2V |
| CM1062 | 40.0 | .92 | 50.0 | 100 | C-5 |
| CM1150 | 44.0 | .47 | 21.0 | 150 | C-13 |

* Dual Filament Lamp