

DESCRIPTION

The CM2221 and CM2222 are remote control transmitters utilizing CMOS Technology specially designed for use on infrared remote control applications. They are pin-to-pin compatible with NEC μ PD6121 and μ PD6122 respectively. CM2221 is packaged in 20 pins SO and capable of controlling 32 functions and 3 double keys. CM2222, on the other hand, is housed in 24 pins SO and capable of controlling 64 function keys and 3 double keys. CM2221/2 may be paired with 8112 to construct a powerful remote control system.

FEATURES

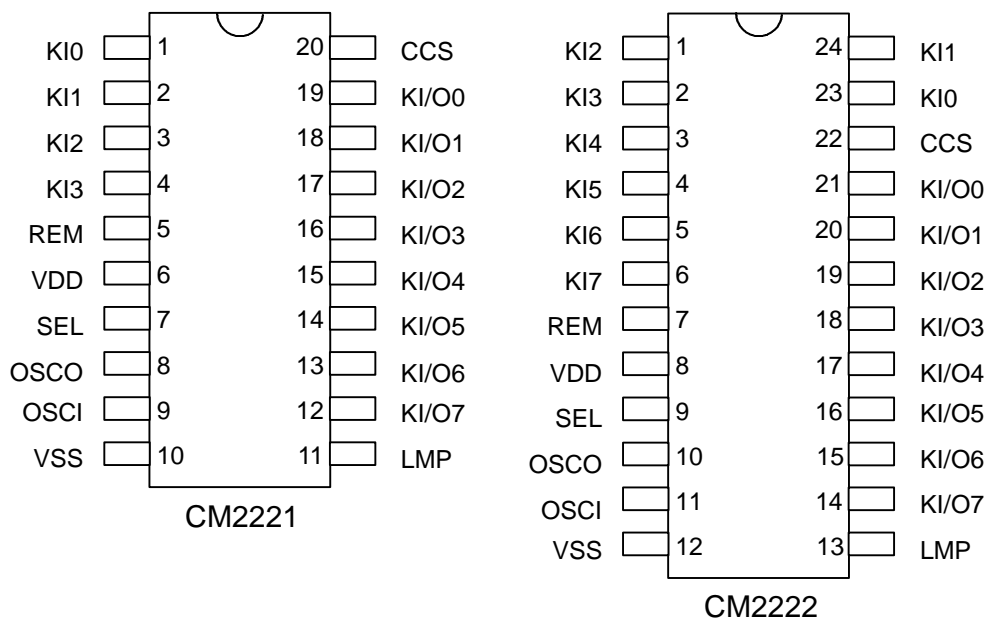
- CMOS Technology
- Low Power Consumption (VDD=2.0 ~ 5.5 V)
- Pin-to-Pin Compatible with μ PD6121/ μ PD6122
- Using SEL pin, CM2221 can support 64+6 function codes
- Using SEL pin, CM2222 can support 128+6 function codes
- Customer Code can be selected (please contact Ceramate for details)

Applications

- Audio Equipment
- Television (TV)
- Cable TV Tuner
- Video Cassette Recorder (VCR)
- Cassette Deck
- Air Conditioner
- Video Compact Disk (VCD)
- DVD ROM/Player
- Moniputer /Multi-Media Personal Computer System

* All specs and applications shown above subject to change without prior notice.

PIN CONFIGURATION



ORDER INFORMATION

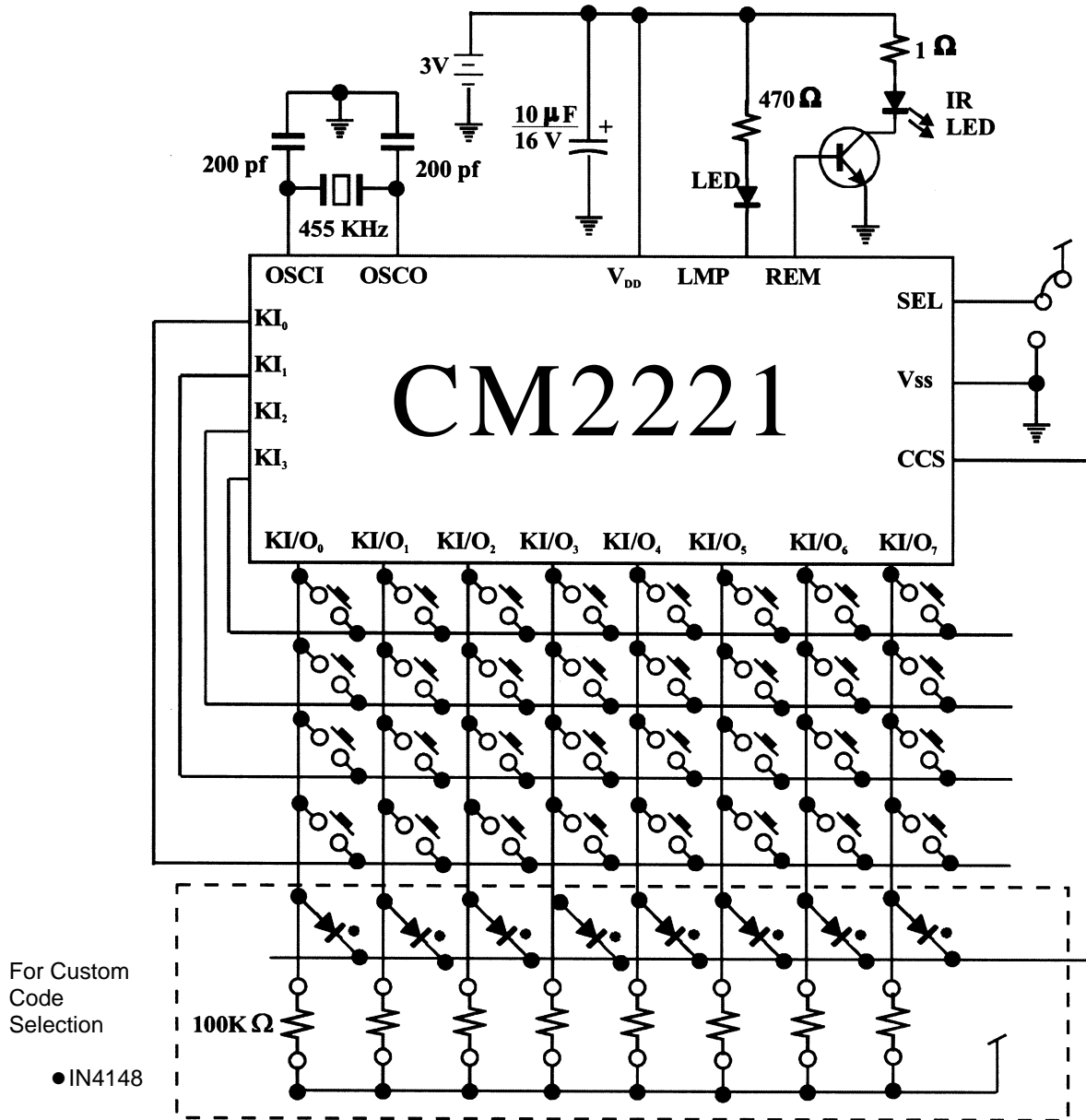
Valid Part Number	Package
CM2221-001	20 Pins, SO
CM2222-001	24 Pins, SO
CM2221-002	20 Pins, SO
CM2222-002	24 Pins, SO

* All specs and applications shown above subject to change without prior notice.

Electronic Characteristic

Symbol	Parameter	Test Condition		Min.	Typ.	Max.	Unit
		V _{DD}	Condition				
VDD	Operating Voltage	--	--	2.0	3	5	V
ISTB	Stand-by Current	3V	Oscillator stops.			1	µA
IDD	Operating Current	3V	Fosc=455KHZ NO LOAD	--	100	200	µA
IOH1	Output Source Current for DOUT	3V	V _o =1.5V	-5	-12	--	mA
IOL1	Output Sink Current for DOUT	3V	V _o =0.3V	15	30	--	µA
IOH2	Output Source Current for LED	3V	V _o =2.7V	-15	-30	--	µA
IOL2	Output Source Current for LED	3V	V _o =0.3V	1	1.5	--	mA
IOH3	Output Source Current for C1~C8	3V	V _o =2.5V	1	2.5	--	mA
IOL3	Output Sink Current for C1~C8	3V	V _o =1.7V	35	100	--	µA
VIH1	Input High Voltage for R1~R8	3V	--	1.9	--	3	V
VIL1	Input Low Voltage for R1~R8	3V	--	0	--	1.1	V
VIH2	Input High Voltage for C1~C8	3V	--	1.9	--	3	V
VIL2	Input Low Voltage for C1~C8	3V	--	0	--	1.1	V
VIH3	Input High Voltage for AIN	3V	--	1.9	--	3	V
VIL3	Input Low Voltage for AIN	3V	--	0	--	1.1	V

* All specs and applications shown above subject to change without prior notice.

CM2221 APPLICATION CIRCUIT


Note: The V_{CC} and V_{SS} Terminals must be "SHORT" before the batteries are loaded to the transmitter handset to insure that CM2221 Power On Reset Function will operate properly.

* All specs and applications shown above subject to change without prior notice.

1F-5 NO.66 SEC.2 NAN-KAN RD., LUCHU, TAOYUAN, TAIWAN, R.O.C

Tel:886-3-3529445

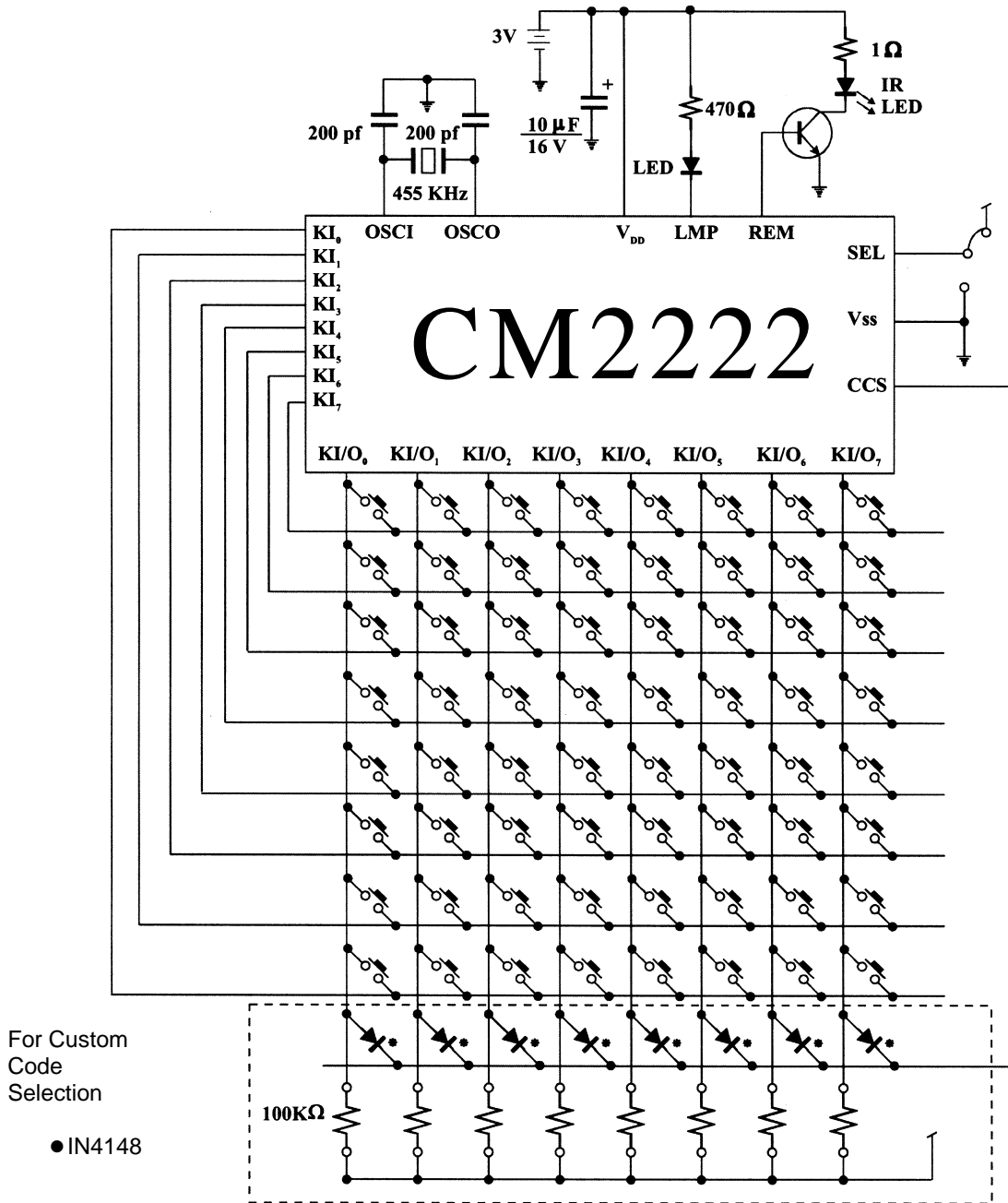
Fax:886-3-3521052

Email: server@ceramate.com.tw

Http: www.ceramate.com.tw

Rev 1.1 Jan 2,2002

CM2222 APPLICATION CIRCUIT



Note: The V_{CC} and V_{SS} Terminals must be "SHORT" before the batteries are loaded to the transmitter handset to insure that CM2222 Power On Reset Function will operate properly.

* All specs and applications shown above subject to change without prior notice.