

NEW

CMSH5-20
CMSH5-40
CMSH5-60
CMSH5-100

**HIGH DENSITY
SCHOTTKY BARRIER RECTIFIER
5.0 AMP, 20 THRU 100 VOLTS**

**HIGH DENSITY
S C H O T T K Y**



SMC CASE

FEATURES:

- LOW COST
- SUPERIOR LOT TO LOT CONSISTENCY
- HIGH RELIABILITY
- "C" BEND CONSTRUCTION PROVIDES STRAIN RELIEF WHEN MOUNTED ON PC BOARD
- SPECIAL SELECTIONS AVAILABLE

DESCRIPTION:

The CENTRAL SEMICONDUCTOR 5.0 Amp Surface Mount Silicon Schottky Rectifier is a high quality, well constructed, highly reliable component designed for use in all types of commercial, industrial, entertainment, computer, and automotive applications. To order devices on 16mm Tape and Reel (3000/13" Reel), add TR13 suffix to part number.

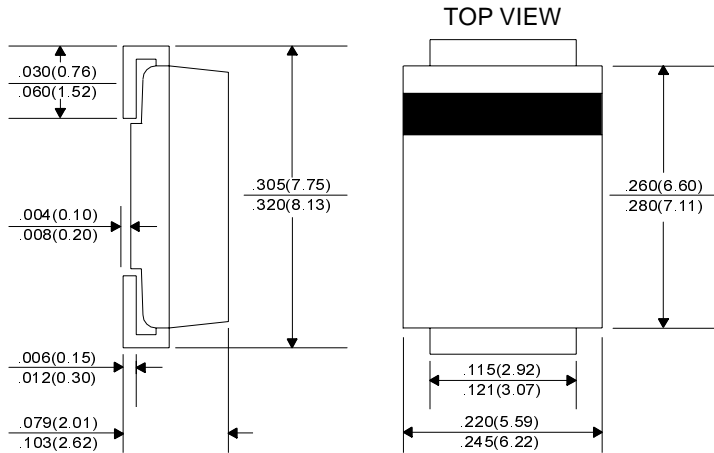
MAXIMUM RATINGS: ($T_A=25^\circ\text{C}$ unless otherwise noted)

	SYMBOL	CMSH5 <u>-20</u>	CMSH5 <u>-40</u>	CMSH5 <u>-60</u>	CMSH5 <u>-100</u>	UNITS
Peak Repetitive Reverse Voltage	V_{RRM}	20	40	60	100	V
DC Blocking Voltage	V_R	20	40	60	100	V
RMS Reverse Voltage	$V_R(\text{RMS})$	14	28	42	71	V
Average Forward Current ($T_A=75^\circ\text{C}$)	I_O			5.0		A
Peak Forward Surge Current (8.3ms)	I_{FSM}			125		A
Operating and Storage Junction Temperature	T_J, T_{stg}			-65 to +150		$^\circ\text{C}$
Thermal Resistance	Θ_{JL}			10		$^\circ\text{C/W}$

ELECTRICAL CHARACTERISTICS: ($T_A=25^\circ\text{C}$ unless otherwise noted)

SYMBOL	TEST CONDITIONS	MIN	TYP	MAX	UNITS
I_R	$V_R=\text{Rated } V_{RRM}$			3.0	mA
I_R	$V_R=\text{Rated } V_{RRM}, T_A=100^\circ\text{C}$			20	mA
V_F	$I_F=5.0\text{A (CMSH5-20 AND CMSH5-40)}$			0.55	V
V_F	$I_F=5.0\text{A (CMSH5-60)}$			0.75	V
V_F	$I_F=5.0\text{A (CMSH5-100)}$			0.85	V

All Dimensions in Inches (mm).



Marking Codes:

DEVICE	MARKING CODE
CMSH5-20	CS520
CMSH5-40	CS540
CMSH5-60	CS560
CMSH5-100	CS5100