

D/018/3 April 1999

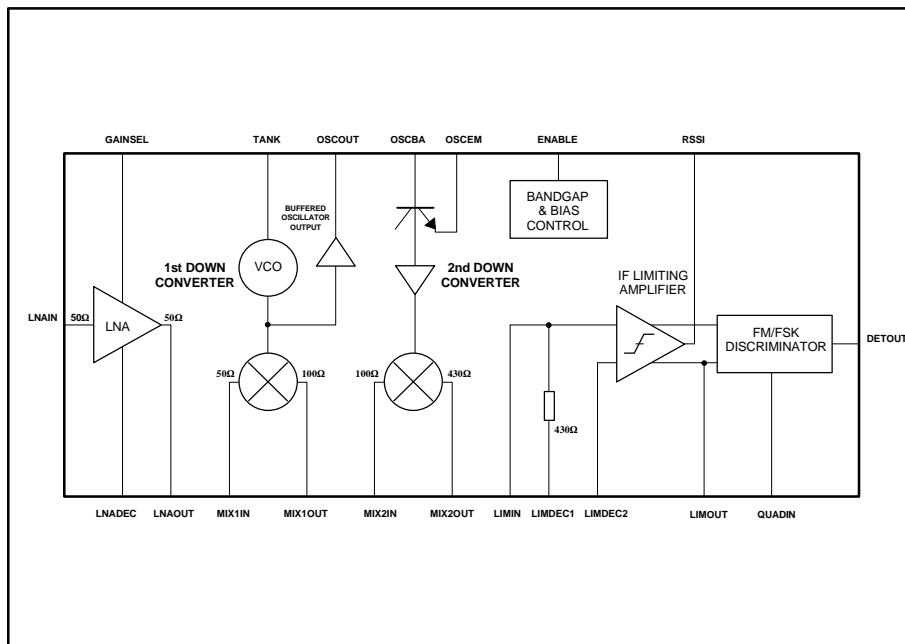
Advance Information

### Features

- Double Conversion Super-Heterodyne Receiver and FM/FSK Demodulator
- LNA with Switched Gain
- High Performance UHF Down-Converter Stage with Integrated VCO
- 2.7V Operation
- Zero-Power Mode (<10 $\mu$ A)
- 28-Pin SSOP Package
- Temperature Compensated RSSI

### Applications

- High Performance Analogue/Digital Radio Links (860-965MHz)
- General ISM 915MHz Band
- Analogue/Digital Cordless Phones
- Spread Spectrum Receivers
- Analogue FM Receivers
- Handheld Data Terminals
- So-Ho Wireless Data Links



### 1.1 Brief Description

The CMX018 is a single chip UHF FM/FSK double-conversion super-heterodyne receiver. It combines a dual gain mode Low Noise Amplifier (LNA), two down-converters (including integrated oscillators), limiting amplifier, RSSI, FM/FSK demodulator and zero-power mode control.

The CMX018 can be used in conjunction with the CMX017, an integrated FM/FSK modulator and transmitter, to implement a complete UHF radio link.

## CONTENTS

<u>Section</u>	<u>Page</u>
<b>1.0 Features and Applications .....</b>	<b>1</b>
<b>1.1 Brief Description .....</b>	<b>1</b>
<b>1.2 Internal Block Diagram .....</b>	<b>3</b>
<b>1.3 Signal List .....</b>	<b>4</b>
<b>1.4 External Components .....</b>	<b>6</b>
<b>1.5 General Description .....</b>	<b>7</b>
<b>1.5.1 Low Noise Amplifier .....</b>	<b>7</b>
<b>1.5.2 First Down-Converter .....</b>	<b>7</b>
<b>1.5.3 Second Down-Converter .....</b>	<b>7</b>
<b>1.5.4 Limiting Amplifier and RSSI .....</b>	<b>7</b>
<b>1.5.5 FM/FSK Demodulator .....</b>	<b>8</b>
<b>1.5.6 Zero-Power Mode .....</b>	<b>8</b>
<b>1.6 Application Notes .....</b>	<b>9</b>
<b>1.6.1 General .....</b>	<b>9</b>
<b>1.6.2 Example Schematic and Layout .....</b>	<b>9</b>
<b>1.7 Performance Specification .....</b>	<b>12</b>
<b>1.7.1 Electrical Performance .....</b>	<b>12</b>
<b>1.7.2 Packaging .....</b>	<b>15</b>
<b>1.7.3 Handling Precautions .....</b>	<b>15</b>

**Note:** As this product is still in development, it is likely that a number of changes and additions will be made to this specification. Items marked TBD or left blank will be included in later issues. Information in this data sheet should not be relied upon for final product design.

## 1.2 Internal Block Diagram

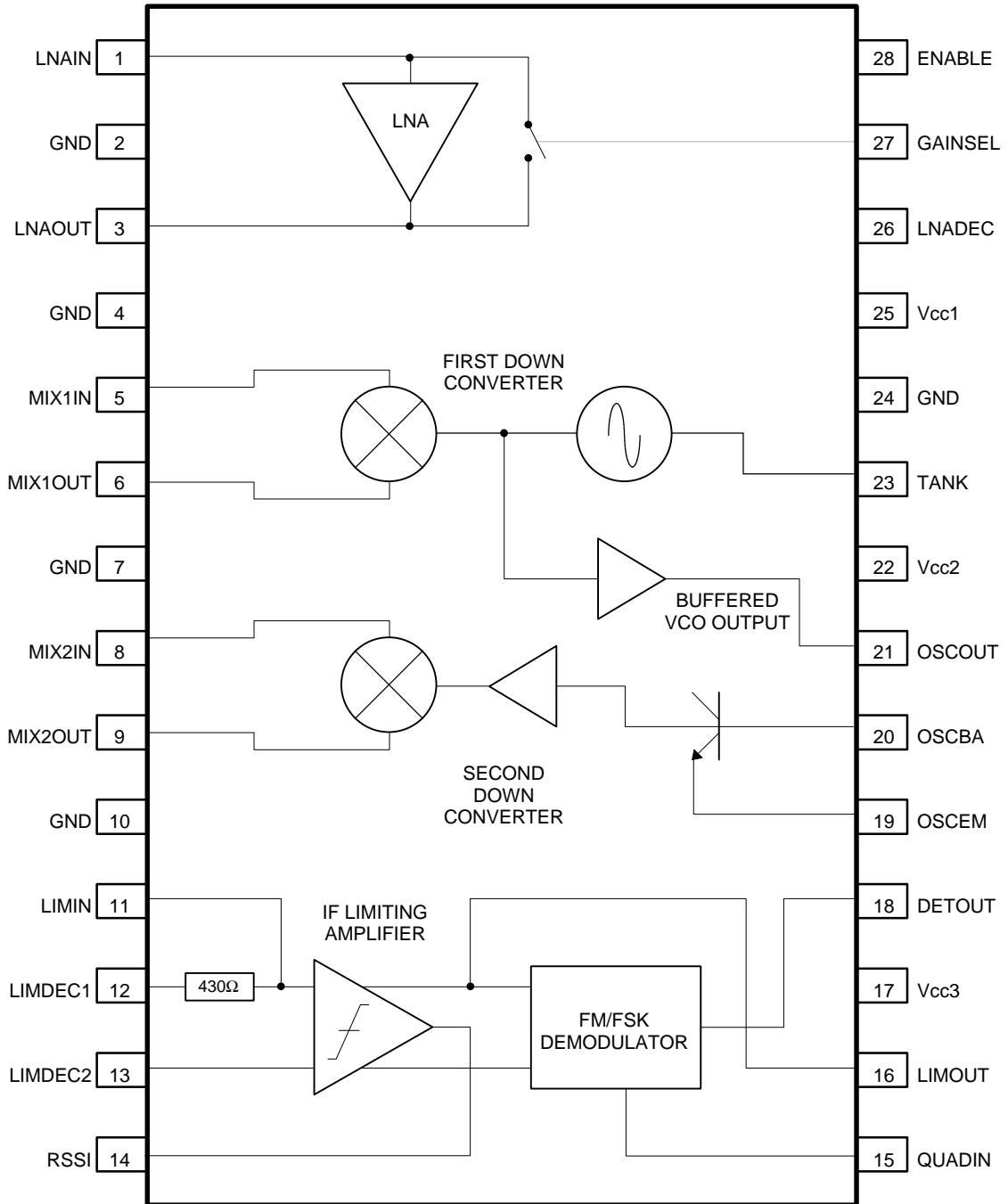


Figure 1 Internal Block Diagram

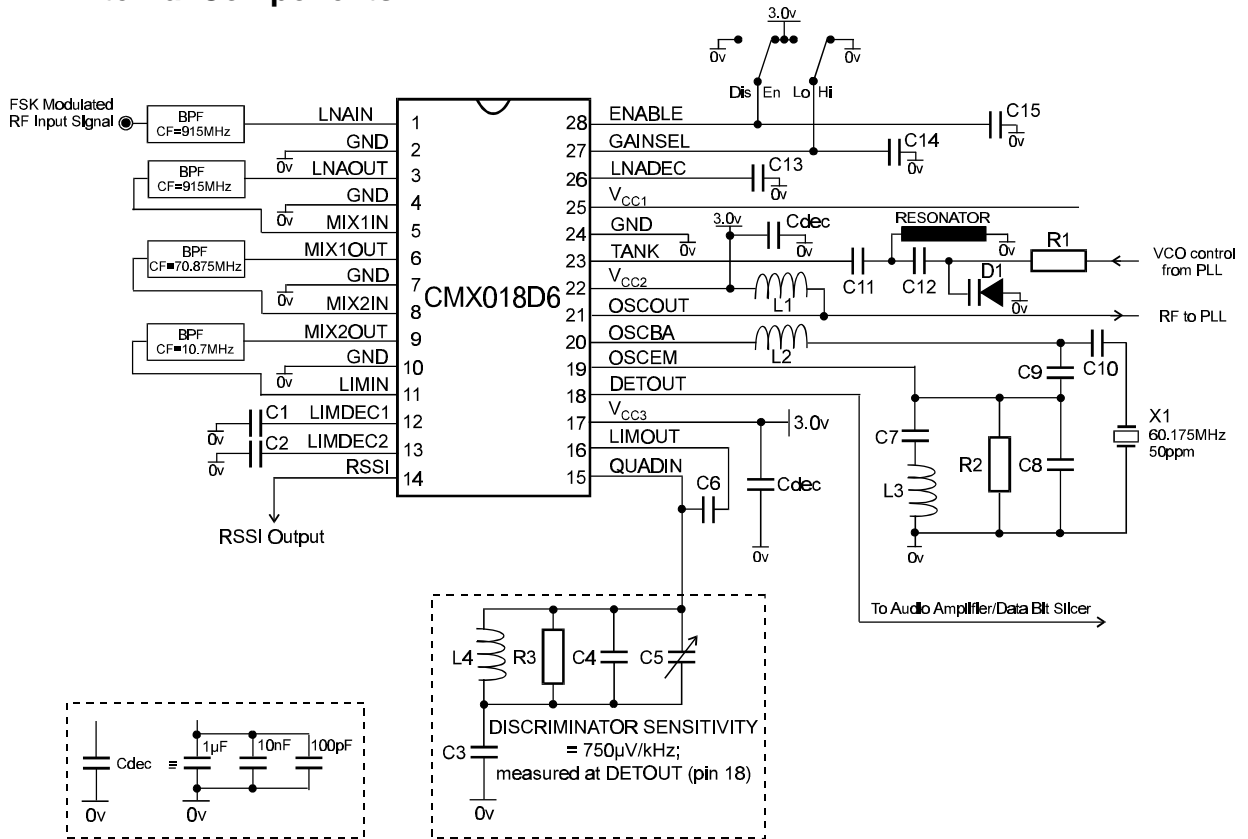
### 1.3 Signal List

Package D6		Signal		Description
Pin No.	Name	Type		
1	LNAIN	I/P		LNA RF Input
2	GND	GROUND		LNA Ground connection
3	LNAOUT	O/P		LNA RF Output
4	GND	GROUND		LNA Ground connection
5	MIX1IN	I/P		RF Input to the First Down-Converter
6	MIX1OUT	O/P		IF Output from the First Down-Converter
7	GND	GROUND		First Down-Converter Ground connection
8	MIX2IN	I/P		RF Input to the Second Down-Converter
9	MIX2OUT	O/P		IF Output from the Second Down-Converter
10	GND	GROUND		Second Down-Converter, Limiting Amplifier, RSSI and Demodulator stages - Ground connection
11	LIMIN	I/P		Input to the Limiting Amplifier
12	LIMDEC1	I/P		External Decoupling capacitors - one required at each Limiting Amplifier Input
13	LIMDEC2	I/P		
14	RSSI	O/P		Receive Signal Strength Indicator output
15	QUADIN	I/P		Quadrature input to the FM Demodulator
16	LIMOUT	O/P		Output from the Limiting Amplifier
17	Vcc3	POWER		Power supply to the Second Down-Converter, Limiting Amplifier, RSSI and Demodulator stages - nominally 3.0V
18	DETOUR	O/P		Output of the FM/FSK Quadrature Demodulator
19	OSCEM			Emitter connection to the Second Down-Converter Local Oscillator transistor
20	OSCBA			Base connection to the Second Down-Converter Local Oscillator transistor
21	OSCOUR	O/P		Buffered Local Oscillator (Open-Collector) output from the First Down-Converter
22	Vcc2	POWER		First Down-Converter Power supply - nominally 3.0V

Package D6	Signal		Description
Pin No.	Name	Type	
23	TANK	I/P	First Down-Converter Local Oscillator (VCO) TANK/resonator connection
24	GND	GROUND	First Down-Converter VCO Ground connection
25	Vcc1	POWER	LNA Power supply - nominally 3.0V
26	LNADEC		External LNA bias decoupling capacitor
27	GAINSEL	CMOS I/P	LNA Gain control logic input. A logic '0' provides a typical power gain of 16dB and a logic '1' provides an attenuation of 6dB
28	ENABLE	CMOS I/P	Zero-Power logic control. A logic '0' powers down the device.

**Notes:** I/P = Input  
O/P = Output

## 1.4 External Components



### Component Values:

X1	60.175MHz	50ppm Xtal
L1	22nH	
L2	680nH	
L3	680nH	
L4	1µH	
D1	Varactor	Varactor Diode, type SMV1233-011
~	Resonator	Co-Axial Resonator, type RG402, length = 11mm, shorted end.
C1	100nF	
C2	100nF	
C3	100nF	
C4	200pF	
C5	8 - 50pF	Trimmer
C6	5pF	
C7	220pF	
C8	6.8pF	
C9	15pF	
C10	33pF	
C11	4.7pF	
C12	6.2pF	
C13	10nF	
C14	100pF	
C15	100pF	
R1	10kΩ	
R2	10kΩ	
R3	2.0kΩ	

NOTE: Components are surface mount, type SMD0603, unless otherwise marked.

Figure 2 Example of CMX018 with External Components

## 1.5 General Description

The CMX018 is a single chip UHF FM/FSK double-conversion super-heterodyne receiver. It combines a dual gain mode Low Noise Amplifier (LNA), two down-converters (including integrated oscillators), limiting amplifier, RSSI, FM/FSK demodulator and zero-power mode control.

The receiver frequency is selected using an external PLL or synthesizer which is driven by the buffered RF oscillator signal from the first down-converter.

The CMX018 can be used in conjunction with the CMX017, an integrated FM/FSK modulator and transmitter, to implement a complete UHF radio link.

### 1.5.1 Low Noise Amplifier

The LNA includes a switched gain function which is used to increase the dynamic range of the receiver. The gain is selected using the GAINSEL logic input at pin 2. With a logic '0' at the GAINSEL input a high gain is selected and the amplifier achieves the lowest noise figure. This mode is used where maximum sensitivity is required for low level input signals. Where high level signals are present at the receiver input, which cause difficulties due to inter-modulation, the gain of the LNA can be reduced by typically 22dB from about +16dB to about -6dB. The attenuation is selected by applying a logic '1' at the GAINSEL input, this minimises the amount of non-linear distortion in the overall receiver at the expense of small signal sensitivity. The input and output impedances of the LNA are typically 50Ω.

### 1.5.2 First Down-Converter

The first down-converter includes a double balanced mixer with a low noise pre-amplifier and on-chip oscillator components. The oscillator is configured as a "high-sided" voltage controlled local oscillator, using an external varicap diode and tank resonator circuit, such that the first IF is typically centred at 70MHz. A buffered oscillator signal (OSCOOUT at pin 21) is provided to drive the frequency synthesizer which controls the frequency tuning. The input impedance is typically 50Ω and the output impedance is typically 100Ω.

### 1.5.3 Second Down-Converter

The second down-converter also includes a double balanced mixer with a low noise pre-amplifier and on-chip oscillator components. The oscillator is configured as a "low-sided" local oscillator, using an external crystal at typically 60MHz, such that the second IF is centred at 10.7MHz. The input impedance is typically 100Ω and the output impedance is typically 430Ω.

### 1.5.4 Limiting Amplifier and RSSI

The limiting amplifier provides the IF amplification and limiting prior to the FM/FSK demodulator. An RSSI circuit is included which has temperature compensation. An RF signal level of -100dBm at the LNA input will produce an RSSI voltage of typically **TBD** mV. The RSSI voltage will increase with increasing RF input level at a rate of 20mV/dB up to a typical voltage of **TBD** V at a -60dBm RF input. In practice the absolute RSSI voltage will depend upon the insertion losses associated with each of the IF filters. The input impedance is typically 430Ω.

### **1.5.5 FM/FSK Demodulator**

A quadrature detector is employed together with an external discriminator and phase shift network to demodulate the FM or FSK signal.

### **1.5.6 Zero-Power Mode**

The device is powered down by applying a logic '0' level at the ENABLE input (pin 28). In this mode the device current is reduced to less than 10 $\mu$ A. This feature is useful when the device is operating within a transceiver where the receiver needs to be enabled and disabled.

A delay should be allowed for the receiver to settle after power-up. This is likely to be less than the xtal oscillator stabilisation time, which may be altered by adjusting the value of R2, shown in Figure 2.



## 1.6 Application Notes

### 1.6.1 General

*TBD*

### 1.6.2 Example Schematic and Layout

The following schematic (Figure 3) and printed circuit layout (Figure 4) show a typical application interface for the CMX018. To aid legibility, the schematic and layout are available electronically from the CML website <http://www.cmlmicro.co.uk> or on floppy disk by request from CML's office. Alternative components and component values are shown on the schematic. These should be selected according to the intended application. The schematic uses the following ICs:

U2	Motorola	MC34072D-SO8
U3	IC Works	WB1315X
U4	Analog Devices	AD8532-SO8

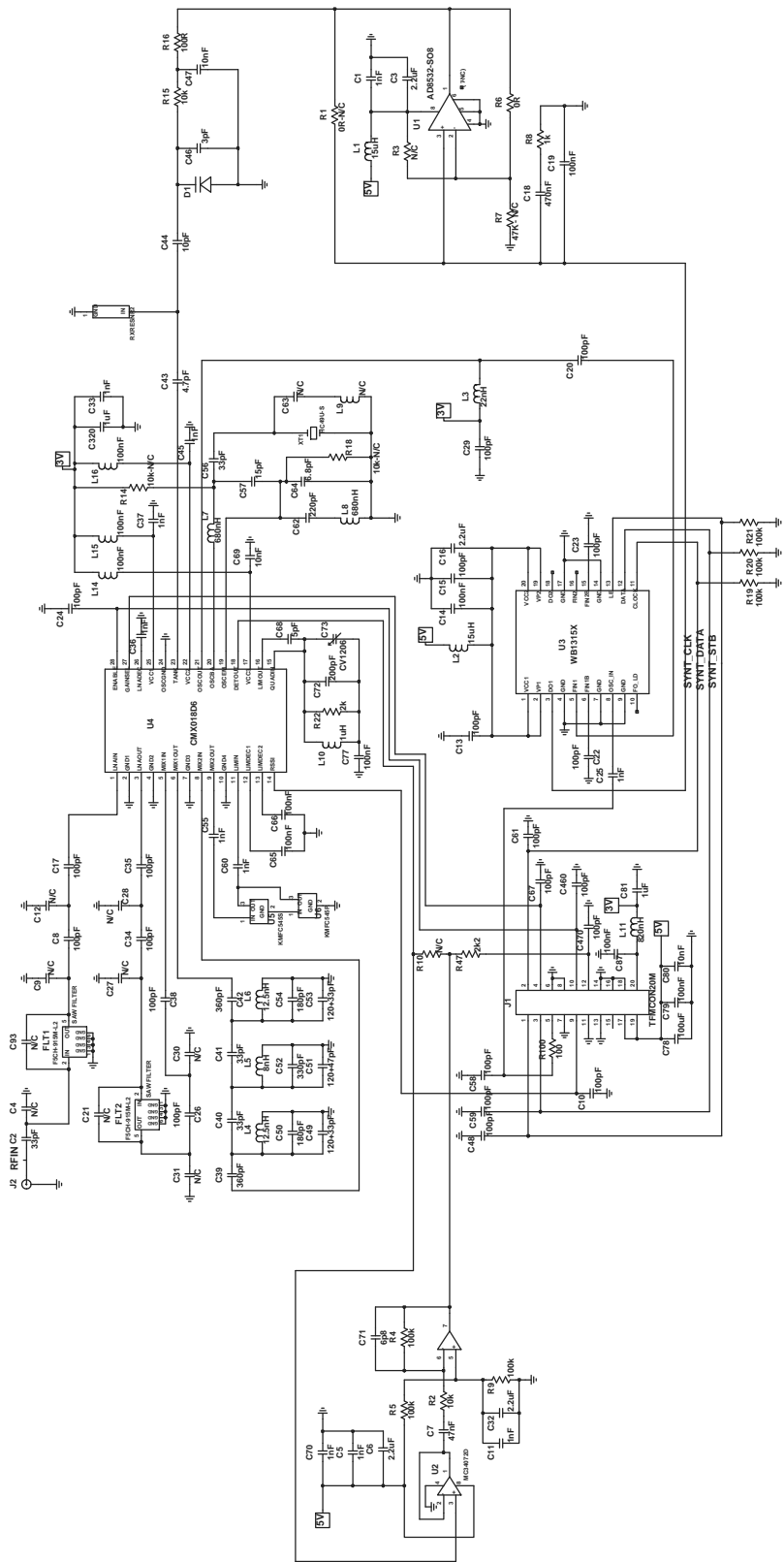


Figure 3 Application Schematic

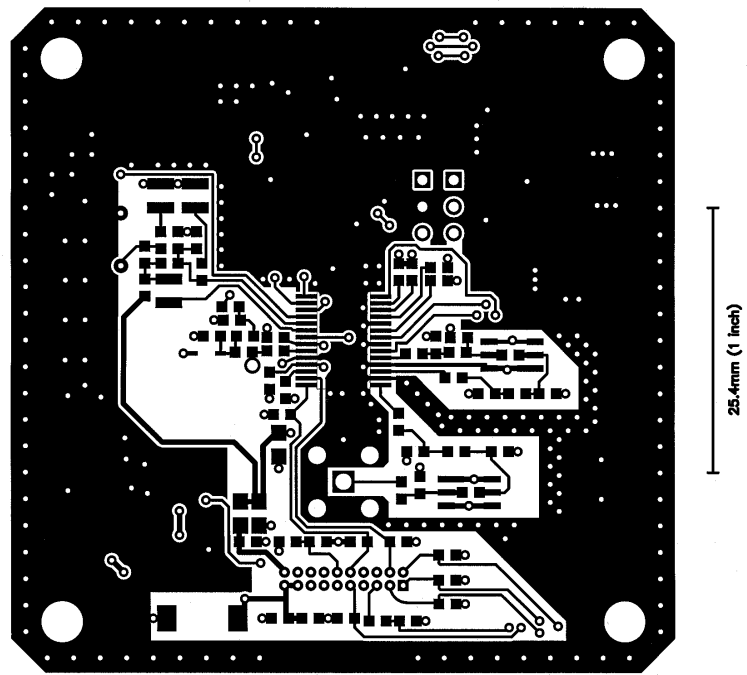


Figure 4a Application Layout - Top Copper

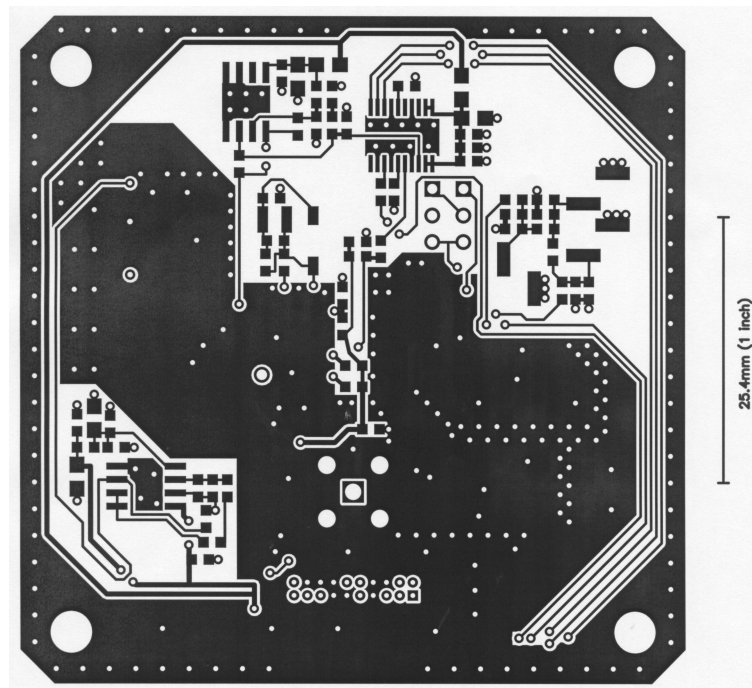


Figure 4b Application Layout - Bottom Copper (not reversed)

Available from <http://www.cmlmicro.co.uk>

## 1.7 Performance Specification

### 1.7.1 Electrical Performance

#### Absolute Maximum Ratings

Exceeding these maximum ratings can result in damage to the device.

	<b>Pins</b>	<b>Min.</b>	<b>Max.</b>	<b>Units</b>
Supply Voltage ( $V_{CC}$ )	17, 22, 25	-0.3	7.0	V
Input Voltage	27, 28	-0.3	$V_{CC} + 0.3$	V
LNA Input Power	1		0	dBm

<b>D6 Package</b>	<b>Min.</b>	<b>Max.</b>	<b>Units</b>
Total Allowable Power Dissipation at $T_{amb} = 25^{\circ}\text{C}$		1100	mW
... Derating		11	mW/ $^{\circ}\text{C}$
Storage Temperature	-55	+125	$^{\circ}\text{C}$

#### Operating Limits

Correct operation of the device outside these limits is not implied.

	<b>Notes</b>	<b>Min.</b>	<b>Max.</b>	<b>Units</b>
Supply Voltage ( $V_{CC}$ )		2.7	3.3	V
RF Input Range		860	965	MHz
Operating Temperature		-10	+60	$^{\circ}\text{C}$

## Operating Characteristics

For the following conditions unless otherwise specified:

$V_{CC} = 2.7V$  to  $3.3V$ ,  $T_{amb} = -10^{\circ}C$  to  $+60^{\circ}C$ ,  
 $R_F = 915MHz$ ,  $50\Omega$  source and load impedance.

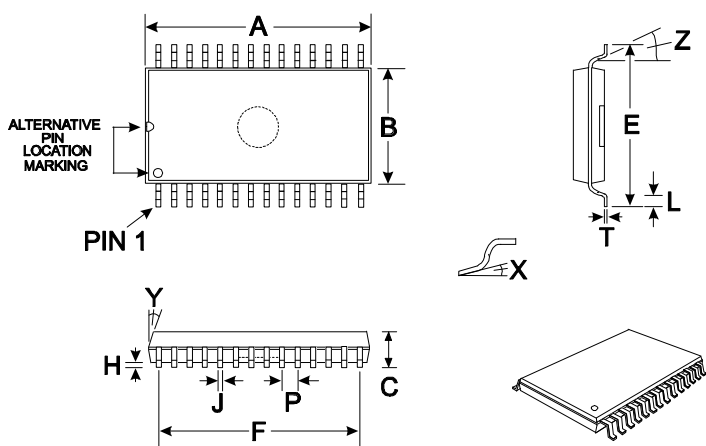
	Pin	Min.	Typ.	Max.	Units
<b>DC Parameters</b>					
$I_{CC}$ (ENABLE = $V_{CC}$ and GAINSEL = 0V)	17, 22, 25		50		mA
$I_{CC}$ (ENABLE = $V_{CC}$ and GAINSEL = $V_{CC}$ )	17, 22, 25		42		mA
$I_{CC}$ (ENABLE = 0V)	17, 22, 25			10	$\mu A$
<b>AC Parameters</b>					
<b>LNA (RF = 915MHz)</b>					
Power Gain (GAINSEL = 0V)	1, 3		16		dB
Power Gain (GAINSEL = $V_{CC}$ )	1, 3		-6.0		dB
Noise Figure	1, 3		3.0		dB
Input 1dB Gain Compression Point (GAINSEL = 0V)	1		-20		dBm
Input 1dB Gain Compression Point (GAINSEL = $V_{CC}$ )	1		16		dBm
Input Third Order Intercept Point (GAINSEL = 0V)	1		-10		dBm
Input Third Order Intercept Point (GAINSEL = $V_{CC}$ )	1		25		dBm
Reverse Isolation (GAINSEL = 0V)	3, 1		-35		dB
Reverse Isolation (GAINSEL = $V_{CC}$ )	3, 1		-6.0		dB
Input Impedance	1		50		$\Omega$
Output Impedance	3		50		$\Omega$
Input Return Loss (50 $\Omega$ source)	1		10		dB
Output Return Loss (50 $\Omega$ load)	3		15		dB
VCO to LNA Leakage	1		-45		dBm
<b>First Down Converter</b> (RF = 915MHz and IF = 70MHz)					
Conversion Gain	5, 6		15		dB
Noise Figure	5, 6		15		dB
Input 1dB Gain Compression Point	5		-12		dBm
Input Third Order Intercept Point	5		-4.0		dBm
Input Impedance	5		50		$\Omega$
Output Impedance	6		100		$\Omega$
Input Return Loss (50 $\Omega$ source)	5		<b>TBD</b>		dB
Output Return Loss (50 $\Omega$ load)	6		<b>TBD</b>		dB
Buffered oscillator output power	21		-10		dBm
RF to IF Leakage	5, 6		<b>TBD</b>		dB
LO to IF Leakage	6		<b>TBD</b>		dBm
LO to RF Leakage	5		<b>TBD</b>		dBm

## Operating Characteristics (Continued)

	Pin	Min.	Typ.	Max.	Units
<b>Second Down Converter</b>					
(RF = 70MHz and IF = 10.7MHz)					
Conversion Gain	8, 9		24		dB
Noise Figure	8, 9		13		dB
Output 1dB Gain Compression Point	9		-11		dBm
Output Third Order Intercept Point	9		-2		dBm
Input Impedance	8		100		$\Omega$
Output Impedance	9		430		$\Omega$
<b>Limiting Amplifier and RSSI</b>					
(IF = 10.7MHz)					
Bandwidth	11, 16		40		MHz
Internal Voltage Gain	11		74		dBV
Input Impedance	11		430		$\Omega$
RSSI Dynamic Range	14		<b>TBD</b>		dB
RSSI Slope	14		<b>TBD</b>		V/dB
RSSI Voltage Range <sup>1</sup>	14		<b>TBD</b>		V
<b>Demodulator (IF = 10.7MHz)</b>					
Output Swing <sup>2</sup>	18		<b>TBD</b>		mVp-p
Output Impedance	18		1		k $\Omega$

- Notes:**
1. Input power = **TBD** to **TBD**
  2. 125kHz Deviation, 1k $\Omega$  Load

### 1.7.2 Packaging



DIM.	MIN.	TYP.	MAX.
* A	0.396 (10.06)		0.407 (10.34)
* B	0.205 (5.21)		0.213 (5.39)
C	0.066 (1.67)		0.079 (2.00)
E	0.301 (7.65)		0.312 (7.90)
F		0.333 (8.45)	
H	0.002 (0.05)		0.008 (0.21)
J	0.010 (0.25)		0.015 (0.38)
L	0.022 (0.56)		0.037 (0.94)
P		0.026 (0.65)	
T	0.005 (0.13)		0.009 (0.23)
X	0°		8°
Y	7°		9°
Z	4°		10°

NOTE :

\* A & B are reference datum's and do not include mold flash or protrusions.

All dimensions in inches (mm.)  
Angles are in degrees

Figure 5 28-Pin Plastic SSOP Mechanical Outline: *Order as part no. CMX018D6*

### 1.7.3 Handling Precautions

This device is a high performance RF integrated circuit and is ESD sensitive. Adequate precautions must be taken during handling and assembly of this device.

CML does not assume any responsibility for the use of any circuitry described. No IPR or circuit patent licences are implied. CML reserves the right at any time without notice to change the said circuitry and this product specification. CML has a policy of testing every product shipped using calibrated test equipment to ensure compliance with this product specification. Specific testing of all circuit parameters is not necessarily performed.



M-I-X-E-D S-I-G-N-A-L S-O-L-U-T-I-O-N-S

1 WHEATON ROAD  
WITHAM - ESSEX  
CM8 3TD - ENGLAND

Telephone: +44 1376 513833  
Telefax: +44 1376 518247  
e-mail: sales@cmlmicro.co.uk  
<http://www.cmlmicro.co.uk>