

Series CNU004 Power Connectors for AdvancedTCA

Specifications

Insulation Resistance:	≥5GΩ
Contact Resistance:	Power contact = 2.2mΩ max. Signal contact = 8.5mΩ max.
Voltage Proof:	Pin 1 - 16 = 1,000Vrms Pin 17 - 34 = 2,000Vrms
Current Carrying Capacity:	Signal Pins = 1 Amp Power pins = 16 Amp
Operating Temp. Range:	-55°C to +125°C

Materials

Insulator:	PA46 30%GF (UL94V-0), black
Contact:	Copper Alloy with 50 μ" min. Ni underplating



Features

- Hot swappable
- Design acc. to PICMG 3.0
- Pin positions 1-4 are not populated and are reserved for future use
- Press-fit termination

Part Number (Details)

CNU004 * - 030 - * 001

Series

Contact Styles
P = Male (right angle)
S = Female (vertical)

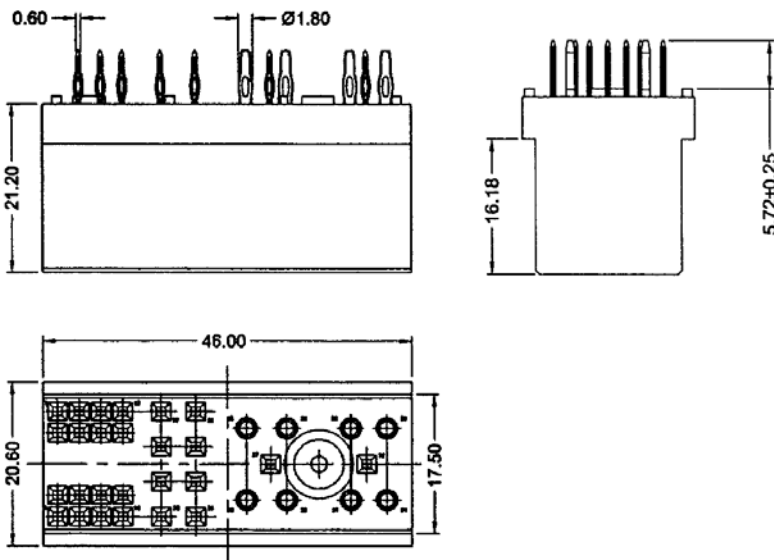
Pin Count

*Plating Option: (Mating/Termination)
1: 30 μ" Au min. / Tin
4: Gold Flash all over

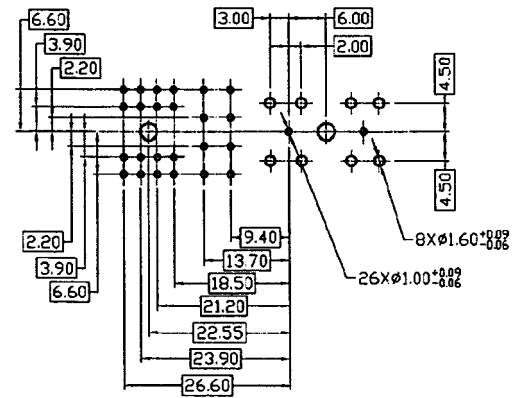
*other plating options available on request

AdvancedMC Connectors for AdvancedTCA

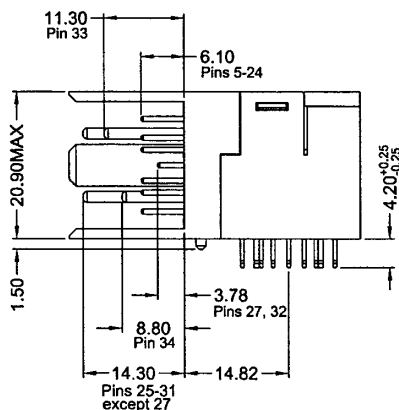
Outline Connector Dimensions CNU004S-030-*001



PCB Layout



Outline Connector Dimensions CNU004P-030-*001



PCB Layout

