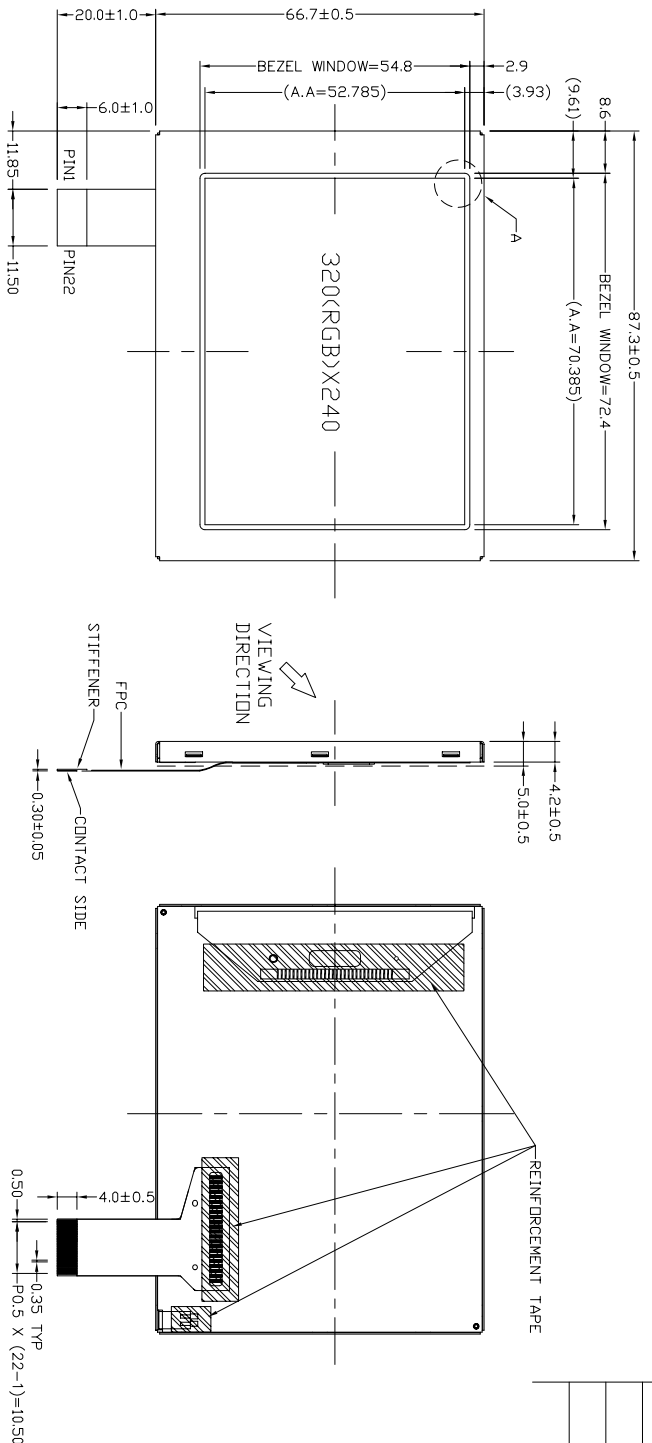


THE DRAWING ON THIS PRINT AND INFORMATION THEREWITH ARE PROPRIETARY TO VARRTRONIX AND SHALL NOT BE USED IN WHOLE OR IN PART WITHOUT WRITTEN PERMISSION OF VARRTRONIX.

PRELIMINARY



DETAIL A
(DOT SIZE FOR CUSTOMER REFERENCE ONLY)

Display Type	4K 3.5" COLOR STN. -VE. TRANSPARENT
Display Resolution	320 (RGB) X 240 DOTS
Viewing Angle	6 O'CLOCK
Max ratio and bias level	1/240 DUTY
LCD Controller/Driver	SSD1702T2R1, SSD1706Z X 2
Logic Voltage	5V
LCD Driving Voltage	TBD
Operation Temperature	0°C to 50°C
Storage Temperature	-20°C to 60°C
Backlight	LED BACKLIGHT

1	2	3	4	5	6	7	8	9	10	11
VDD	VSS	XCK	FR	LP	CP	FLM	DISPOFF	LED+	LED+	LED-
12	13	14	15	16	17	18	19	20	21	22
LED-	NC	D0	D1	D2	D3	D4	D5	D6	D7	VLCD

NOTES:
1. SPECIAL CHARACTERISTIC
2. SAFETY CHARACTERISTIC
3. CRITICAL DIMENSION
4. REFERENCE DIMENSION



VARRTRONIX LIMITED

ISSUE	AMENDMENT	DATE

TITLE:	LCM Module Specification
PROJECT NO.:	COG-C350MVQ-01
CUSTOMER REF.:	XXXXXXXXXX-XX
TOLERANCE UNLESS OTHERWISE SPECIFIED:	XX ±0.3 XXX ±0.1 ANGULAR ± 1°
DIMENSIONS:	IN MM
MATERIAL:	N/A
FINISH:	N/A
SCALE:	DO NOT ON SCALE
OVERALL THK:	N/A
THIRD ANGLE PROJECTION	
DRAWN:	XG LUQ
CHECKED:	JH LU
APPROVED:	YL LAW
DATE:	05.12.12
DESCRIPTION:	COG-C350MVQ-01
FILE NO.:	COG-C350MVQ-01 R0.DWG
REV.:	0
SHEET:	1 OF 1