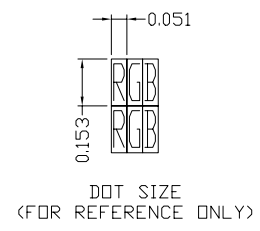
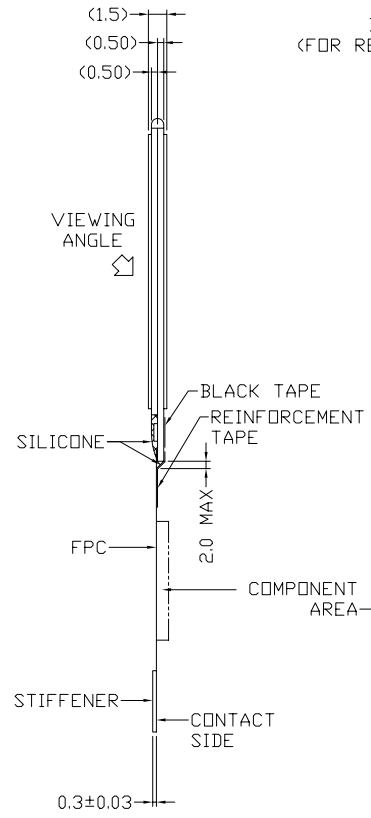
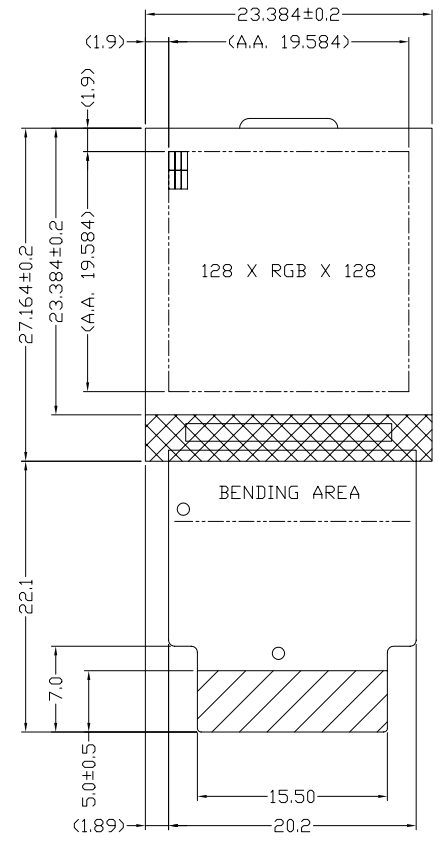


THE DRAWING ON THIS PRINT AND INFORMATION THEREWITH ARE PROPRIETARY TO VARITRONIX AND SHALL NOT BE USED IN WHOLE OR IN PART WITHOUT WRITTEN PERMISSION OF VARITRONIX

ISSUE	AMENDMENT	DATE

A
B
C
D



DISPLAY TYPE	1.1" TFT, +VE, TRANSMISSIVE, 65K COLORS
DISPLAY RESOLUTION	128 X RGB X 128 DOTS
VIEWING ANGLE	12 O' CLOCK
MUX RATIO AND BIAS RATIO	1/128 DUTY
LCD DRIVER	TL1771
LOGIC VOLTAGE	2.8V
LCD DRIVING VOLTAGE	TBD
OPERATING TEMPERATURE	-20°C TO +70°C
STORAGE TEMPERATURE	-30°C TO +80°C
BACKLIGHT	TBD

TITLE: SPECIFICATION OF MODULE		
PROJECT NO: COG-T110MHG		
CUSTOMER REF: xxxxxxxxxxx-xx		
TOLERANCE UNLESS OTHERWISE SPECIFIED:	X.X ±0.3	
	X.XX ±0.1	
DIMENSIONS IN MM	ANGULAR: ±1°	
MATERIAL: N/A	FINISH: N/A	
SCALE: DO NOT ON SCALE	OVERALL THK: N/A	
THIRD ANGLE PROJECTION		
	NAME	SIGN DATE
DRAWN:	SAMUEL	05.06.30
CHECKED:	STEVEN CHEN	
APPROVED:	ALFRED CHAN	
ITEM NO.: COG-T110MHG-03		
DESCRIPTION: COG-T110MHG-03		
FILE NO: COG-T110MHG-03	REV: 0	
SHEET	1 OF 1	

PIN ASSIGNMENT

1	2	3	4	5	6	7	8	9	10	11	12	13	14	15
VCC	VCC	IOVCC	RDB	RESETB	RS	CSB	WRB	DB0	DB1	DB2	DB3	DB4	DB5	DB6
16	17	18	19	20	21	22	23	24	25	26	27	28	29	30
DB7	DB8	DB9	DB10	DB11	DB12	DB13	DB14	DB15	DB16	DB17	GND	GND	IM1	IM0

- NOTES:**
- 1 ◇ : SPECIAL CHARACTERISTIC
 - 2 + : SAFETY CHARACTERISTIC
 - 3 ▽ : CRITICAL DIMENSION
 - 4 (..) : REFERENCE DIMENSION



1 2 3 4 5 6