

CQY80X, CQY80NX  
CQY80, CQY80N



**OPTICALLY COUPLED  
ISOLATOR  
PHOTOTRANSISTOR OUTPUT**

**APPROVALS**

- UL recognised, File No. E91231
- **'X' SPECIFICATION APPROVALS**
- CQY80X is VDE 0884 in 3 available lead forms :-
  - STD
  - G form
  - SMD approved to CECC 00802
- CQY80NX - VDE 0884 pending
- CQY80X is certified to EN60950 by the following Test Bodies :-
  - Nemko - Certificate No. P96101299
  - Fimko - Registration No. 190469-01..22
  - Semko - Reference No. 9620076 01
  - Demko - Reference No. 305567
  - CQY80NX - EN60950 pending

**DESCRIPTION**

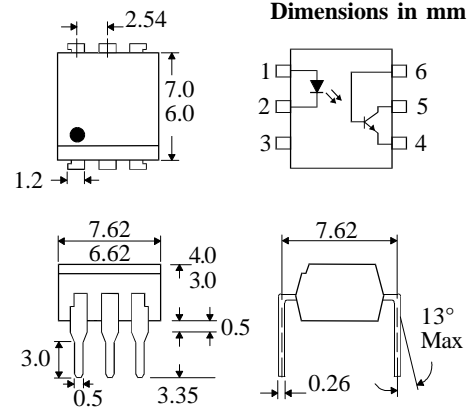
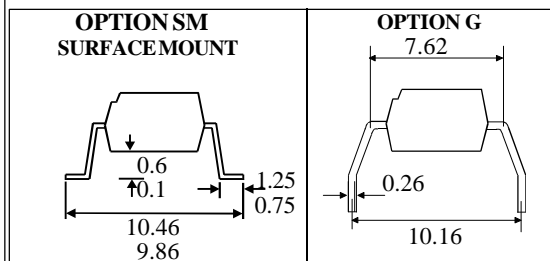
The CQY80 series of optically coupled isolators consist of infrared light emitting diode and NPN silicon photo transistor in a standard 6 pin dual in line plastic package.

**FEATURES**

- Options :-
  - 10mm lead spread - add G after part no.
  - Surface mount - add SM after part no.
  - Tape&reel - add SMT&R after part no.
- High Isolation Voltage (5.3kV<sub>RMS</sub>, 7.5kV<sub>PK</sub>)
- Custom electrical selections available

**APPLICATIONS**

- DC motor controllers
- Industrial systems controllers
- Signal transmission between systems of different potentials and impedances



**ABSOLUTE MAXIMUM RATINGS  
(25°C unless otherwise specified)**

Storage Temperature \_\_\_\_\_ -55°C to + 150°C  
 Operating Temperature \_\_\_\_\_ -55°C to + 100°C  
 Lead Soldering Temperature  
 (1/16 inch (1.6mm) from case for 10 secs) 260°C

**INPUT DIODE**

Forward Current \_\_\_\_\_ 60mA  
 Reverse Voltage \_\_\_\_\_ 6V  
 Power Dissipation \_\_\_\_\_ 105mW

**OUTPUT TRANSISTOR**

Collector-emitter Voltage  $BV_{CEO}$  \_\_\_\_\_ 32V  
 Collector-base Voltage  $BV_{CBO}$  \_\_\_\_\_ 70V  
 Emitter-collector Voltage  $BV_{ECO}$  \_\_\_\_\_ 6V  
 Power Dissipation \_\_\_\_\_ 160mW

**POWER DISSIPATION**

Total Power Dissipation \_\_\_\_\_ 200mW  
 (derate linearly 2.67mW/°C above 25°C)

**ISOCOM COMPONENTS LTD**  
 Unit 25B, Park View Road West,  
 Park View Industrial Estate, Brenda Road  
 Hartlepool, Cleveland, TS25 1YD  
 Tel: (01429) 863609 Fax :(01429) 863581

**ISOCOM INC**  
 1024 S. Greenville Ave, Suite 240,  
 Allen, TX 75002 USA  
 Tel: (214) 495-0755 Fax: (214) 495-0901  
 e-mail info@isocom.com  
 http://www.isocom.com

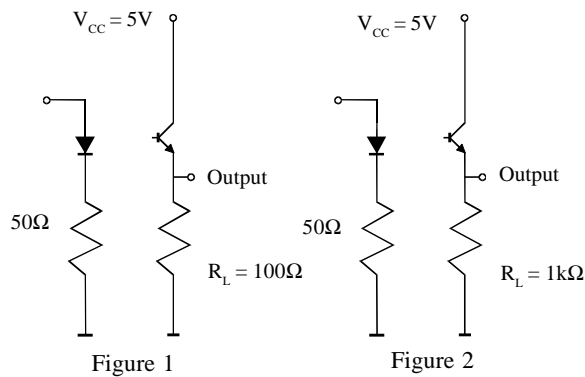
**ELECTRICAL CHARACTERISTICS (  $T_A = 25^\circ\text{C}$  Unless otherwise noted )**

PARAMETER		MIN	TYP	MAX	UNITS	TEST CONDITION
Input	Forward Voltage ( $V_F$ )		1.2	1.60	V	$I_F = 50\text{mA}$ $I_R = 10\mu\text{A}$ $V_R = 6\text{V}$
	Reverse Voltage ( $V_R$ )	6			V	
	Reverse Current ( $I_R$ )			10	$\mu\text{A}$	
Output	Collector-emitter Breakdown ( $BV_{CEO}$ ) ( Note 2 )	32			V	$I_C = 1\text{mA}$ $I_E = 100\mu\text{A}$ $V_{CE} = 20\text{V}$
	Emitter-collector Breakdown ( $BV_{ECO}$ )	6			V	
	Collector-emitter Dark Current ( $I_{CEO}$ )			200	nA	
Coupled	$I_C / I_F$ (CTR) (Note 2)	0.5				$10\text{mA } I_F, 5\text{V } V_{CE}$
	Current Transfer Ratio (CTR) (Note 2)	50			%	$10\text{mA } I_F, 5\text{V } V_{CE}$
	Collector-emitter Saturation Voltage $V_{CE(SAT)}$			0.3	V	$10\text{mA } I_F, 1\text{mA } I_C$
	Input to Output Isolation Voltage $V_{ISO}$	5300 7500			$V_{RMS}$ $V_{PK}$	See note 1 See note 1
	Input-output Isolation Resistance $R_{ISO}$	$5 \times 10^{10}$			$\Omega$	$V_{IO} = 500\text{V}$ (note 1)

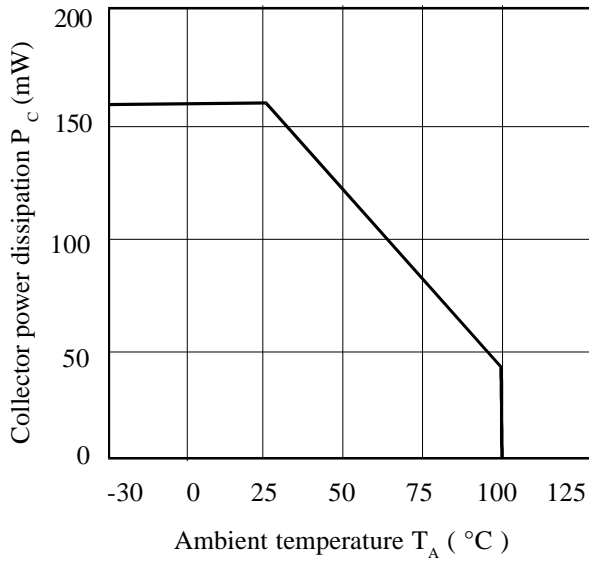
Note 1 Measured with input leads shorted together and output leads shorted together.

Note 2 Special Selections are available on request. Please consult the factory.

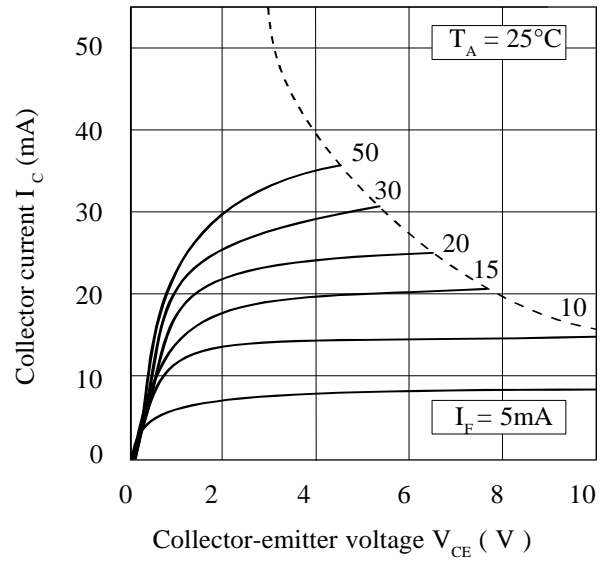
Type	$R_L = 100\Omega$ see fig 1							$R_L = 1\text{k}\Omega$ see fig 2		
	td	tr	ton	ts	tf	toff	$I_C$	ton	toff	$I_F$
	$\mu\text{s}$	$\mu\text{s}$	$\mu\text{s}$	$\mu\text{s}$	$\mu\text{s}$	$\mu\text{s}$	mA	$\mu\text{s}$	$\mu\text{s}$	mA
CQY80 CQY80N	4.0	7.0	11.0	0.3	6.7	7.0	5	25.0	42.5	10



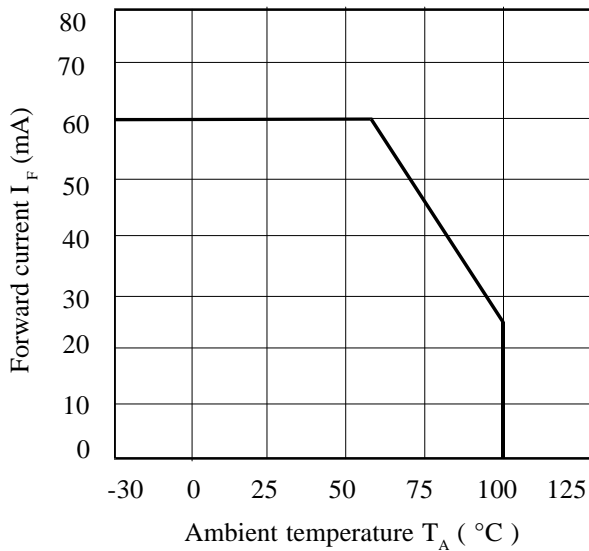
**Collector Power Dissipation vs. Ambient Temperature**



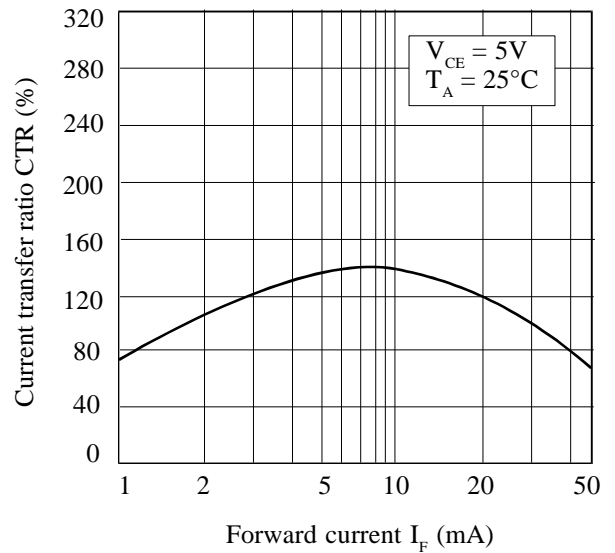
**Collector Current vs. Collector-emitter Voltage**



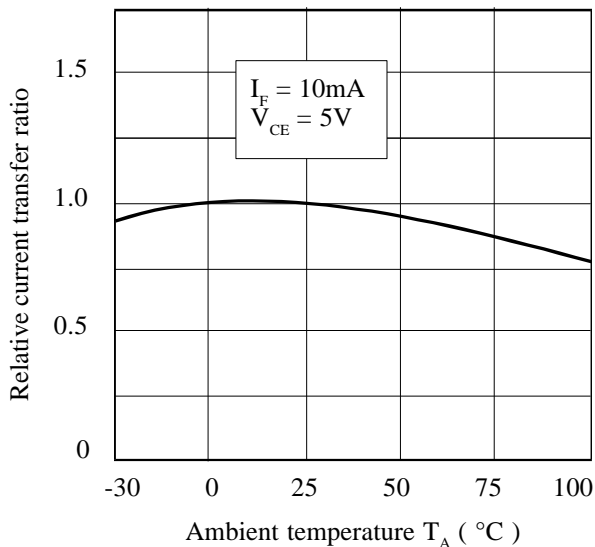
**Forward Current vs. Ambient Temperature**



**Current Transfer Ratio vs. Forward Current**



**Relative Current Transfer Ratio vs. Ambient Temperature**



**Collector-emitter Saturation Voltage vs. Ambient Temperature**

