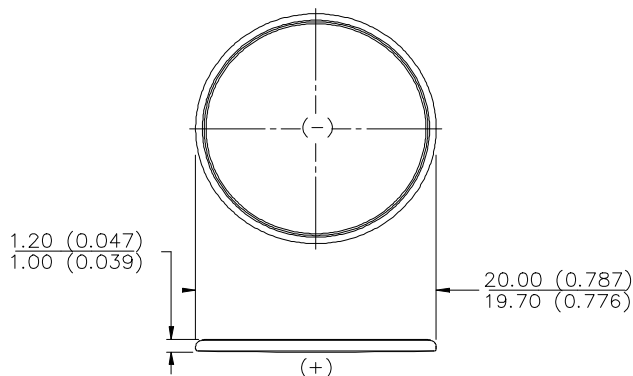


ENERGIZER NO. CR2012



Industry Standard Dimensions in mm (inches)

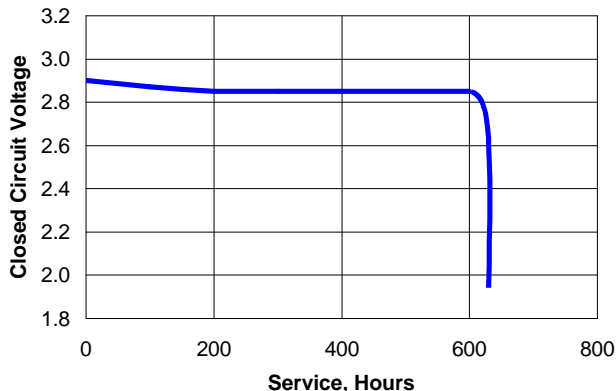


Chemical System: Lithium / Manganese Dioxide (Li/MnO₂)

Battery Voltage: 3.0 Volts
Average Weight: 1.3 grams (0.04 oz.)
Volume: 0.3 cubic centimeters (0.02 cubic inch)
Average Capacity: 58 mAh to 2.0 volts
 (Rated at 30k ohms continuous at 21°C)
Maximum Reverse Charge Current: 1 microampere
Energy Density: 129 milliwatt hr/g, 561 milliwatt hr/cc

TYPICAL DISCHARGE CURVE

Simulated Test @ 21°C (70°F)



Simulated Application Test Estimated Average Service at 21°C (70°F)

Schedule:	Typical Drains at 2.9V (microamperes)	Load (ohms)	Cutoff Voltage
			2.0V
24 hours/day	97	30,000	613 Hours

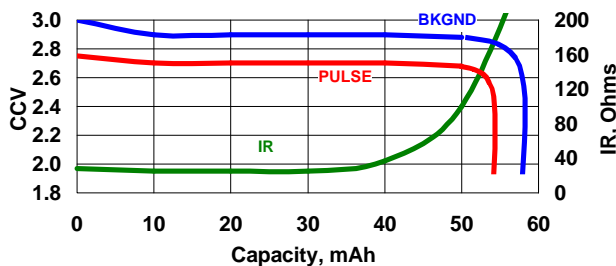
INTERNAL RESISTANCE CHARACTERISTICS

Pulse Test @ 21°C (70°F)

Schedule: Continuous for background
 2 seconds X 12 times/day for pulse
Typical Background Drain @ 2.9V (milliamperes):
 0.097 milliamperes
Typical Pulse Drain @ 2.6V (milliamperes):
 6.80 milliamperes
Background Load:
 30k ohms
Pulse Load:
 400 ohms

IR CHARACTERISTICS

Pulse Test @ 21°C (70°F)



Important Notice

This data sheet contains information specific to batteries manufactured at the time of its publication.

Contents herein do not constitute a warranty.

Copyright © Eveready Battery Co. Inc. - All Rights Reserved