



# 2A H-Bridge Driver

## Description

The CS3720 is high current (2A typ) bidirectional DC motor driver. The H-bridge output stage consists of two pairs of power NPN transistors, each with a  $V_{SAT}=2.3V$  at  $I_{OUT}=2A$  (typ).

The three TTL compatible inputs, **ENABLE1**, **ENABLE2**, and **DIRECTION** control the output stage. When **ENABLE1** is low and

**ENABLE2** is high, **DIRECTION** determines which way current flows through the motor coil. Any other combination of **ENABLE** settings disables the outputs.

The CS3720 is protected against overvoltage fault conditions. If a fault condition is detected, the IC shuts down.

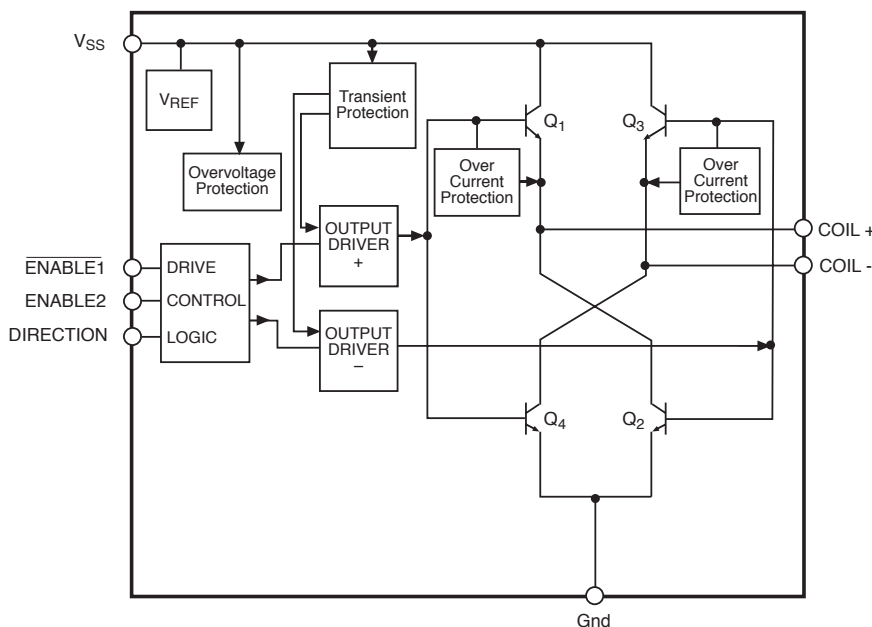
## Features

- High Current (2A typ) Output
- TTL compatible **DIRECTION** Control
- Fault Protection
  - Overvoltage
  - Load Dump Protection to 74V

## Absolute Maximum Ratings

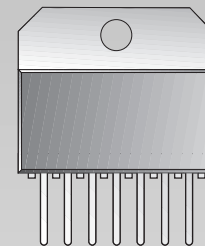
DC Input Voltage .....	-0.3 to 28V
Transient Input Voltage .....	-0.3 to 74V
Internal Power Dissipation.....	Internally limited
Junction Temperature Range .....	-40°C to +150°C
Storage Temperature Range.....	-65°C to +150°C
Lead Temperature Soldering	
Wave Solder (through hole styles only) .....	10 sec. max, 260°C peak
Reflow (SMD styles only) .....	60 sec. max above 183°C, 230°C peak
Electrostatic Discharge (Human Body Model).....	2kV

## Block Diagram



## Package Options

### 7 Lead Power SIP

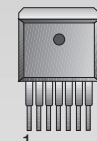


- 2 ENABLE1
- 4 DIRECTION
- 6 COIL+
- 8 Gnd
- 10 COIL-
- 12 VSS
- 14 ENABLE2

### 7 Lead TO-220



### 7 Lead D<sup>2</sup>PAK



- 1 ENABLE1
- 2 DIRECTION
- 3 COIL+
- 4 Gnd
- 5 VSS
- 6 COIL-
- 7 ENABLE2



Cherry Semiconductor Corporation  
 2000 South County Trail, East Greenwich, RI 02818  
 Tel: (401)885-3600 Fax: (401)885-5786  
 Email: info@cherry-semi.com  
 Web Site: www.cherry-semi.com

Electrical Characteristics:  $5.5V \leq V_{CC} \leq 17V$ ;  $-40^{\circ}C \leq T_J \leq +150^{\circ}C$ ;  $-40^{\circ}C \leq T_C \leq +105^{\circ}C$ ;  $-40^{\circ}C \leq T_A \leq 105^{\circ}C$ ; unless otherwise specified.

PARAMETER	TEST CONDITIONS	MIN	TYP	MAX	UNIT
<b>■ Output Stage</b>					
Quiescent Current	$I_{OUT}=0mA$ ; ENABLE1=DIRECTION= High ENABLE2=Low			10	mA
Output Saturation Voltage	$I_{OUT}=2A$			3.2	V
	$I_{OUT}=500mA$			2.6	V
Output Leakage Current	$I_{OUT}=0mA$			20	$\mu A$
Current Limit			3.0		A
<b>■ Logic Control Functions</b>					
High Level Input Voltage		2.0			V
Low Level Input Voltage				0.8	V
High Level Input Current				10	$\mu A$
Low Level Input Current		-250			$\mu A$
Turn on Delay Guaranteed by design	$R_{LOAD}=30\Omega$ ; Coil=5mH; $C_{LOAD}=15pF$		5	50	$\mu s$
Turn off Delay Guaranteed by design	$R_{LOAD}=30\Omega$ ; Coil=5mH; $C_{LOAD}=15pF$		5	50	$\mu s$
<b>■ Fault Protection Functions</b>					
Overvoltage Shutdown	$I_{OUT} = 500mA$	18.0		21.5	V

### Package Lead Description

PACKAGE LEAD#			LEAD SYMBOL	FUNCTION
15 Lead Power SIP	7 Lead TO-220	7 Lead D <sup>2</sup> PAK		
2	1	1	$\overline{ENABLE1}$	Enables output when held low and ENABLE 2 = High
4	2	2	DIRECTION	Determines the direction of current flow through COIL+ and COIL- as long as $\overline{ENABLE1}$ = Low and ENABLE2 = High
6	3	3	COIL+	Positive Output of H bridge to coil
8	4	4	Gnd	Ground connection
12	5	5	V <sub>SS</sub>	Supply voltage for IC
10	6	6	COIL-	Negative Output of H bridge to coil
14	7	7	ENABLE2	Enables output when held high and $\overline{ENABLE1}$ = Low

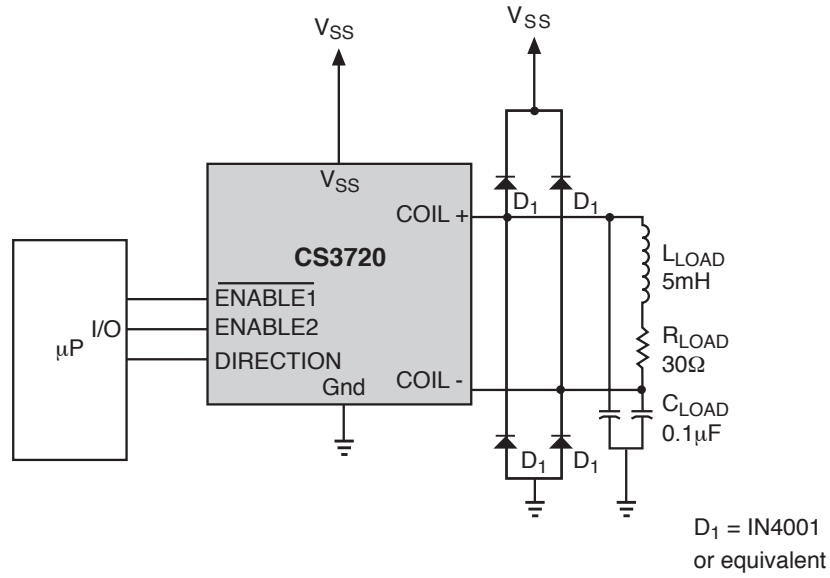
### Application Hints

#### Motor Direction Control

Current flow through the two outputs COIL+ and COIL- is controlled by the combined settings of  $\overline{ENABLE1}$ , ENABLE2 and DIRECTION (Table 1). The outputs will be active only when  $\overline{ENABLE1}$  is low and ENABLE2 is high. When DIRECTION is high, current flows out of COIL+ and into COIL-. When DIRECTION is low, current flows out of COIL- and into COIL+. For any other combination of ENABLE settings, the outputs are off.

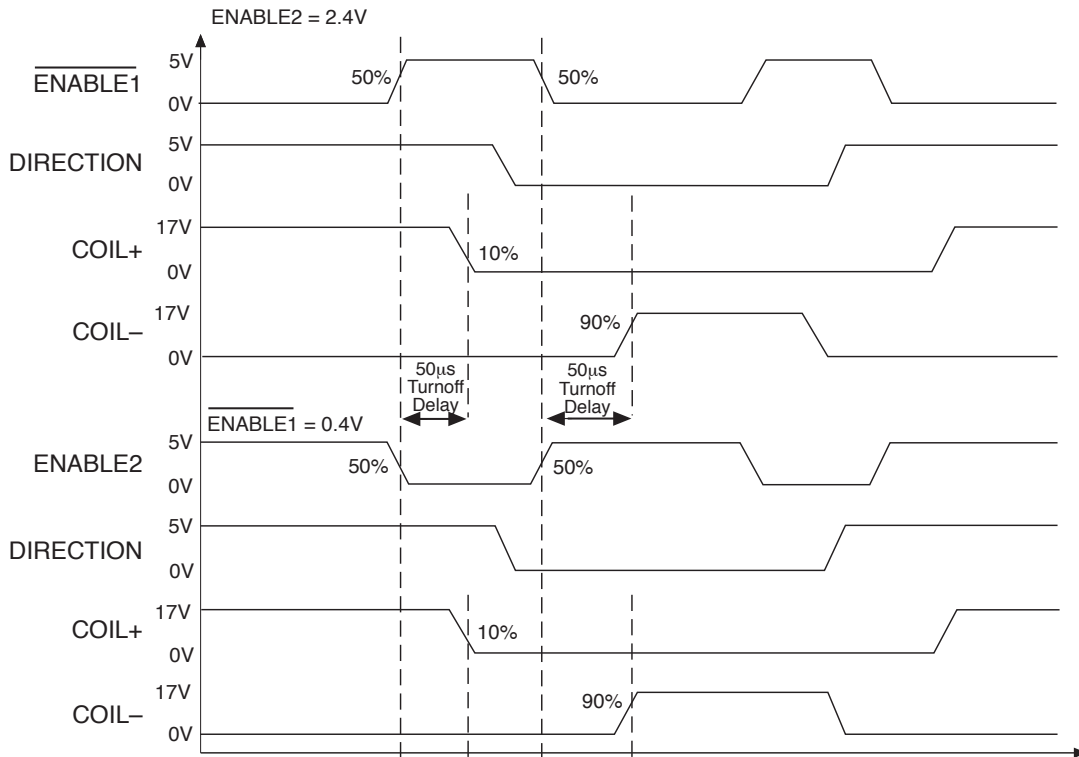
$\overline{ENABLE1}$	ENABLE2	DIRECTION	COIL+	COIL-
Low	High	High	High	Low
Low	High	Low	Low	High
High	X	X	OFF	OFF
X	Low	X	OFF	OFF

Table 1. Logical Control Diagram



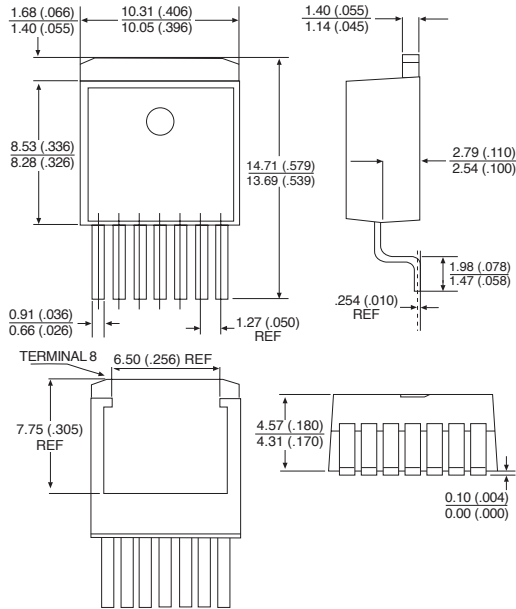
Note: A heatsink is required for 2A operation.

Figure 1. Delay Times for ENABLE and COIL



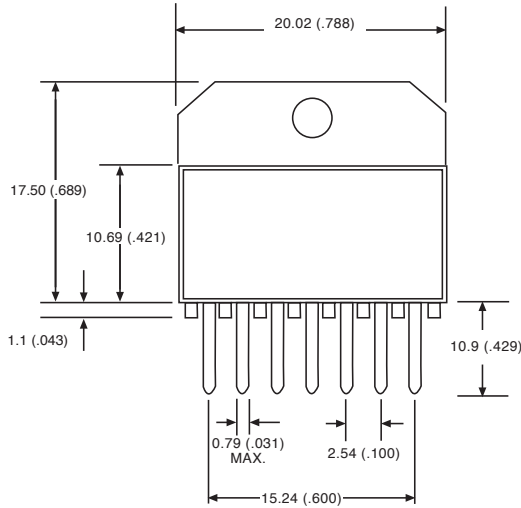
PACKAGE DIMENSIONS IN mm (INCHES)

7 Lead D<sup>2</sup>PAK (DPS)\* Short-Leaded



\*CHERRY SEMICONDUCTOR SHORT-LEADED FOOTPRINT

7 Lead Power SIP (M) Straight

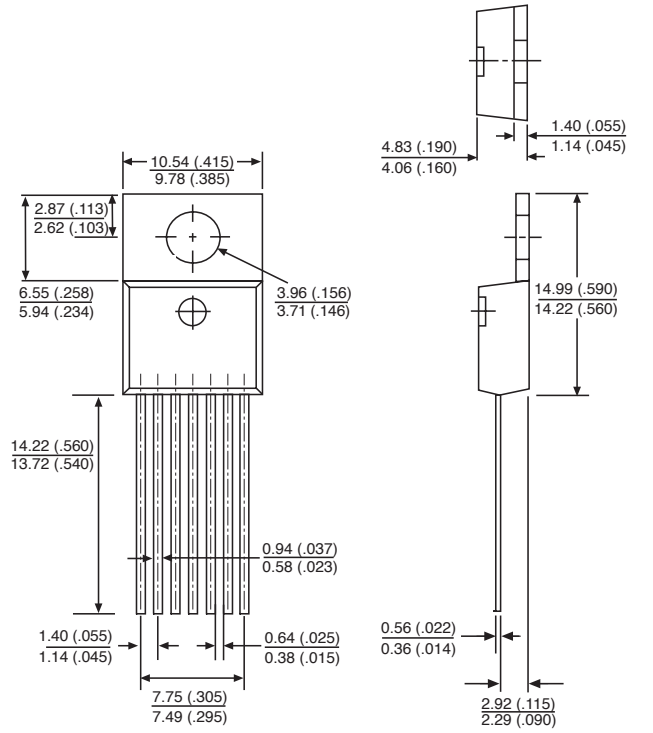


PACKAGE THERMAL DATA

Thermal Data	7L D <sup>2</sup> PAK	7L TO-220	7L Power SIP	
R <sub>θJC</sub> typ	2.1	2.1	2.1	°C/W
R <sub>θJA</sub> typ	10-50*	50	35	°C/W

\*Depending on thermal properties of substrate. R<sub>θJA</sub>=R<sub>θJC</sub>+R<sub>θCA</sub>.

7 Lead TO-220 (T) Straight



Ordering Information

Part Number	Description
CS3720XT7	7 Lead TO-220 Straight
CS3720XTVA7	7 Lead TO-220 Vertical
CS3720XTHA7	7 Lead TO-220 Horizontal
CS3720XM7	7 Lead Power SIP Straight
CS3720XDPS7	7 Lead D <sup>2</sup> PAK Short-Leaded
CS3720XDPSR7	7 Lead D <sup>2</sup> PAK Short-Leaded (tape & reel)

Cherry Semiconductor Corporation reserves the right to make changes to the specifications without notice. Please contact Cherry Semiconductor Corporation for the latest available information.