

DO NOT SCALE PRINT

Honeywell

300A NULL BALANCE CURRENT SENSOR

CATALOGUE LISTING
CSNL SERIES
MTG - CSN-234

CHARACTERISTICS

CAT. LISTING	ISSUE NO.	OPERATING TEMPERATURE	SUPPLY	HOUSING MATERIAL	SENSING RANGE		OUTPUT NOMINAL	MAXIMUM COIL RESISTANCE AT 70°C	NUMBER OF TURNS	PRIMARY CONNECTION	SECONDARY CONNECTION	CONFORMAL COATING
					NOMINAL	MAXIMUM						
CSNL281-006	1	-40°C TO +85°C	±24V	POLYCARBONATE/ABS BLEND	300A	750A	150mA	25 Ω	2000 ±1	THROUGH HOLE	AMP 3-WAY COLD PIN MATE-N-LOK CONNECTOR	NO
CSNL281-007	1	-40°C TO +85°C	±12 - ±18V	POLYCARBONATE/ABS BLEND	300A	600A	150mA	25 Ω	2000 ±1	THROUGH HOLE	AMP 3-WAY COLD PIN MATE-N-LOK CONNECTOR	NO

CSNL SERIES
MTG - CSN-234

M
 DRAWING NUMBER

ISSUE **2**

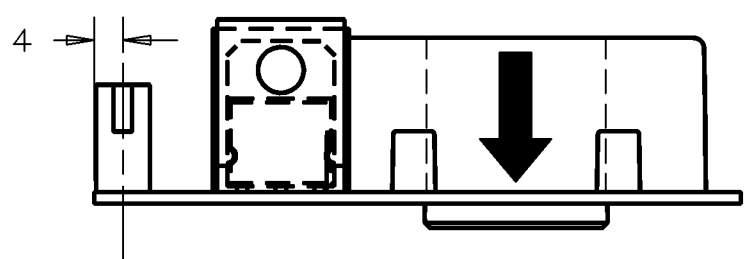
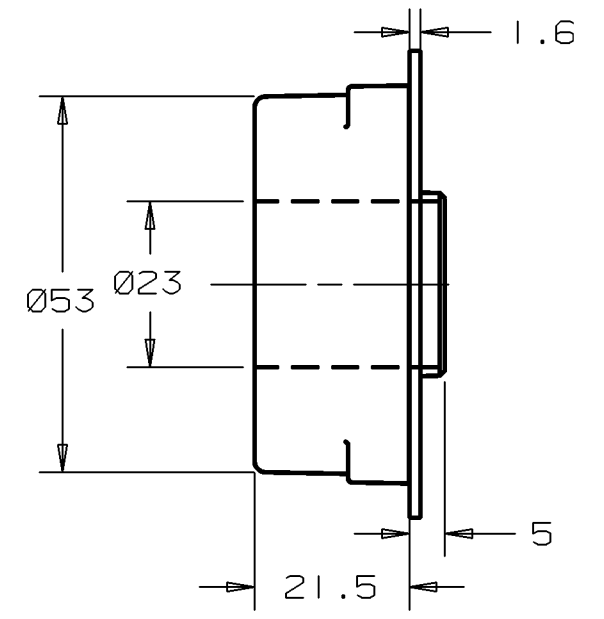
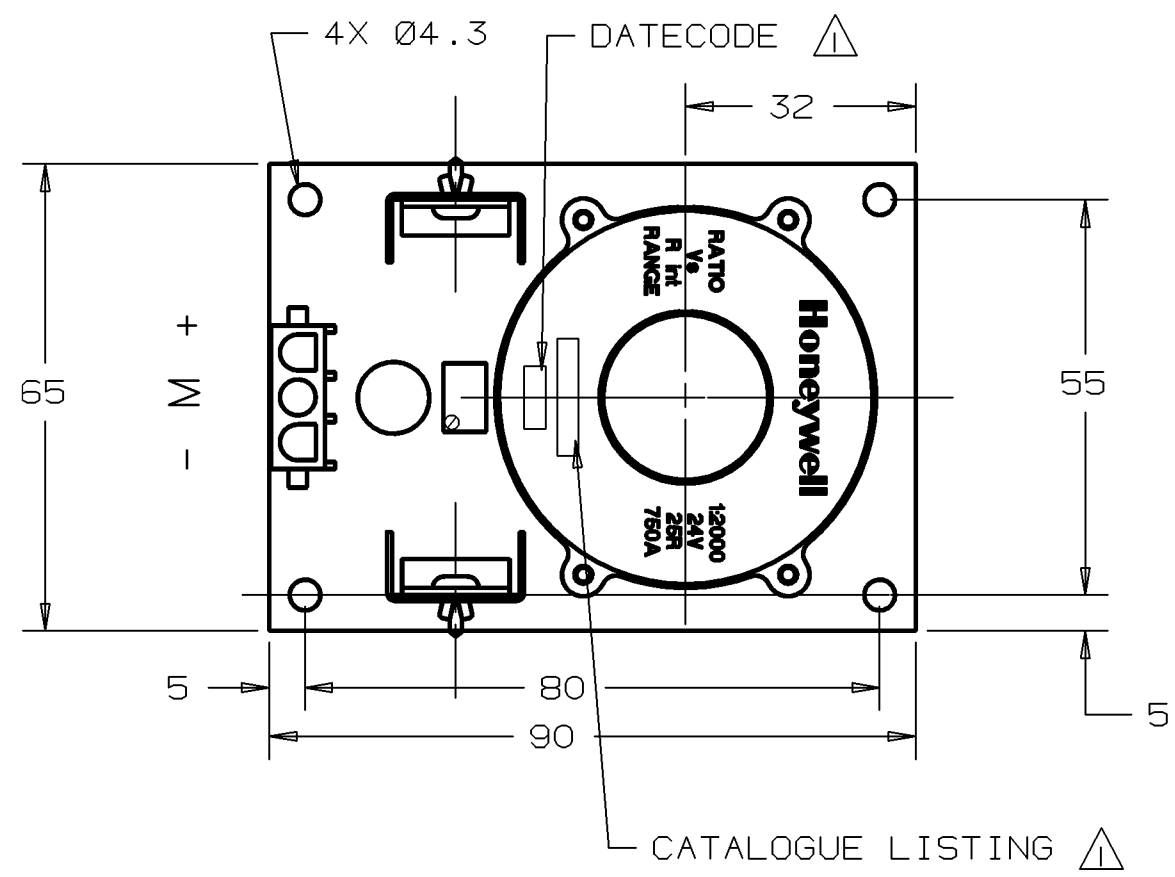
REPLACES PRO00086

REVISIONS
 2 PRI 897
 04.09.03

B/96
 DRAWN W. JOHNSTON
 CHECK
 DESIGN
 AUTHOR N

NOTES:-

1 INK COLOUR BLACK.



THE COPYRIGHT OF THIS DRAWING IS THE PROPERTY OF HONEYWELL LTD. THE DRAWING IS SUPPLIED IN CONFIDENCE AND MUST NOT BE USED FOR ANY PURPOSE OTHER THAN THAT FOR WHICH IT IS SUPPLIED.

THIRD ANGLE PROJECTION

SCALE :- 1/1

DIMENSIONS ARE IN MILLIMETRES

MODIFY ON CAD3D SYSTEM ONLY

GENERAL TOLERANCE = ±0.30