

## CTRJG Series 10/100/1000 Gigabit Ethernet RJ45 Integrated Modular Jack

### CHARACTERISTICS

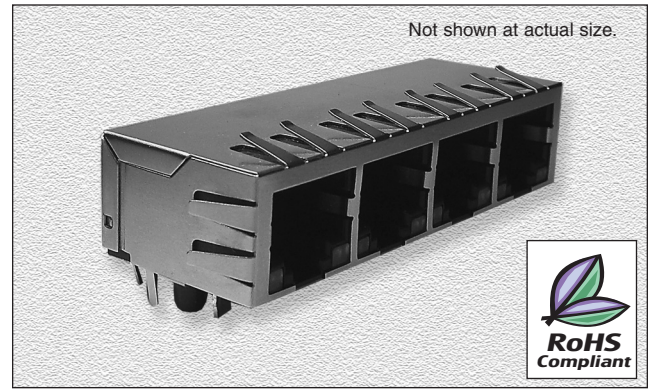
Options: 1x2, 1x4, 1x6, 1x8 & 2x1, 2x4, 2x6, 2x8 Port  
 Meets or exceeds IEEE 802.3 standard for 10/100/1000 Base-TX  
 Suitable for CAT 5 & 6 Fast Ethernet Cable of better UTP  
 350 μH minimum OCL with 8mA DC bias current  
 Available with or without LEDs  
 Minimum 1500Vrms isolation per IEEE 802.3 requirement  
 Operating temperature 0°C to +70°C  
 Storage temperature -40°C to +85°C

RoHS Compliant

**Transformer electrical specifications @ 25°C**

### MATERIAL SPECIFICATION

**Metal Shell:** Copper Alloy, Finish: 50μ" Nickel  
**Housing:** Thermoplastic, UL 94V-0, Color Black  
**Insert:** Thermoplastic, UL 94V-0, Color Black  
 Contact Terminal / Phosphor Bronze, 15μ" Gold on Contact Area,  
 100μ" Tin on Solder, Both over 50μ", Nickel Under-Plated  
**Coil Base:** Phenolic/LCP, UL 94V-0, Color Black



### PART NUMBER CONFIGURATION

Series	Size Code	Layers	Port (Each Layer)	LED (L/R)	Tab	Schematic
CTRJG	26	S = Single	1	N = None	N = N/A	1001A, 1002A
	29	D = Double	2	G = Green	D = Down	1003A, 1012A
	31		4	Y = Yellow	U = Up	1013A, 1012B
	33		6	O = Orange		1015B, 1223C
8					1224C, 1226C	
						1227C, 1013D
						1015D

Single Layer: CTRJG 26 S 1 GY U 1001A  
 Double Layer: CTRJG 31 D 1 GONN N 1013D

### LED CONFIGURATION

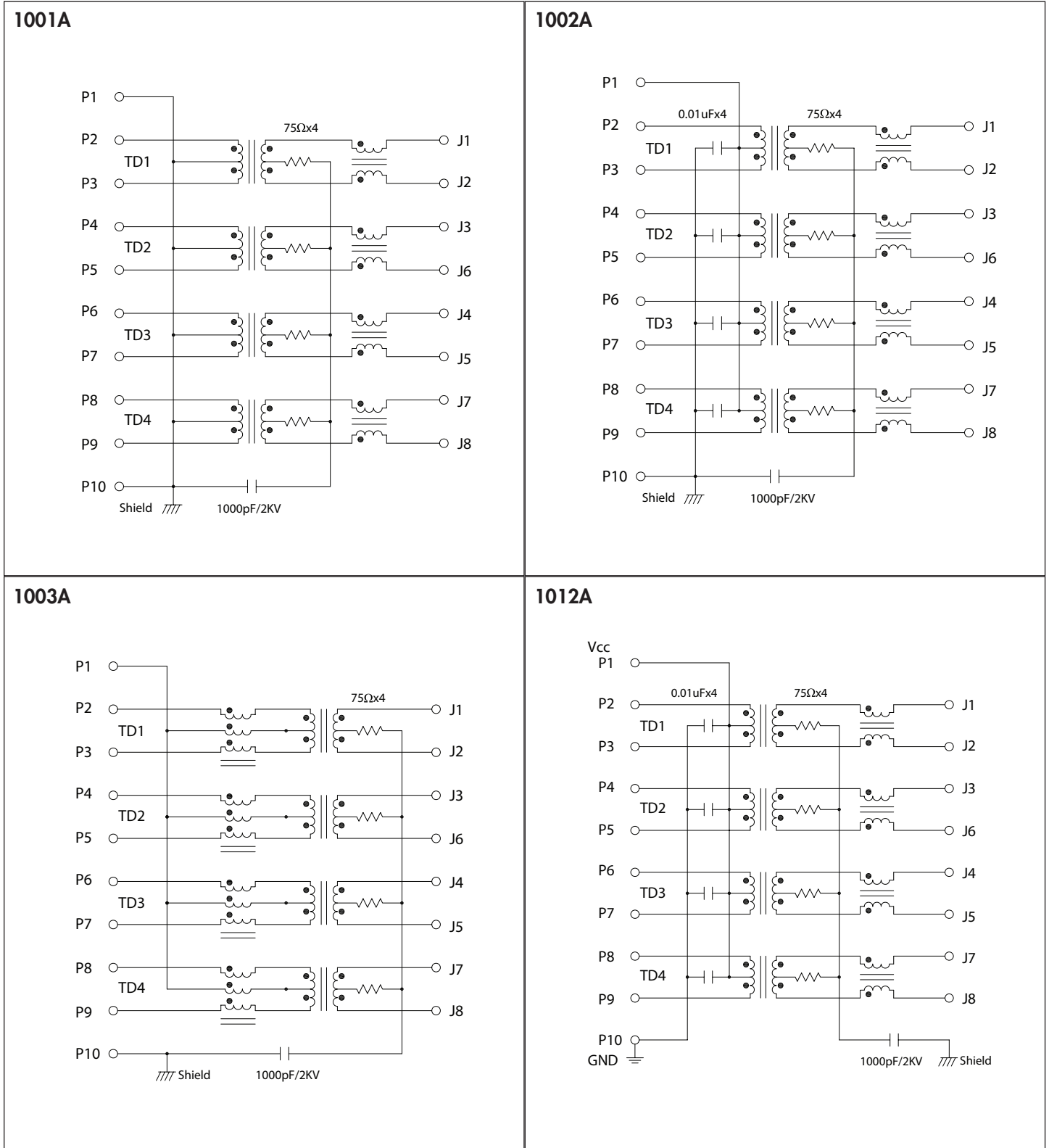
Schematic	Standard LED	Wavelength (λ)	V / IF= 20 mA		Image
			Max.	Typ.	
1001A 1002A 1003A 1012A 1013A	Yellow	585nm	2.5V	2.1V	Left LED: P14, P13 Right LED: P12, P11
	Green	570nm	2.5V	2.1V	
	Orange	605nm	2.5V	2.1V	
1012B 1015B	Yellow	585nm	2.5V	2.1V	Left LED: P12, P11 Right LED: P14, P13
	Green	570nm	2.5V	2.1V	
1223C 1224C 1226C 1227C	Yellow	585nm	2.5V	2.1V	Left LED: P16, P15 Right LED: P14, P13
	Green	570nm	2.5V	2.1V	
	Orange	605nm	2.5V	2.1V	
1013D 1015D	Green	570nm	2.5V	2.1V	LEDs: Green (P11), Orange (P12)
	Orange	605nm	2.5V	2.1V	

06.06.07



## CTRJG Series

### SCHEMATICS



06.06.07



Manufacturer of Passive and Discrete Semiconductor Components

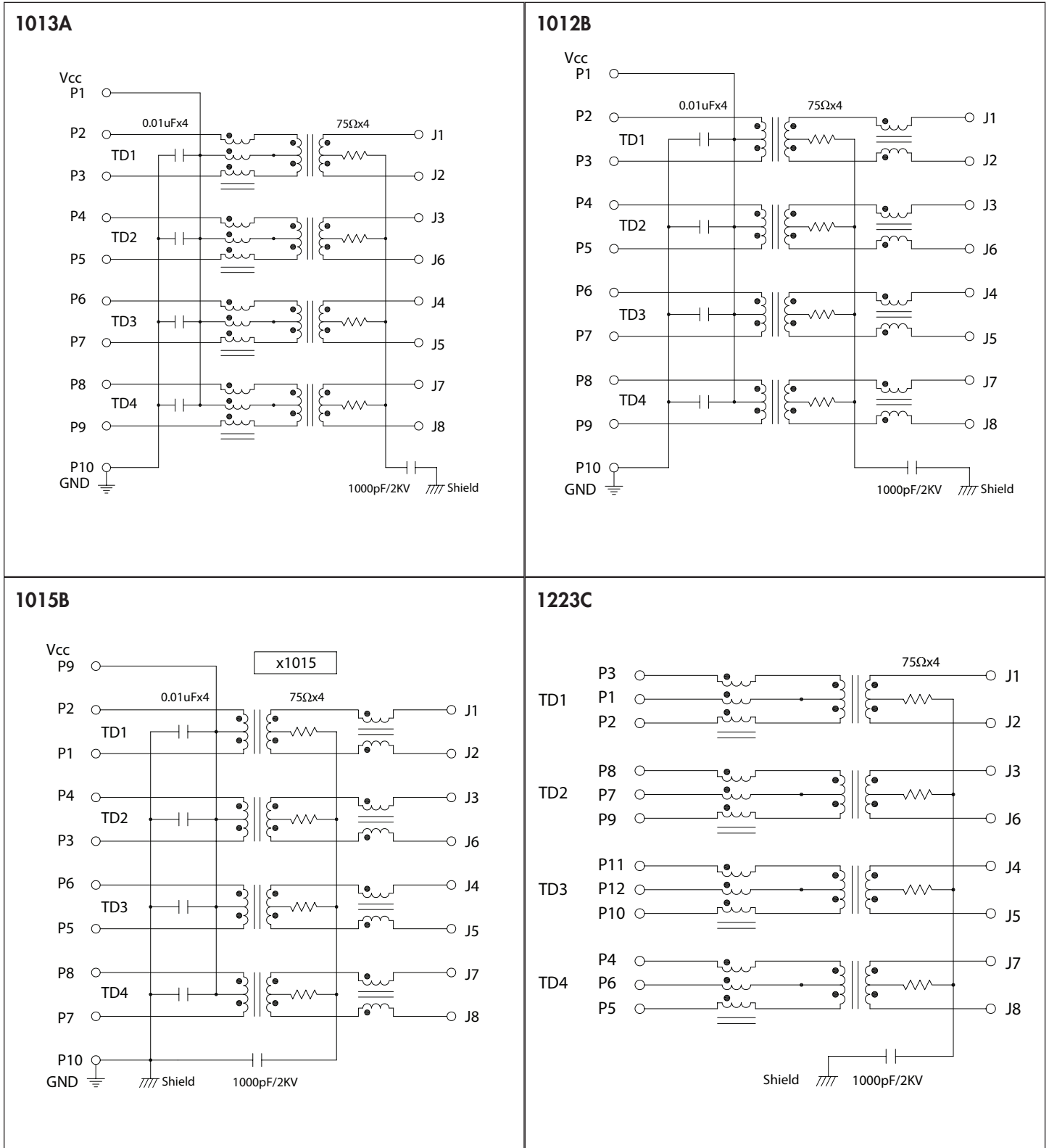
**800-684-5322** Inside US **949-453-1811** Outside US

Copyright © 2006 by CT Magnetics, DBA Central Technologies. All rights reserved.

CT Magnetics reserves the right to make improvements or change specifications without notice

## CTRJG Series

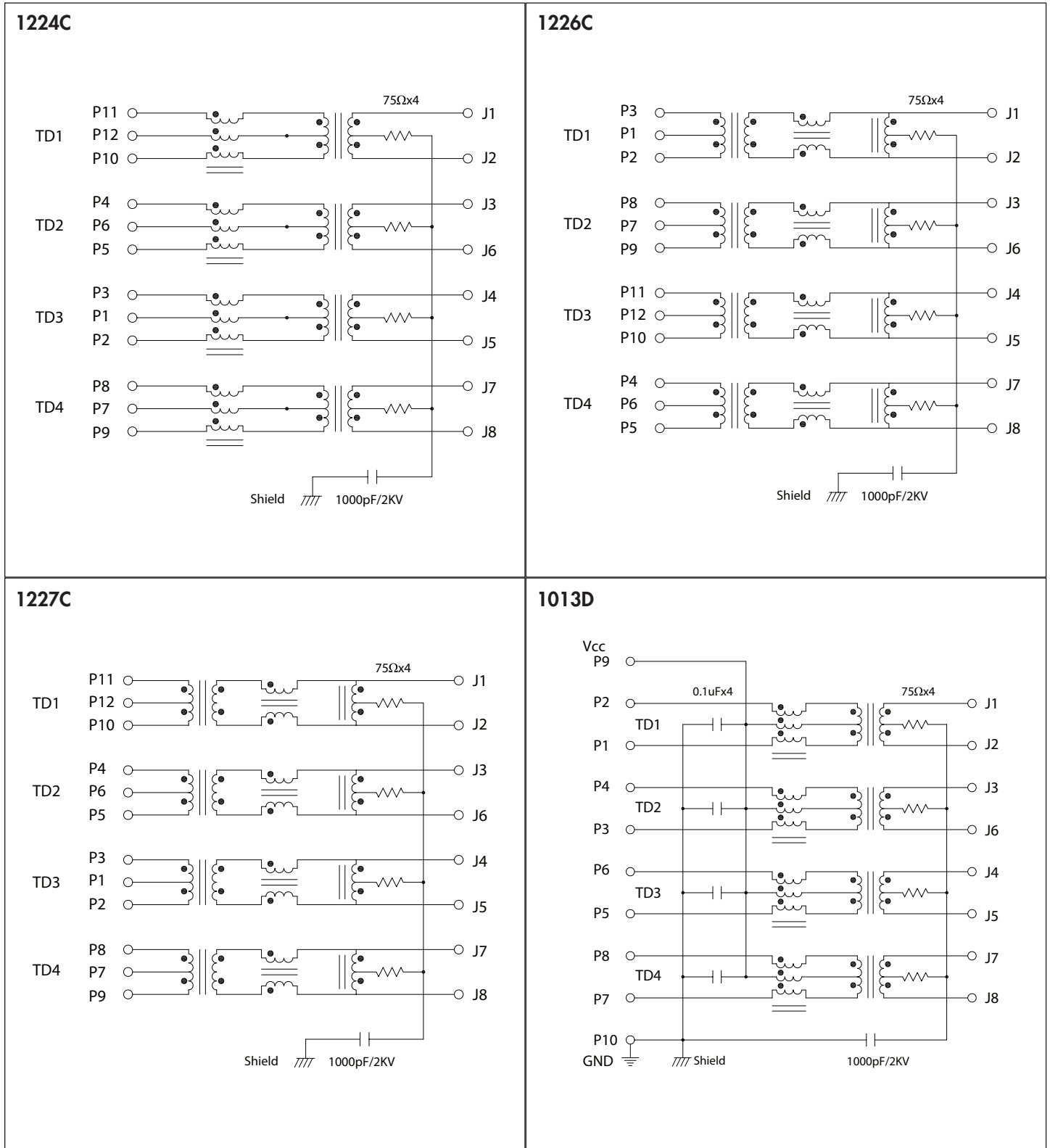
### SCHEMATICS



06.06.07

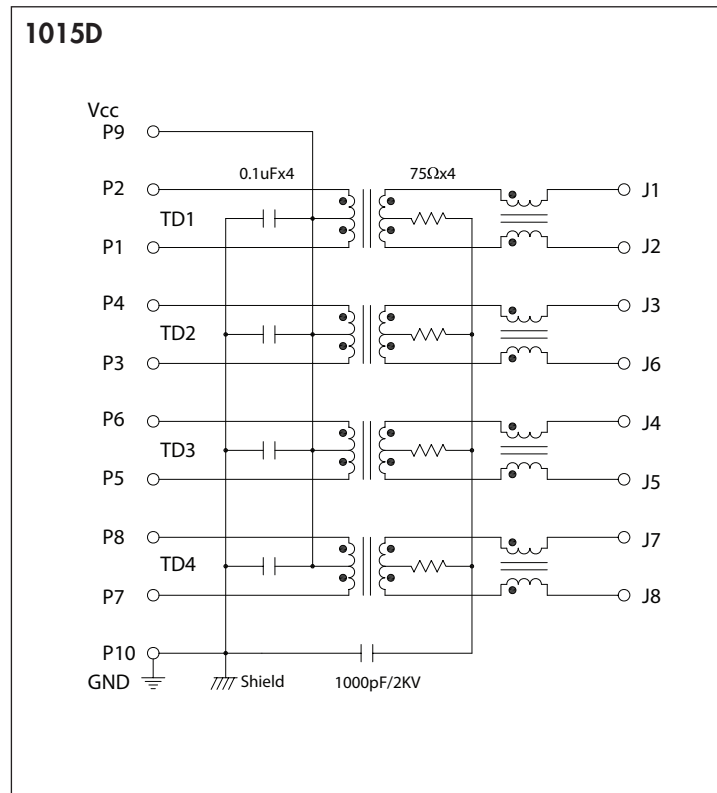
## CTRJG Series

### SCHEMATICS



06.06.07

### SCHEMATICS

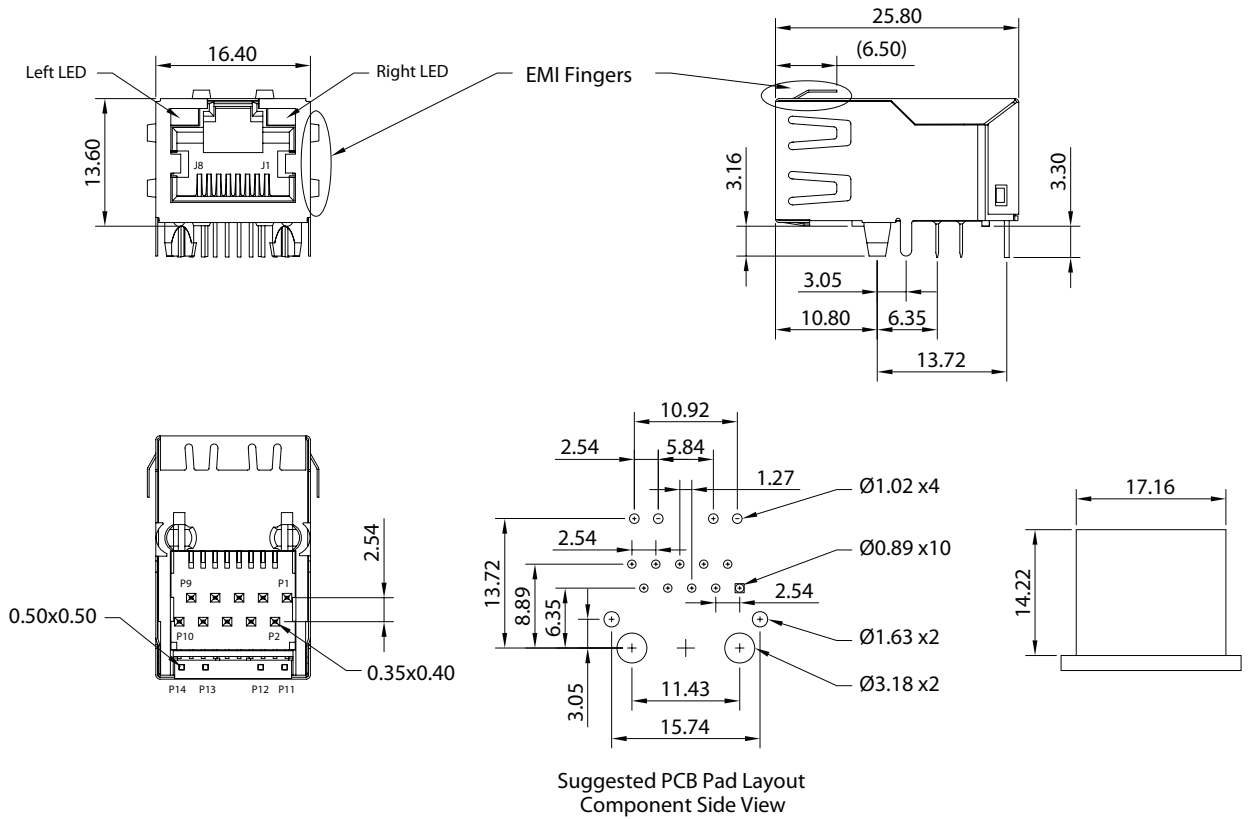


06.06.07

## CTRJG Series

### MECHANICAL

CTRJG26S1xxxxxxx



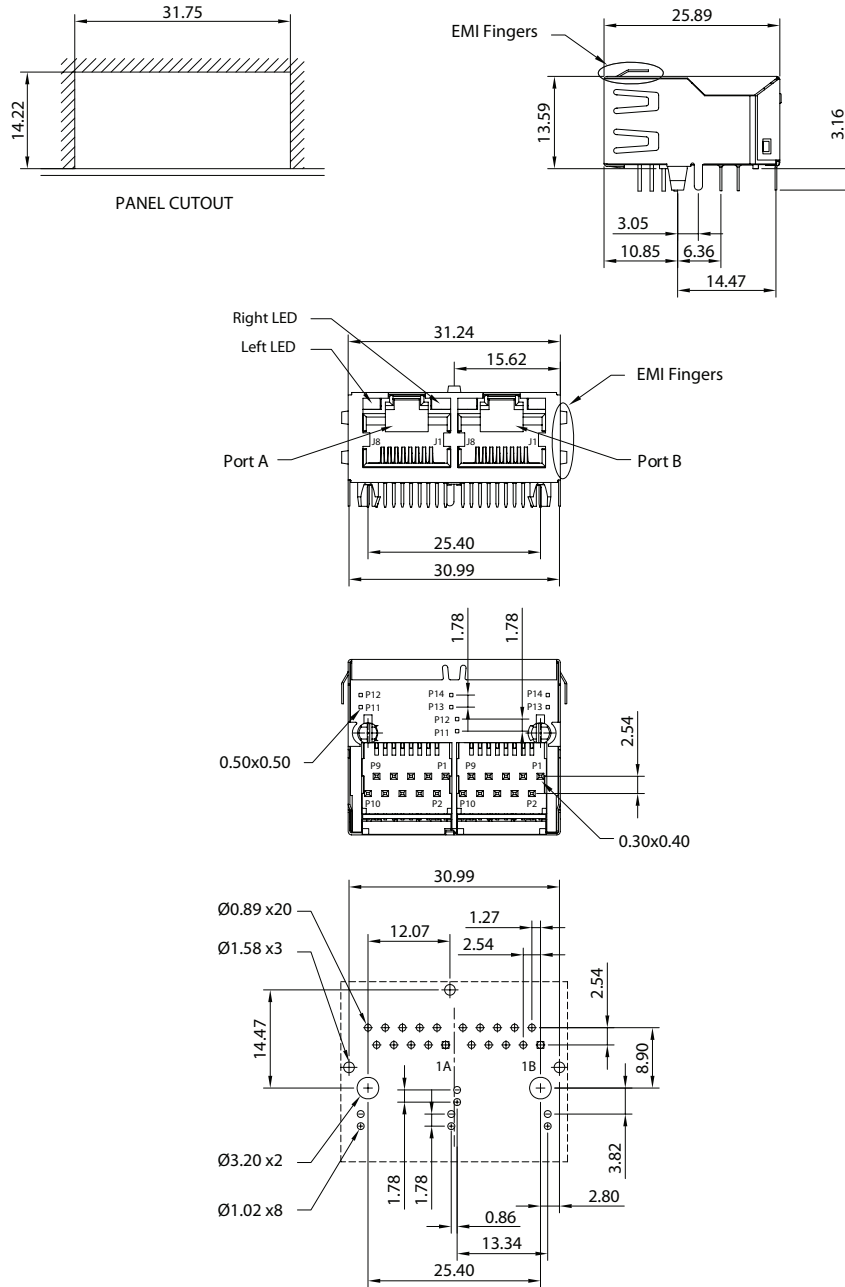
- NOTES : 1. Tolerance : PCB  $\pm 0.05\text{mm}$   
 Connector  $\pm 0.25\text{mm}$   
 2. Connector dimensions comply with FCC 68.5 dimension requirements

06.06.07

## CTRJG Series

### MECHANICAL

CTRJG26S2xxxxxxx



Suggested PCB Pad Layout  
Component Side View

- NOTES : 1. Tolerance : PCB  $\pm 0.05\text{mm}$   
 Connector  $\pm 0.25\text{mm}$   
 2. Connector dimensions comply with FCC 68.5 dimension requirements

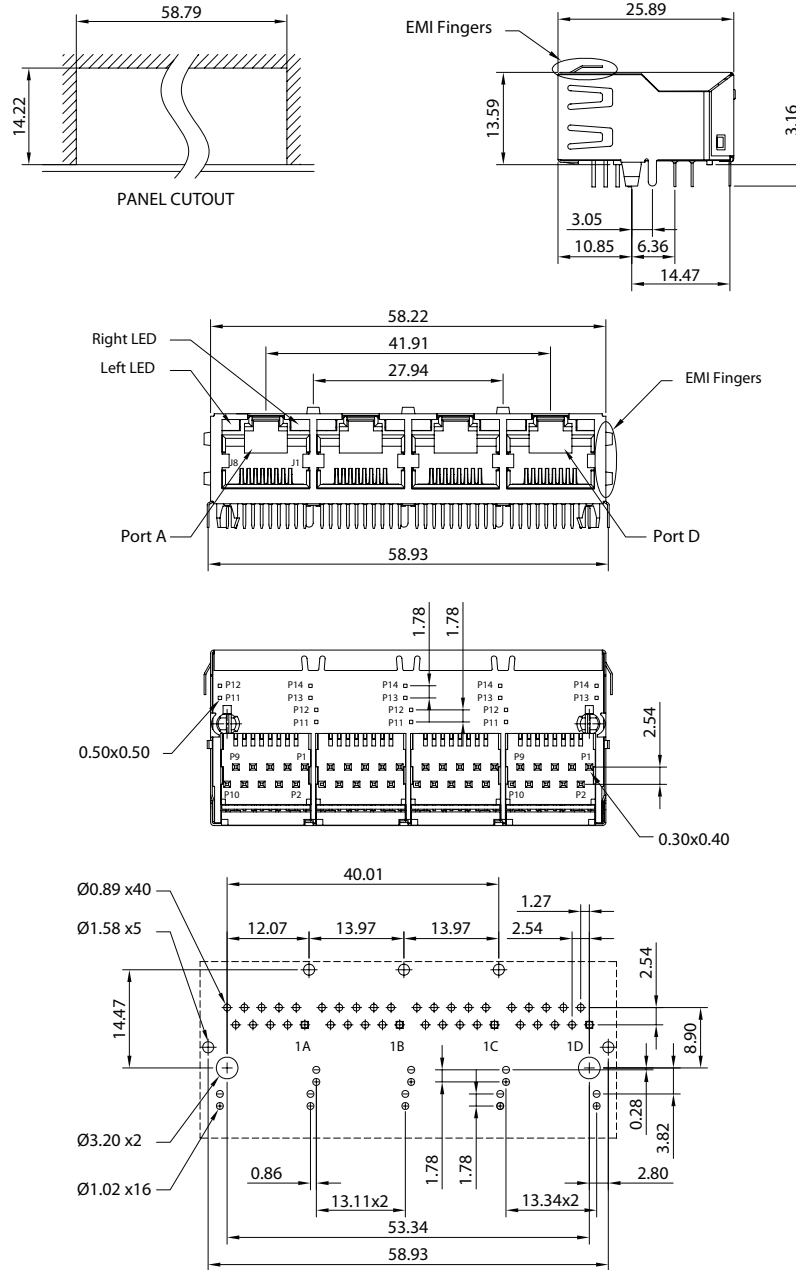
06.06.07



## CTRJG Series

### MECHANICAL

CTRJG26S4xxxxxxx



Suggested PCB Pad Layout  
Component Side View

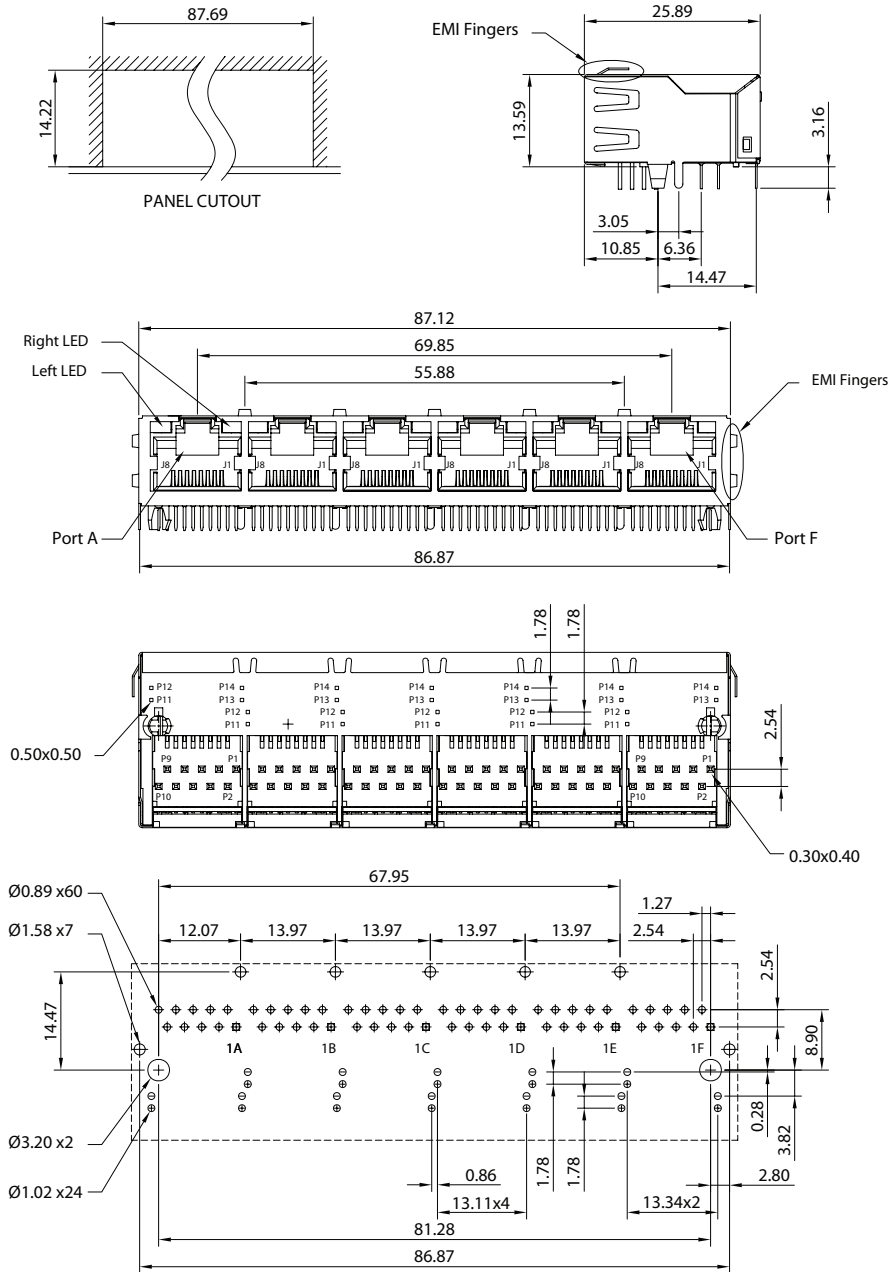
- NOTES : 1. Tolerance : PCB  $\pm 0.05\text{mm}$   
 Connector  $\pm 0.25\text{mm}$   
 2. Connector dimensions comply with FCC 68.5 dimension requirements

06.06.07

## CTRJG Series

### MECHANICAL

CTRJG26S6xxxxxxx



Suggested PCB Pad Layout  
Component Side View

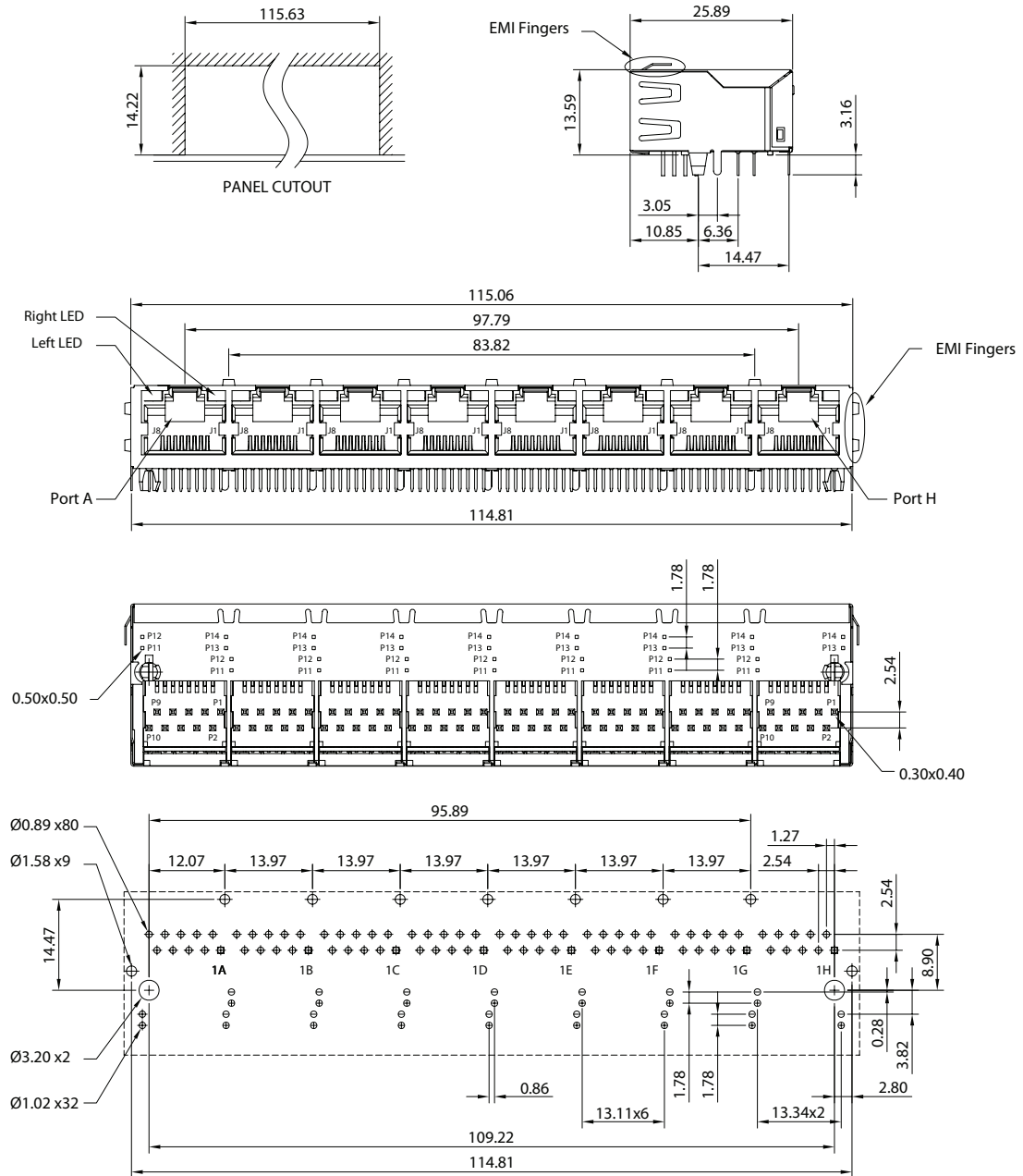
- NOTES : 1. Tolerance : PCB  $\pm 0.05$ mm  
 Connector  $\pm 0.25$ mm  
 2. Connector dimensions comply with FCC 68.5 dimension requirements

06.06.07

## CTRJG Series

### MECHANICAL

CTRJG26S8xxxxxxx



Suggested PCB Pad Layout  
Component Side View

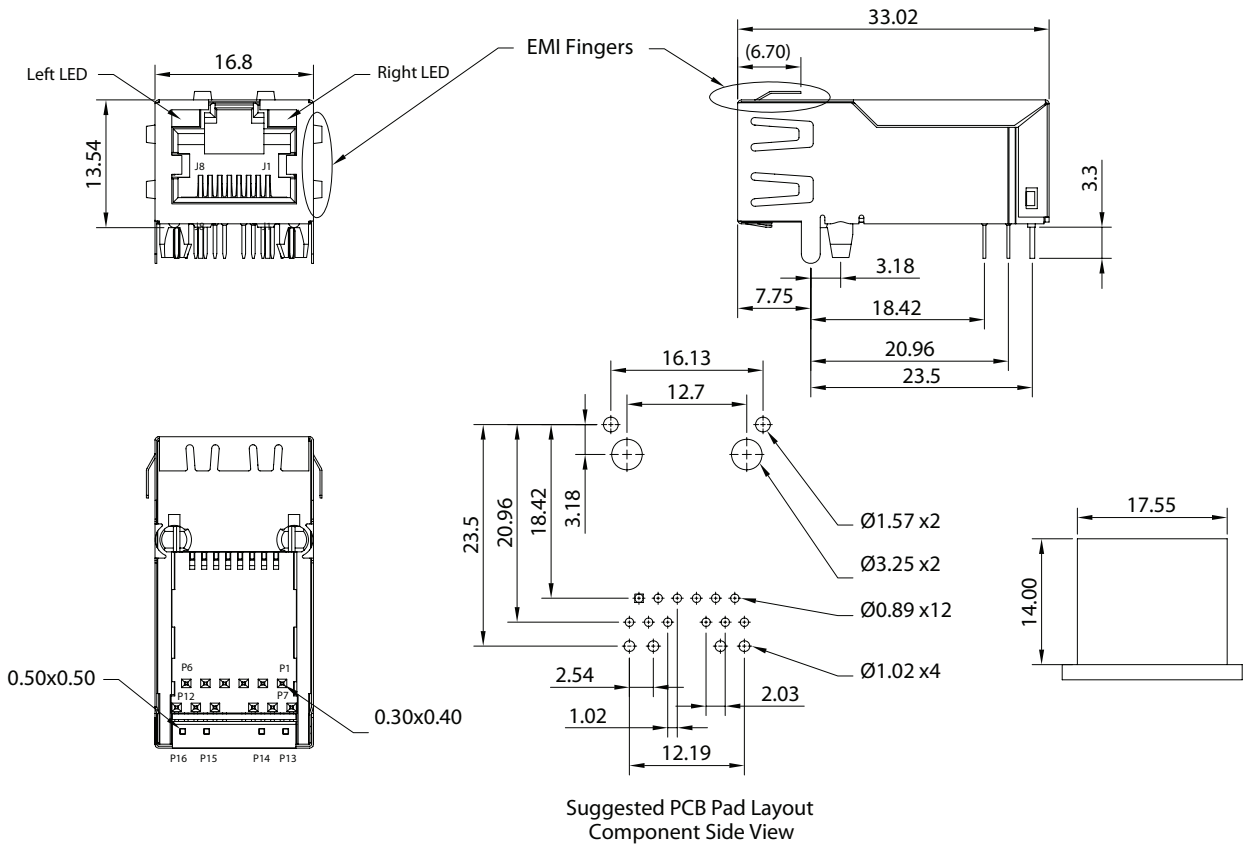
- NOTES : 1. Tolerance : PCB  $\pm 0.05\text{mm}$   
 Connector  $\pm 0.25\text{mm}$   
 2. Connector dimensions comply with FCC 68.5 dimension requirements

06.06.07

## CTRJG Series

### MECHANICAL

CTRJG3351xxxxxxx



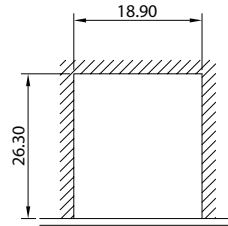
- NOTES : 1. Tolerance : PCB  $\pm 0.05$ mm  
 Connector  $\pm 0.25$ mm  
 2. Connector dimensions comply with FCC 68.5 dimension requirements

06.06.07

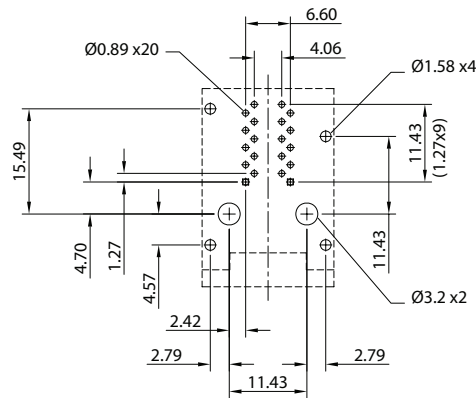
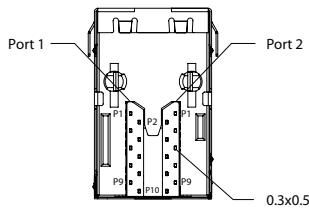
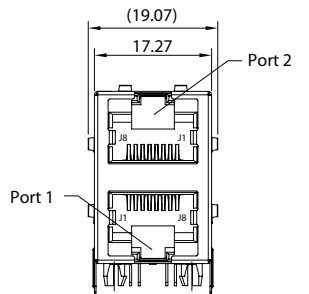
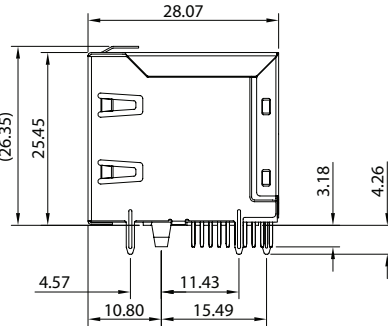
## CTRJG Series

### MECHANICAL

CTRJG29D1xxxxxxx



PANEL CUT OUT



Suggested PCB Pad Layout  
Component Side View

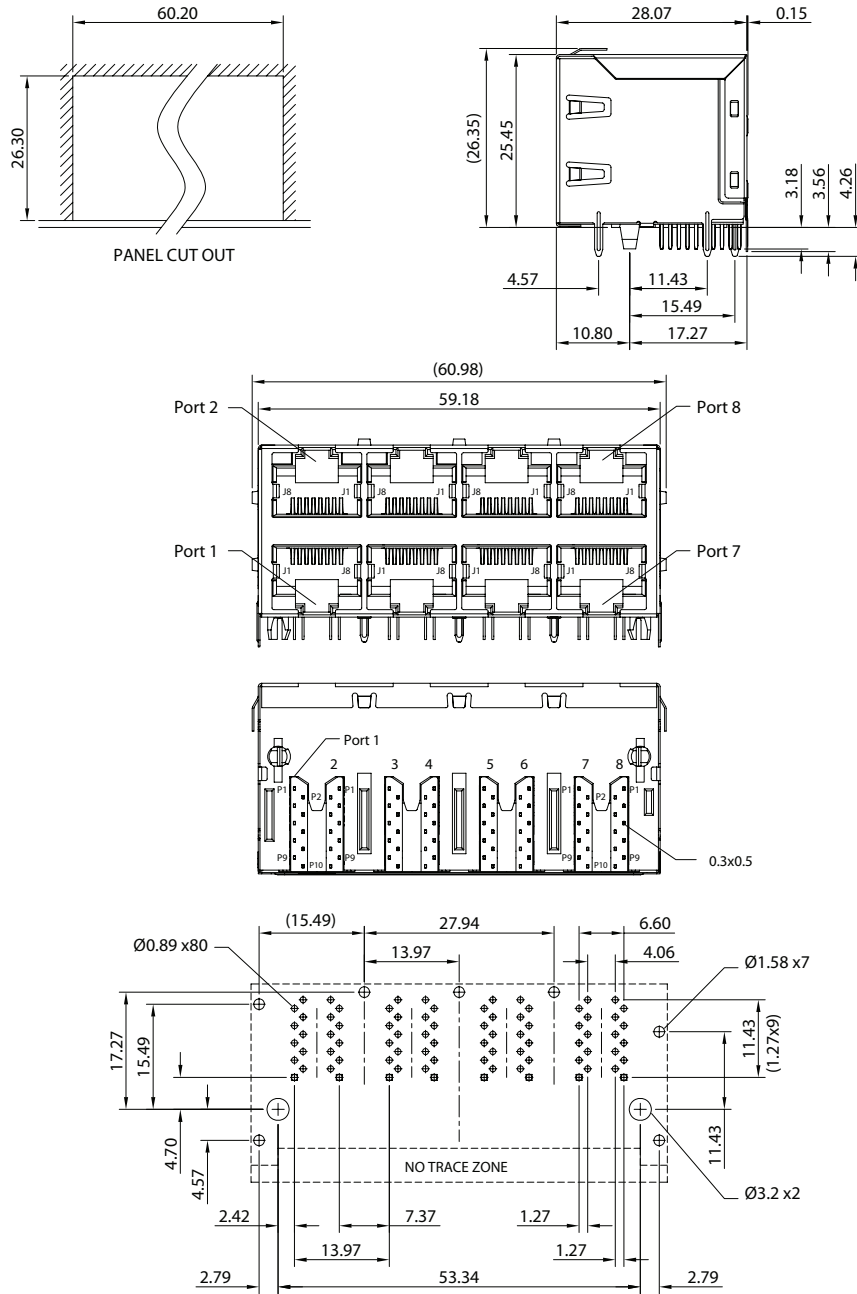
- NOTES : 1. Tolerance : PCB  $\pm 0.05\text{mm}$   
 Connector  $\pm 0.25\text{mm}$   
 2. Connector dimensions comply with FCC 68.5 dimension requirements

06.06.07

## CTRJG Series

### MECHANICAL

CTRJG29D4xxxxxxx



Suggested PCB Pad Layout  
Component Side View

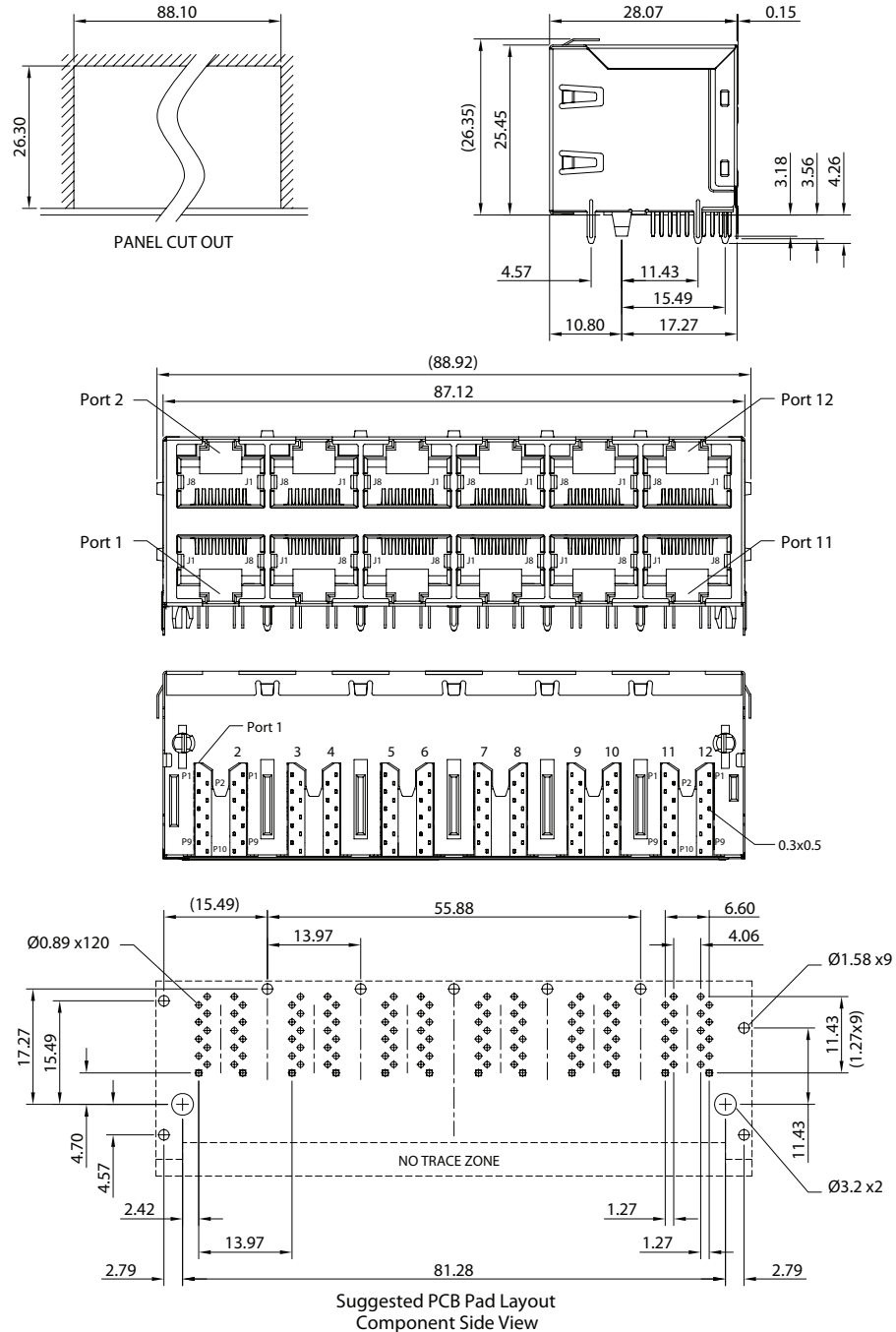
- NOTES : 1. Tolerance : PCB  $\pm 0.05$ mm  
Connector  $\pm 0.25$ mm  
2. Connector dimensions comply with FCC 68.5 dimension requirements

06.06.07

## CTRJG Series

### MECHANICAL

CTRJG29D6xxxxxxx



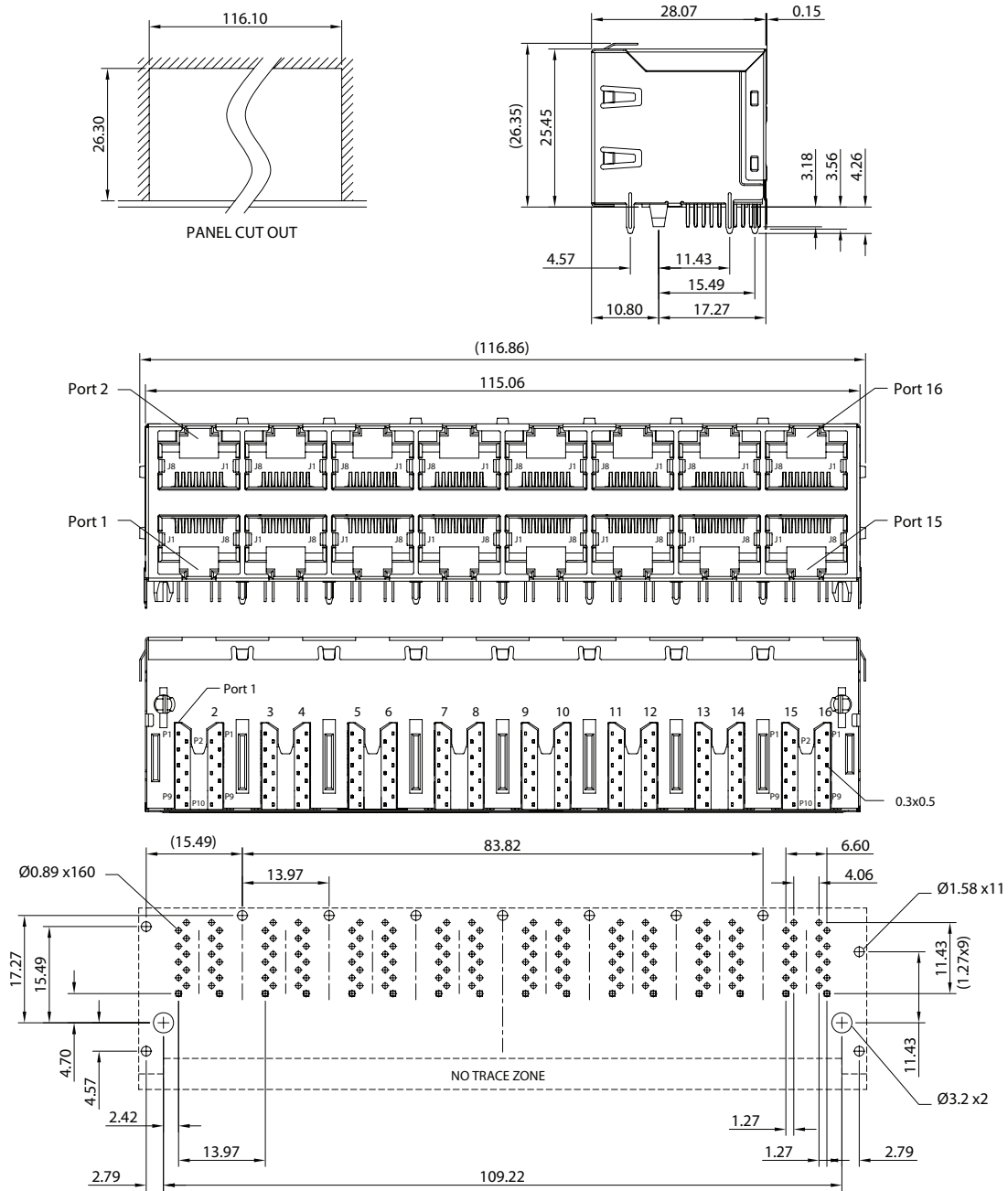
- NOTES : 1. Tolerance : PCB  $\pm 0.05$ mm  
 Connector  $\pm 0.25$ mm  
 2. Connector dimensions comply with FCC 68.5 dimension requirements

06.06.07

## CTRJG Series

### MECHANICAL

CTRJG29D8xxxxxxx



Suggested PCB Pad Layout  
Component Side View

- NOTES : 1. Tolerance : PCB  $\pm 0.05$ mm  
Connector  $\pm 0.25$ mm  
2. Connector dimensions comply with FCC 68.5 dimension requirements

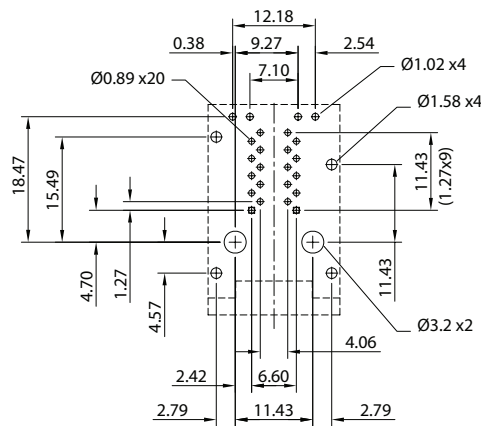
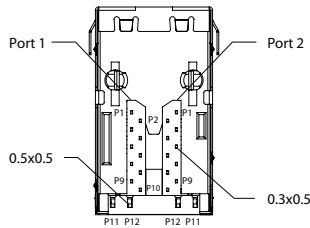
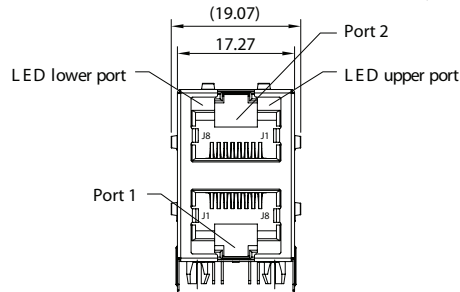
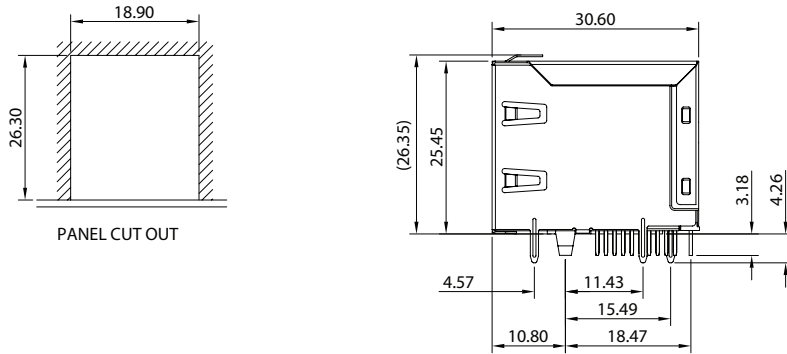
06.06.07



## CTRJG Series

### MECHANICAL

CTRJG31D1xxxxxx



Suggested PCB Pad Layout  
Component Side View

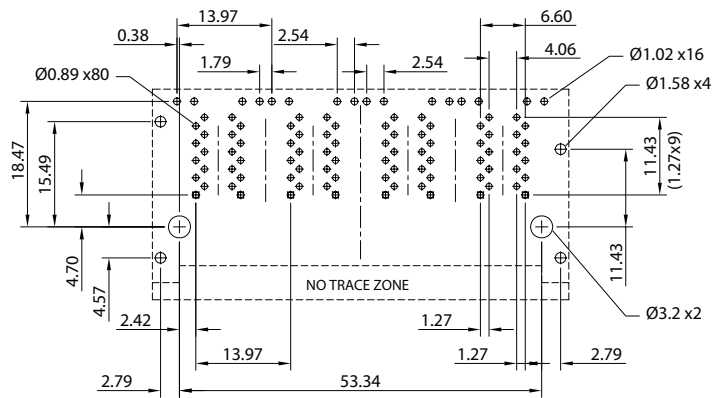
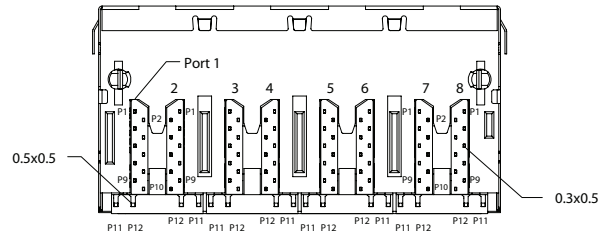
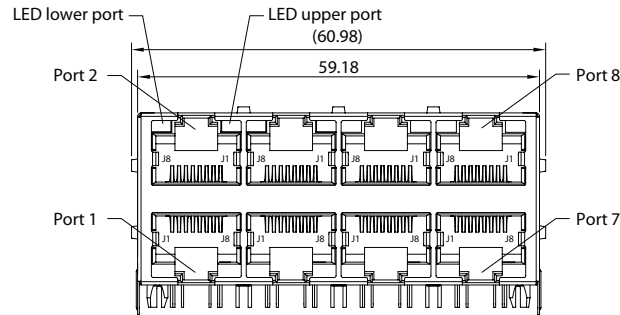
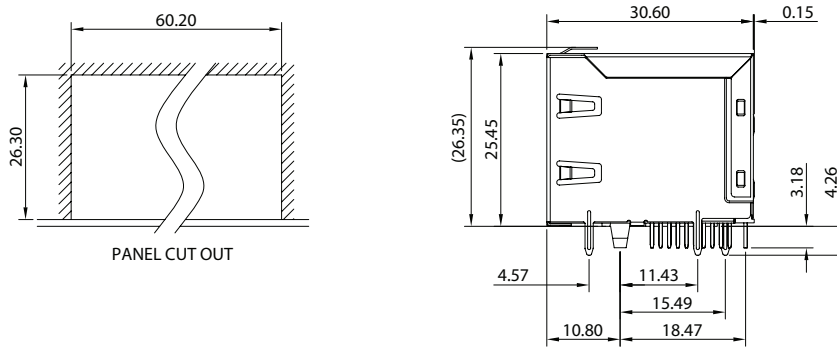
- NOTES : 1. Tolerance : PCB  $\pm 0.05\text{mm}$   
 Connector  $\pm 0.25\text{mm}$   
 2. Connector dimensions comply with FCC 68.5 dimension requirements

06.06.07

## CTRJG Series

### MECHANICAL

CTRJG31D4xxxxxxx



Suggested PCB Pad Layout  
Component Side View

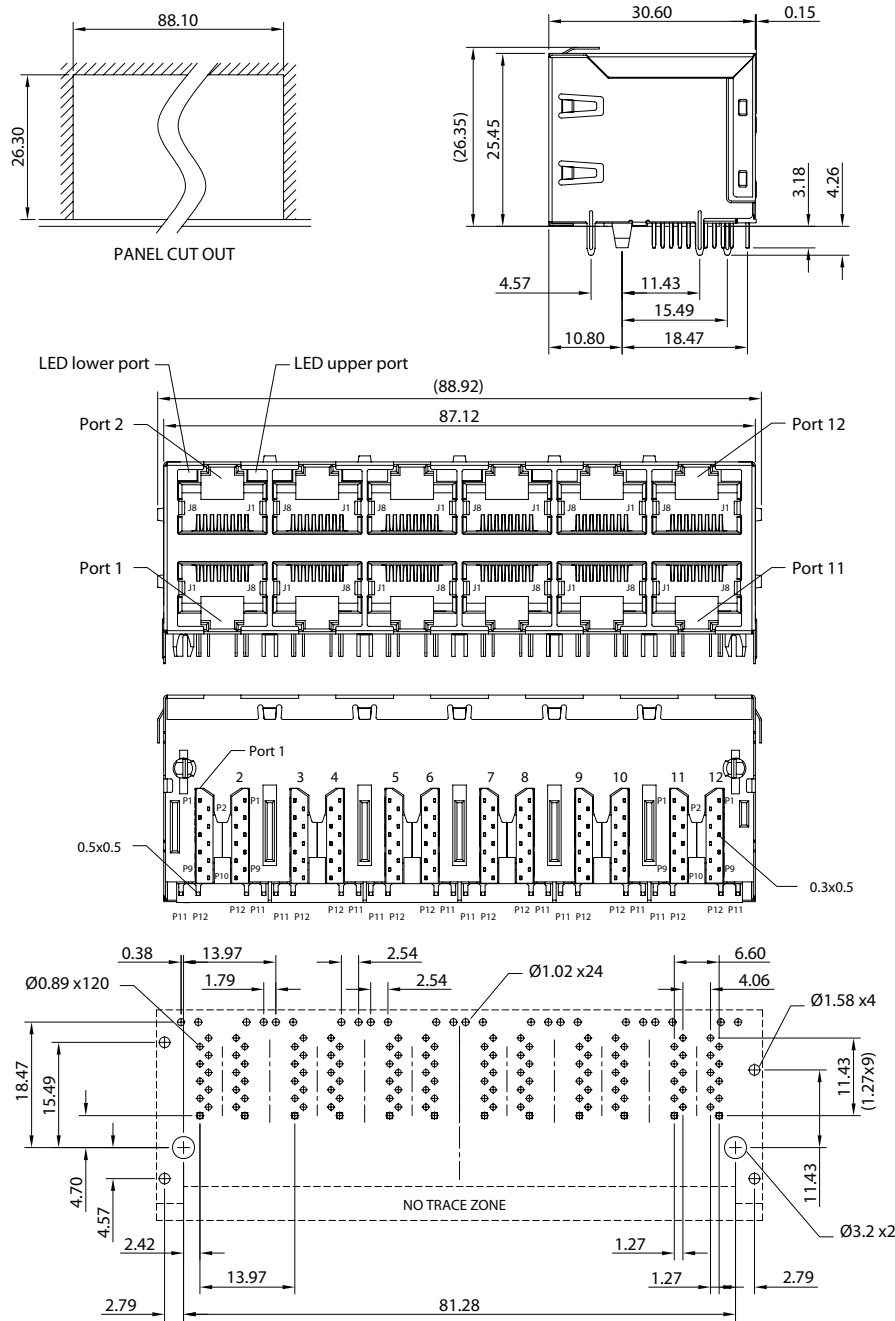
- NOTES : 1. Tolerance : PCB  $\pm 0.05\text{mm}$   
Connector  $\pm 0.25\text{mm}$   
2. Connector dimensions comply with FCC 68.5 dimension requirements

06.06.07

## CTRJG Series

### MECHANICAL

CTRJG31D6xxxxxxx



NOTES : 1. Tolerance : PCB ±0.05mm  
Connector ±0.25mm

2. Connector dimensions comply with FCC 68.5 dimension requirements

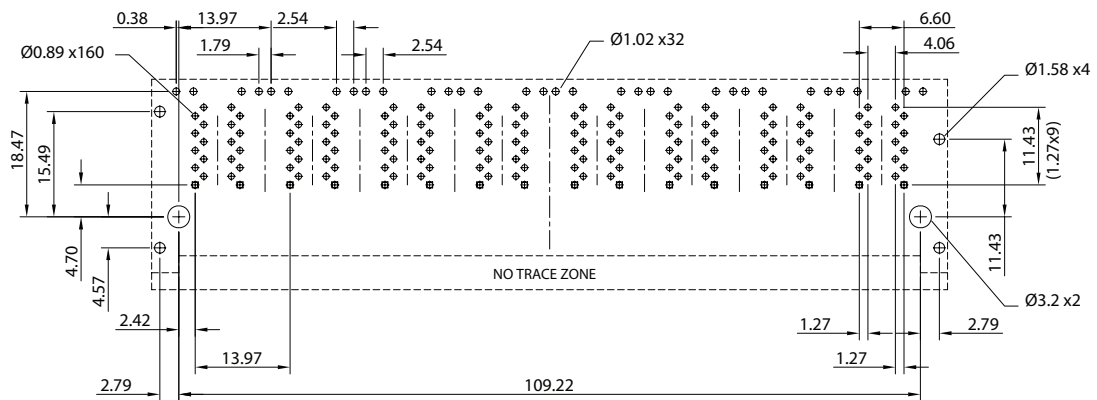
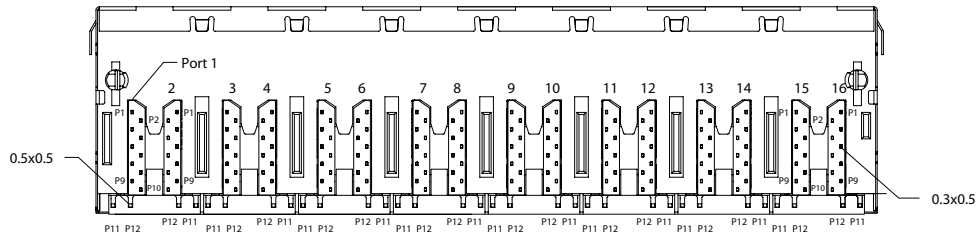
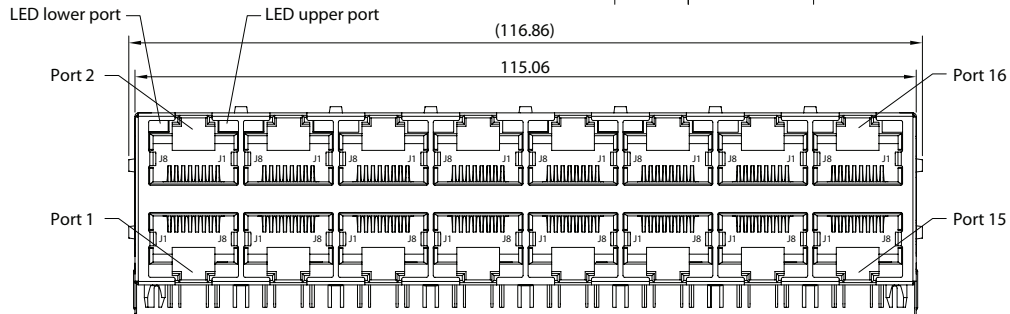
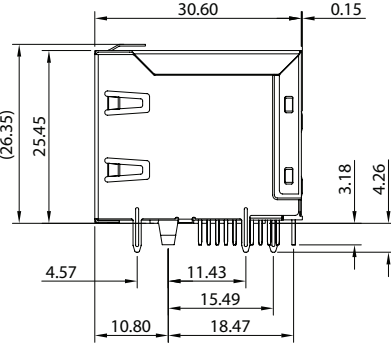
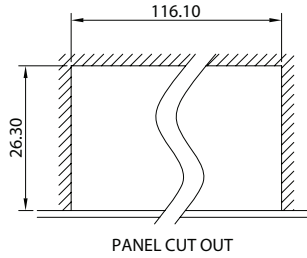
Suggested PCB Pad Layout  
Component Side View

06.06.07

## CTRJG Series

### MECHANICAL

CTRJG31D8xxxxxxx



Suggested PCB Pad Layout  
Component Side View

- NOTES : 1. Tolerance : PCB  $\pm 0.05\text{mm}$   
Connector  $\pm 0.25\text{mm}$   
2. Connector dimensions comply with FCC 68.5 dimension requirements

06.06.07