

## CTRJM Series

### CHARACTERISTICS

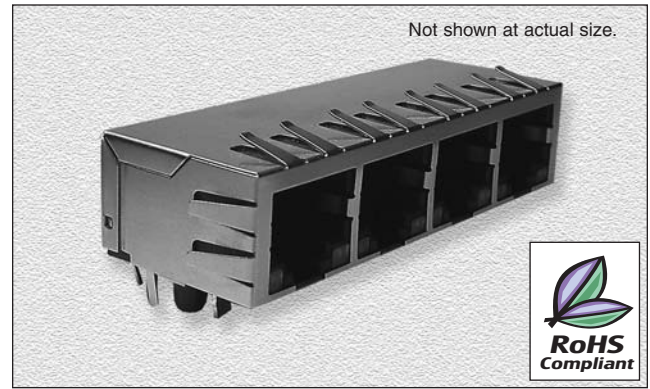
Options: 1x2, 1x4, 1x6 & 1x8 Port  
 Meets or exceeds IEEE 802.3 standard for 10/100 Base-TX  
 350  $\mu$ H minimum OCL with 8mA DC bias current  
 Available with or without LEDs  
 Minimum 1500Vrms isolation per IEEE 802.3 requirement  
 Operating temperature 0°C to +70°C  
 Storage temperature -40°C to +85°C

RoHS Compliant

**Transformer electrical specifications @ 25°C**

### MATERIAL SPECIFICATION

**Metal Shell:** Copper Alloy , Finish: 50 $\mu$ " Nickel  
**Housing:** Thermoplastic , UL 94V-0, Color Black  
**Insert:** Thermoplastic , UL 94V-0, Color Black  
 Contact Terminal / Phosphor Bronze, 15 $\mu$ " Gold on Contact Area,  
 100 $\mu$ " Tin on Solder, Both over 50 $\mu$ ", Nickel Under-Plated  
**Coil Base:** Phenolic/LCP, UL 94V-0, Color Black



### PART NUMBER CONFIGURATION

Series	Size Code	Layers	Port (Each Layer)	LED (L/R)	Tab	Schematic
CTRJM	22 26	S = Single	1	N = None	N = N/A	0811A, 0812A 0826A, 0811B 0812B, 0826B 0812C, 0826C
			2	G = Green	D = Down	
			4	Y = Yellow	U = Up	
			6 8	O = Orange		

**CTRJM 26 S 1 GY U 1001A**

### LED CONFIGURATION

Schematic	Standard LED	Wavelength ( $\lambda$ )	V / IF=20 mA		Image
			Max.	Typ.	
0811A 0812A 0826A	Yellow	585nm	2.5V	2.1V	
	Green	570nm	2.5V	2.1V	
	Orange	605nm	2.5V	2.1V	
0811B 0812B 0826B	Yellow	585nm	2.5V	2.1V	
	Green	570nm	2.5V	2.1V	
0812C 0826C	Yellow	585nm	2.5V	2.1V	
	Green	570nm	2.5V	2.1V	
	Orange	605nm	2.5V	2.1V	

12.01.06

## CTRJM Series

### ORDERING INFO

Part Number	Turns Ratio TX/RX	EMI Fingers	LEDs (L/R)	Insertion Loss (dB max.)		Return Loss 100Ω ± 15Ω (dB min.)					Cross Talk (dB min.)			C.M.R. (dB min)		Hi-pot (Vrms) 60HZ/1 min.
				1-100 MHz	1-30 MHz	1-60 MHz	60-80 MHz	80-100 MHz	1-30 MHz	1-60 MHz	30-60 MHz	60-100 MHz	1-60 MHz	60-100 MHz		
CTRJM22S1NND0811A	1CT:1CT	NO	N/N	-1.0	-18	-16	-12	-	-40	-	-35	-30	-40	-30	1500	
CTRJM22S1GYD0811A	1CT:1CT	YES	G/Y	-1.0	-18	-16	-12	-	-40	-	-35	-30	-40	-30	1500	
CTRJM22S1GGD0811A	1CT:1CT	YES	G/G	-1.0	-18	-16	-12	-	-40	-	-35	-30	-40	-30	1500	
CTRJM22S1YGD0811A	1CT:1CT	YES	Y/G	-1.0	-18	-16	-12	-	-40	-	-35	-30	-40	-30	1500	
CTRJM22S1NND0812A	1CT:1CT	NO	N/N	-1.0	-18	-16	-12	-	-40	-	-35	-30	-40	-30	1500	
CTRJM22S1GYD0812A	1CT:1CT	YES	G/Y	-1.0	-18	-16	-12	-	-40	-	-35	-30	-40	-30	1500	
CTRJM22S1GGD0812A	1CT:1CT	YES	G/G	-1.0	-18	-16	-12	-	-40	-	-35	-30	-40	-30	1500	
CTRJM22S1YGD0812A	1CT:1CT	YES	Y/G	-1.0	-18	-16	-12	-	-40	-	-35	-30	-40	-30	1500	
CTRJM22S1NND0826A	1CT:1CT	NO	N/N	-1.0	-18	-16	-12	-	-40	-	-35	-30	-40	-30	1500	
CTRJM22S1GYD0826A	1CT:1CT	YES	G/Y	-1.0	-18	-16	-12	-	-40	-	-35	-30	-40	-30	1500	
CTRJM22S1GGD0826A	1CT:1CT	YES	G/G	-1.0	-18	-16	-12	-	-40	-	-35	-30	-40	-30	1500	
CTRJM22S1YGD0826A	1CT:1CT	YES	Y/G	-1.0	-18	-16	-12	-	-40	-	-35	-30	-40	-30	1500	
CTRJM22S2NND0811B	1CT:1CT	YES	N/N	-1.0	-18	-16	-12	-10	-40	-35	-	-30	-40	-30	1500	
CTRJM22S2GYD0811B	1CT:1CT	YES	G/Y	-1.0	-18	-16	-12	-10	-40	-35	-	-30	-40	-30	1500	
CTRJM22S2NND0812B	1CT:1CT	YES	N/N	-1.0	-18	-16	-12	-10	-40	-35	-	-30	-40	-30	1500	
CTRJM22S2GYD0812B	1CT:1CT	YES	G/Y	-1.0	-18	-16	-12	-10	-40	-35	-	-30	-40	-30	1500	
CTRJM22S2NND0826B	1CT:1CT	YES	N/N	-1.0	-18	-16	-12	-10	-40	-35	-	-30	-40	-30	1500	
CTRJM22S2GYD0826B	1CT:1CT	YES	G/Y	-1.0	-18	-16	-12	-10	-40	-35	-	-30	-40	-30	1500	
CTRJM22S4NND0811B	1CT:1CT	YES	N/N	-1.0	-18	-16	-12	-10	-40	-35	-	-30	-40	-30	1500	
CTRJM22S4GYD0811B	1CT:1CT	YES	G/Y	-1.0	-18	-16	-12	-10	-40	-35	-	-30	-40	-30	1500	
CTRJM22S4NND0812B	1CT:1CT	YES	N/N	-1.0	-18	-16	-12	-10	-40	-35	-	-30	-40	-30	1500	
CTRJM22S4GYD0812B	1CT:1CT	YES	G/Y	-1.0	-18	-16	-12	-10	-40	-35	-	-30	-40	-30	1500	
CTRJM22S4NND0826B	1CT:1CT	YES	N/N	-1.0	-18	-16	-12	-10	-40	-35	-	-30	-40	-30	1500	
CTRJM22S4GYD0826B	1CT:1CT	YES	G/Y	-1.0	-18	-16	-12	-10	-40	-35	-	-30	-40	-30	1500	
CTRJM22S6NND0811B	1CT:1CT	YES	N/N	-1.0	-18	-16	-12	-10	-40	-35	-	-30	-40	-30	1500	
CTRJM22S6GYD0811B	1CT:1CT	YES	G/Y	-1.0	-18	-16	-12	-10	-40	-35	-	-30	-40	-30	1500	
CTRJM22S6NND0812B	1CT:1CT	YES	N/N	-1.0	-18	-16	-12	-10	-40	-35	-	-30	-40	-30	1500	
CTRJM22S6GYD0812B	1CT:1CT	YES	G/Y	-1.0	-18	-16	-12	-10	-40	-35	-	-30	-40	-30	1500	
CTRJM22S6NND0826B	1CT:1CT	YES	N/N	-1.0	-18	-16	-12	-10	-40	-35	-	-30	-40	-30	1500	
CTRJM22S6GYD0826B	1CT:1CT	YES	G/Y	-1.0	-18	-16	-12	-10	-40	-35	-	-30	-40	-30	1500	
CTRJM22S8NND0811B	1CT:1CT	YES	N/N	-1.0	-18	-16	-12	-10	-40	-35	-	-30	-40	-30	1500	
CTRJM22S8GYD0811B	1CT:1CT	YES	G/Y	-1.0	-18	-16	-12	-10	-40	-35	-	-30	-40	-30	1500	
CTRJM22S8NND0812B	1CT:1CT	YES	N/N	-1.0	-18	-16	-12	-10	-40	-35	-	-30	-40	-30	1500	
CTRJM22S8GYD0812B	1CT:1CT	YES	G/Y	-1.0	-18	-16	-12	-10	-40	-35	-	-30	-40	-30	1500	
CTRJM22S8NND0826B	1CT:1CT	YES	N/N	-1.0	-18	-16	-12	-10	-40	-35	-	-30	-40	-30	1500	
CTRJM22S8GYD0826B	1CT:1CT	YES	G/Y	-1.0	-18	-16	-12	-10	-40	-35	-	-30	-40	-30	1500	
CTRJM26S1NNU0812C	1CT:1CT	NO	N/N	-1.0	-18	-16	-12	-	-40	-	-35	-30	-40	-30	1500	
CTRJM26S1GYU0812C	1CT:1CT	YES	G/Y	-1.0	-18	-16	-12	-	-40	-	-35	-30	-40	-30	1500	
CTRJM26S1GGU0812C	1CT:1CT	YES	G/G	-1.0	-18	-16	-12	-	-40	-	-35	-30	-40	-30	1500	
CTRJM26S1YGU0812C	1CT:1CT	YES	Y/G	-1.0	-18	-16	-12	-	-40	-	-35	-30	-40	-30	1500	
CTRJM26S1NNU0826C	1CT:1CT	NO	N/N	-1.0	-18	-16	-12	-	-40	-	-35	-30	-40	-30	1500	
CTRJM26S1GYU0826C	1CT:1CT	YES	G/Y	-1.0	-18	-16	-12	-	-40	-	-35	-30	-40	-30	1500	
CTRJM26S1GGU0826C	1CT:1CT	YES	G/G	-1.0	-18	-16	-12	-	-40	-	-35	-30	-40	-30	1500	
CTRJM26S1YGU0826C	1CT:1CT	YES	Y/G	-1.0	-18	-16	-12	-	-40	-	-35	-30	-40	-30	1500	

12.01.06



Manufacturer of Passive and Discrete Semiconductor Components  
**800-684-5322** Inside US **949-453-1811** Outside US

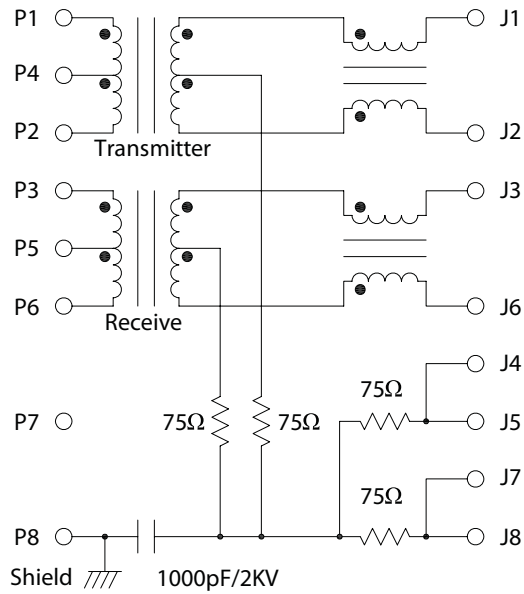
Copyright © 2006 by CT Magnetics, DBA Central Technologies. All rights reserved.

CT Magnetics reserves the right to make improvements or change specifications without notice

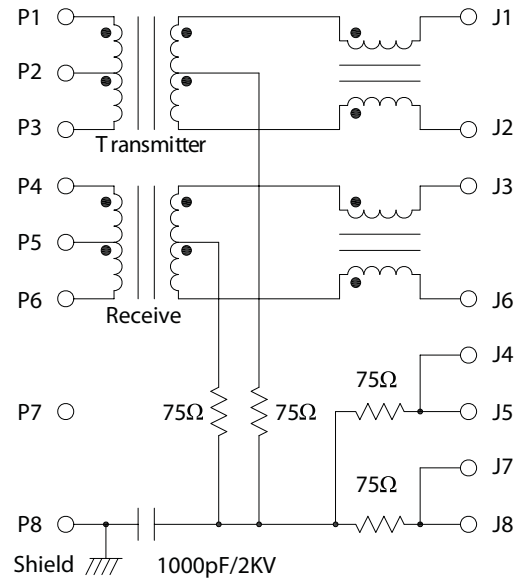
## CTRJM Series

### SCHEMATICS

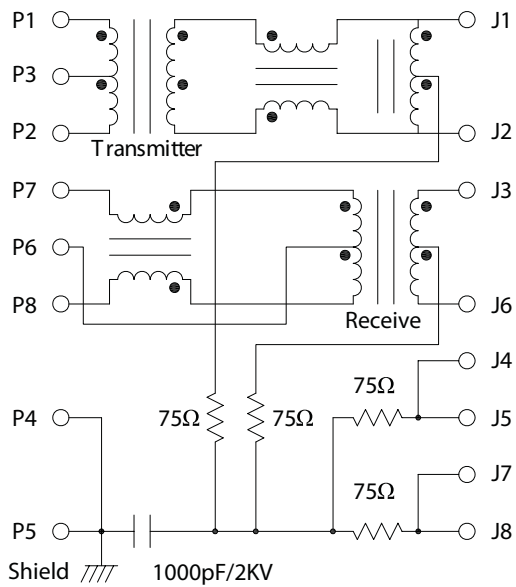
**0811A**



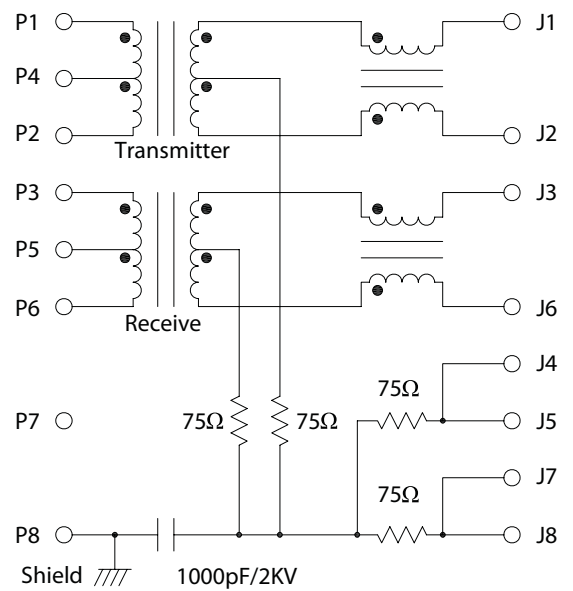
**0812A**



**0826A**



**0811B**

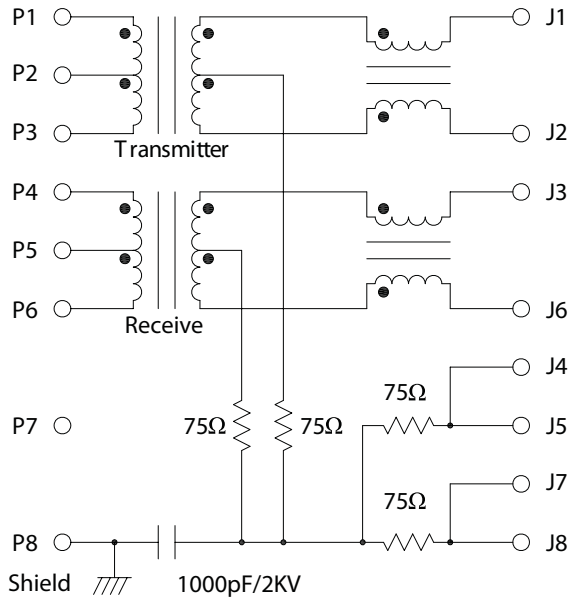


12.01.06

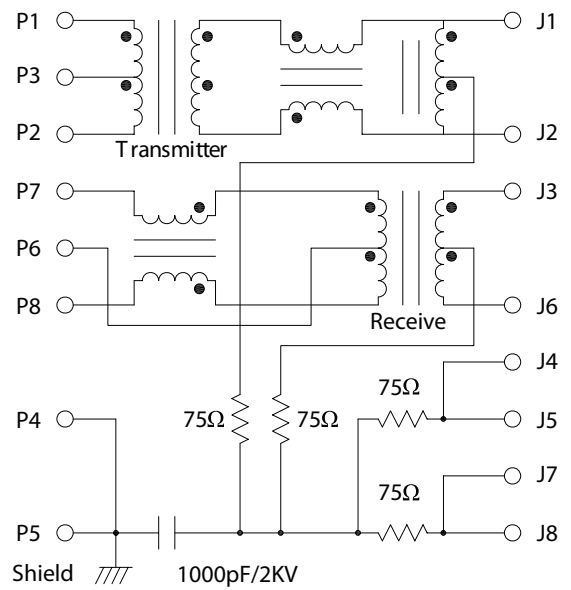
## CTRJM Series

### SCHEMATICS

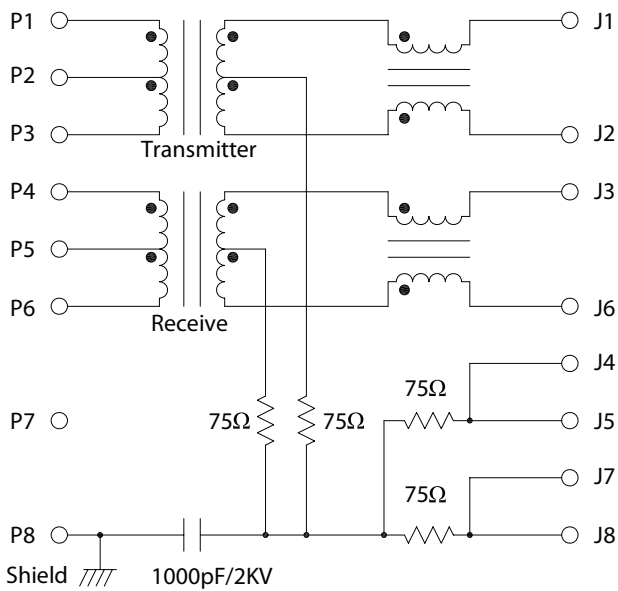
**0812B**



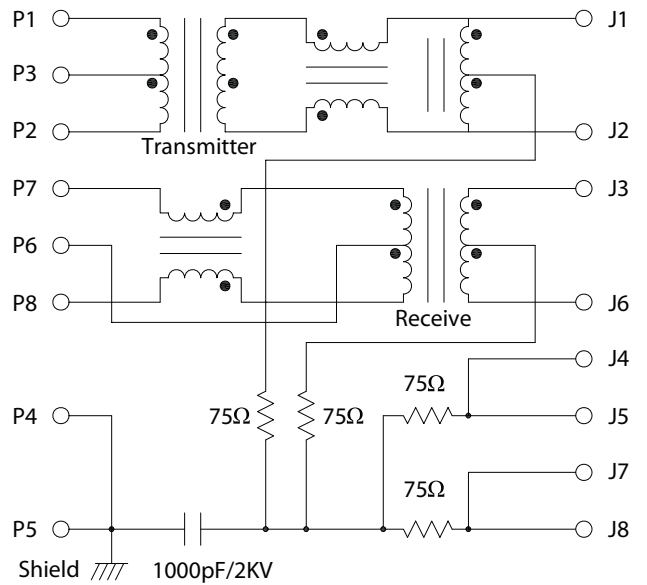
**0826B**



**0812C**



**0826C**

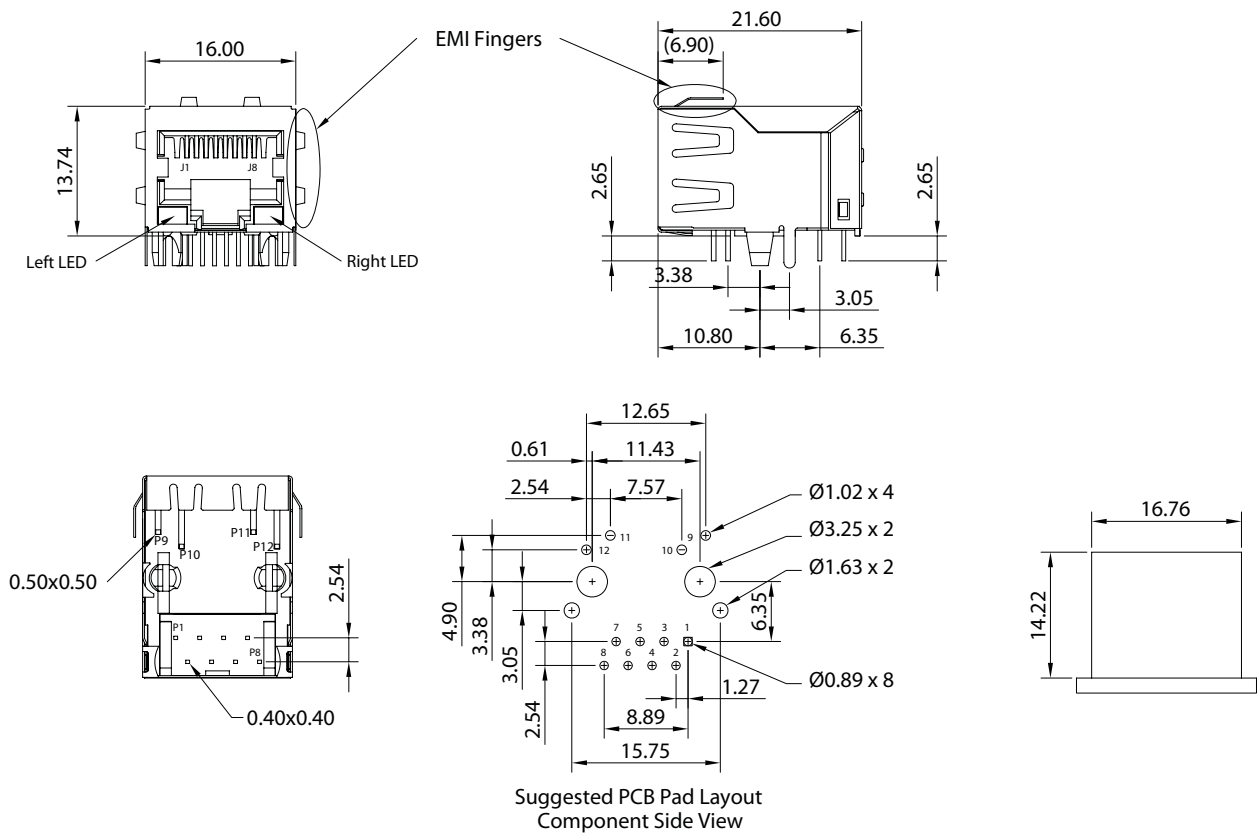


12.01.06

## CTRJM Series

### MECHANICAL

CTRJM22S1xxxxxxx



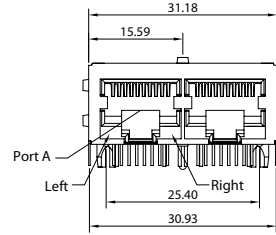
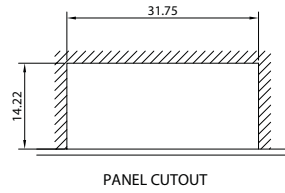
- NOTES : 1. Tolerance : PCB  $\pm 0.05\text{mm}$   
 Connector  $\pm 0.25\text{mm}$   
 2. Connector dimensions comply with FCC 68.5 dimension requirements

12.01.06

## CTRJM Series

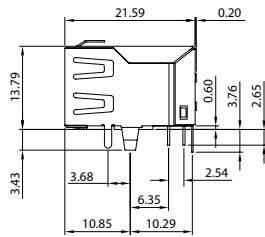
### MECHANICAL

#### CTRJM22S2xxxxxxx

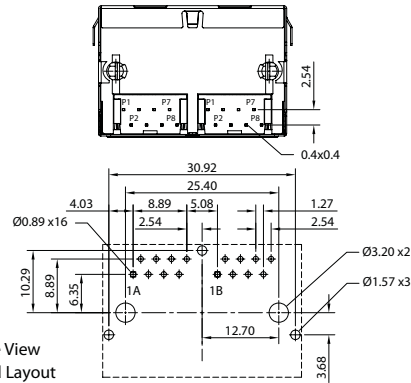


- NOTES : 1. Tolerance : PCB  $\pm 0.05\text{mm}$   
 Connector  $\pm 0.25\text{mm}$   
 2. Connector dimensions comply with FCC 68.5 dimension requirements

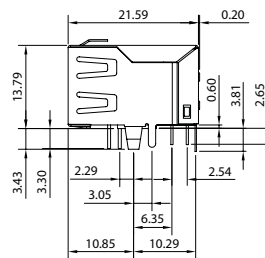
#### CTRJM22S2NNxxxxB



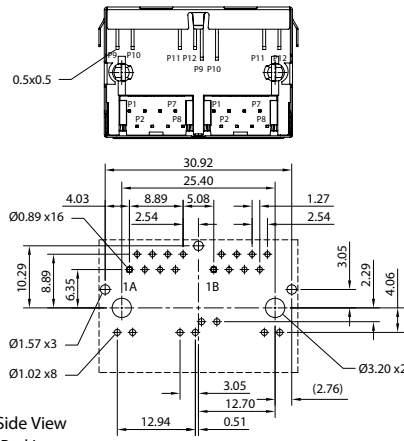
Component Side View  
 Suggested PCB Pad Layout



#### CTRJM22S2GYxxxxB



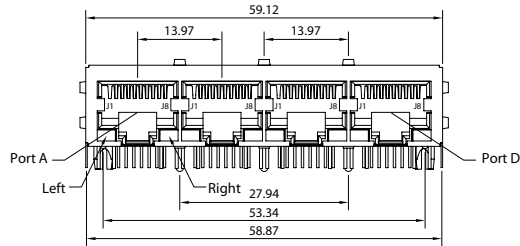
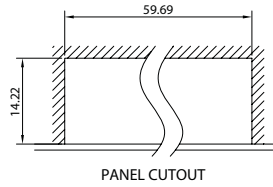
Component Side View  
 Suggested PCB Pad Layout



12.01.06

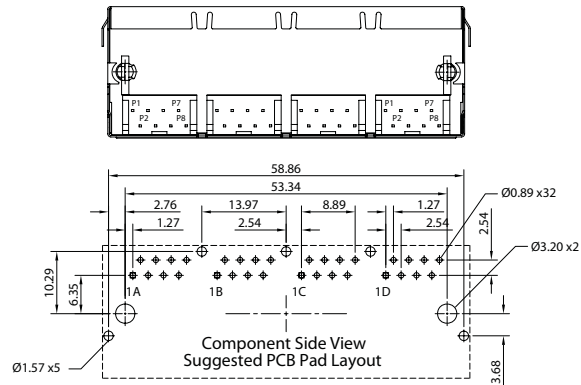
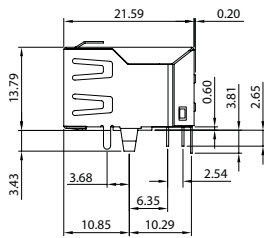
### MECHANICAL

#### CTRJM22S4xxxxxx

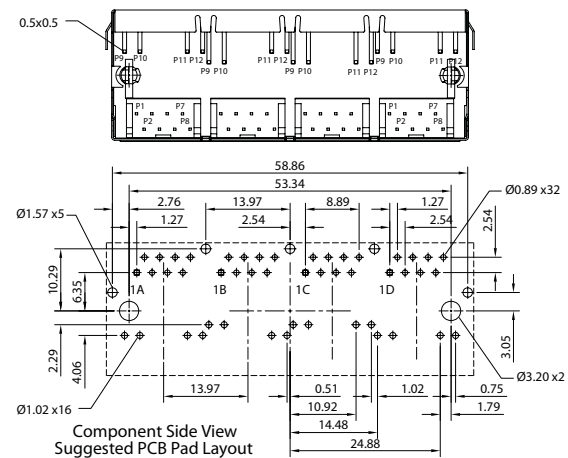
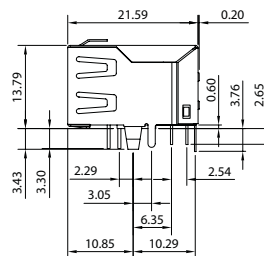


- NOTES : 1. Tolerance : PCB  $\pm 0.05\text{mm}$   
 Connector  $\pm 0.25\text{mm}$   
 2. Connector dimensions comply with FCC 68.5 dimension requirements

#### CTRJM22S4NNxxxxB



#### CTRJM22S4GYxxxxB

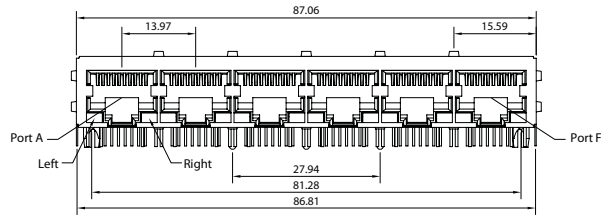
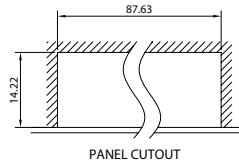


12.01.06

## CTRJM Series

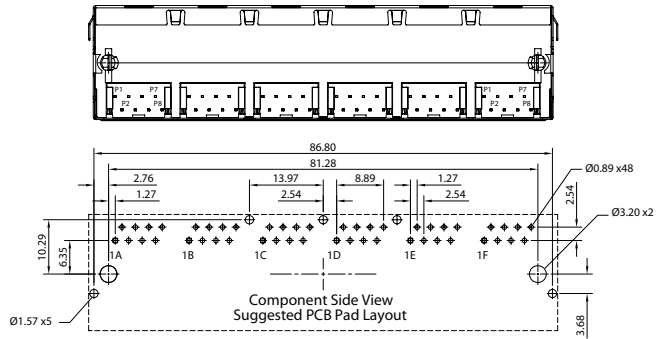
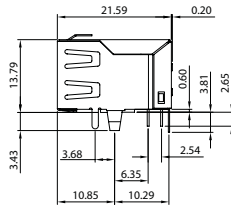
### MECHANICAL

#### CTRJM22S6xxxxxx

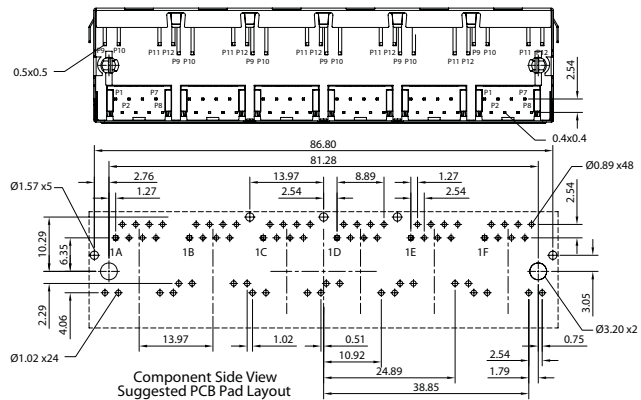
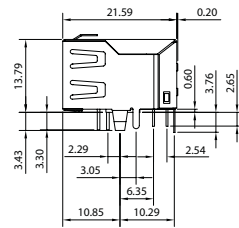


- NOTES : 1. Tolerance : PCB  $\pm 0.05\text{mm}$   
 Connector  $\pm 0.25\text{mm}$   
 2. Connector dimensions comply with FCC 68.5 dimension requirements

#### CTRJM22S6NNxxxxB



#### CTRJM22S6GYxxxxB



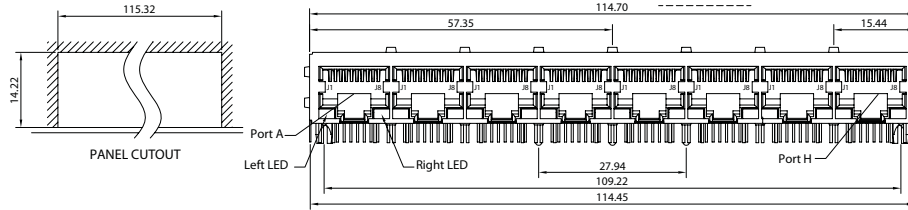
12.01.06



## CTRJM Series

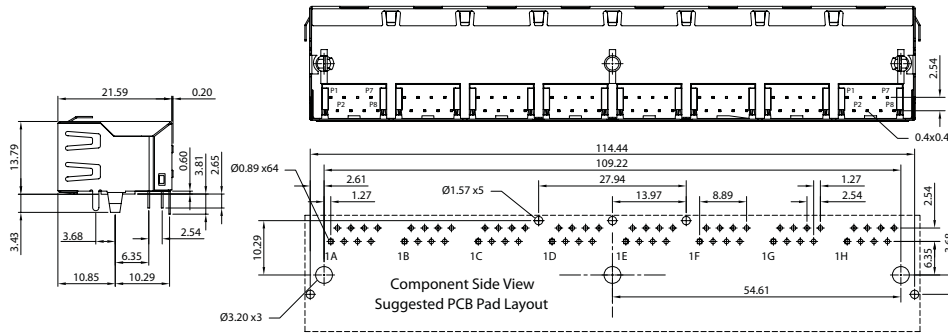
### MECHANICAL

#### CTRJM22S8xxxxxx

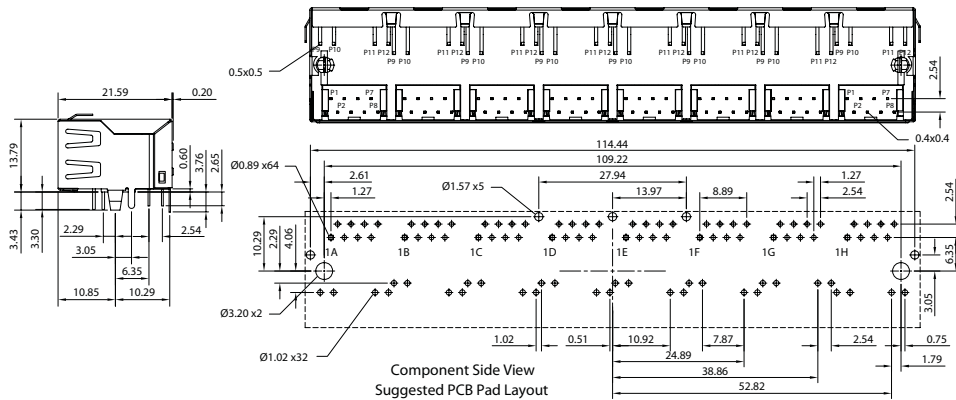


- NOTES : 1. Tolerance : PCB  $\pm 0.05\text{mm}$   
 Connector  $\pm 0.25\text{mm}$   
 2. Connector dimensions comply with FCC 68.5 dimension requirements

#### CTRJM22S8NNxxxxB



#### CTRJM22S8GYxxxxB

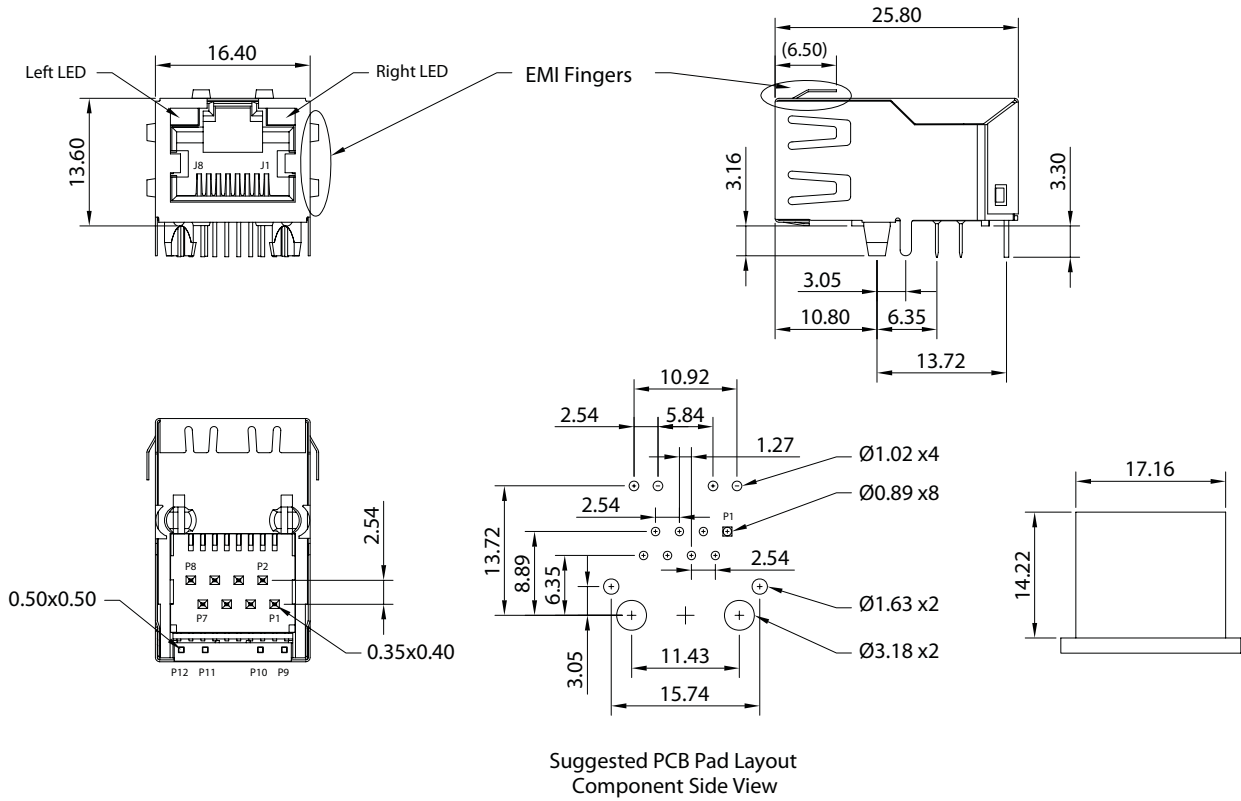


12.01.06

## CTRJM Series

### MECHANICAL

CTRJM26S1xxxxxxx



- NOTES : 1. Tolerance : PCB  $\pm 0.05\text{mm}$   
 Connector  $\pm 0.25\text{mm}$   
 2. Connector dimensions comply with FCC 68.5 dimension requirements

12.01.06