

AccessRunner™ ADSL-USB Modem Device Set

Scalable, Discrete Multitone-based, T1.413 Issue 2, G.992.1 (G.dmt), and G.992.2 (G.lite) - Compliant ADSL Modem Device Set

Data Sheet

Conexant Proprietary Information

Revision History

Revision	Date	Comments
A	1/27/2000	Initial release
B	5/4/2000	Added hardware interface tables and host interface description.

© 2000, Conexant Systems, Inc.
All Rights Reserved.

Information in this document is provided in connection with Conexant Systems, Inc. ("Conexant") products. These materials are provided by Conexant as a service to its customers and may be used for informational purposes only. Conexant assumes no responsibility for errors or omissions in these materials. Conexant may make changes to specifications and product descriptions at any time, without notice. Conexant makes no commitment to update the information and shall have no responsibility whatsoever for conflicts or incompatibilities arising from future changes to its specifications and product descriptions.

No license, express or implied, by estoppel or otherwise, to any intellectual property rights is granted by this document. Except as provided in Conexant's Terms and Conditions of Sale for such products, Conexant assumes no liability whatsoever.

THESE MATERIALS ARE PROVIDED "AS IS" WITHOUT WARRANTY OF ANY KIND, EITHER EXPRESS OR IMPLIED, RELATING TO SALE AND/OR USE OF CONEXANT PRODUCTS INCLUDING LIABILITY OR WARRANTIES RELATING TO FITNESS FOR A PARTICULAR PURPOSE, CONSEQUENTIAL OR INCIDENTAL DAMAGES, MERCHANTABILITY, OR INFRINGEMENT OF ANY PATENT, COPYRIGHT OR OTHER INTELLECTUAL PROPERTY RIGHT. CONEXANT FURTHER DOES NOT WARRANT THE ACCURACY OR COMPLETENESS OF THE INFORMATION, TEXT, GRAPHICS OR OTHER ITEMS CONTAINED WITHIN THESE MATERIALS. CONEXANT SHALL NOT BE LIABLE FOR ANY SPECIAL, INDIRECT, INCIDENTAL, OR CONSEQUENTIAL DAMAGES, INCLUDING WITHOUT LIMITATION, LOST REVENUES OR LOST PROFITS, WHICH MAY RESULT FROM THE USE OF THESE MATERIALS.

Conexant products are not intended for use in medical, lifesaving or life sustaining applications. Conexant customers using or selling Conexant products for use in such applications do so at their own risk and agree to fully indemnify Conexant for any damages resulting from such improper use or sale.

The following are trademarks of Conexant Systems, Inc.: Conexant™, the Conexant C symbol, "What's Next in Communications Technologies"™, and AccessRunner™. Product names or services listed in this publication are for identification purposes only, and may be trademarks of third parties. Third-party brands and names are the property of their respective owners.

For additional disclaimer information, please consult Conexant's Legal Information posted at www.conexant.com, which is incorporated by reference.

Reader Response: Conexant strives to produce quality documentation and welcomes your feedback. Please send comments and suggestions to tech.pubs@conexant.com. For technical questions, contact your local Conexant sales office or field applications engineer.

Contents

1. Introduction	1-1
1.1 Overview.....	1-1
1.2 Applications.....	1-1
1.3 Features.....	1-3
1.3.1 P5200 USB Interface Controller Features.....	1-3
1.3.2 CX11627 ADSL DMT Data Pump Features.....	1-3
1.3.3 CX20431 ADSL Analog Front End Features.....	1-4
1.3.4 CX20441 ADSL Line Driver Features.....	1-4
1.4 Reference Design.....	1-4
2. System Description	2-1
2.1 General Description.....	2-1
2.1.1 Boot ROM and Power Up Procedure.....	2-1
2.1.2 Serial EEPROM Programming Utility.....	2-1
2.2 ADSL Operation.....	2-1
2.2.1 ADSL Operating Modes.....	2-1
Full Rate ADSL Modes.....	2-1
G.lite Splitterless Mode.....	2-1
LAN Mode.....	2-1
WAN Mode.....	2-1
2.2.2 Host Software.....	2-2
2.2.3 Control Panel.....	2-2
2.2.4 Installation Wizard.....	2-2
2.3 Device Description.....	2-2
2.3.1 P5200 UIC Description.....	2-2
ARM Processor.....	2-2
External Memory Controller.....	2-2
Host Interface.....	2-3
ADSL Interface.....	2-3
USB Interface.....	2-3
LED Interface.....	2-3
EEPROM Interface.....	2-3
General Purpose Input/Output Interface.....	2-3
2.3.2 CX11627 ADDP Description.....	2-4
ATM Transmission Convergence.....	2-4
Digital Interface.....	2-4
QAM Encoder/Decoder.....	2-4
FFT.....	2-4
Analog Front End Interface.....	2-4
Microcontroller Interface.....	2-4
2.3.3 CX20431 AFE Description.....	2-5
2.3.4 CX20441 LD Description.....	2-6
3. Hardware Interface	3-1
3.1 P5200 UIC Hardware Interface Signals.....	3-1
3.1.1 P5200 UIC Signal Interface, Pin Assignments, and Signal Definitions.....	3-1
P5200 UIC Electrical and Environmental Specifications.....	3-8
3.2 CX11627 ADDP Hardware Interface Signals.....	3-10
3.2.1 CX11627 ADDP Hardware Signals, Pin Assignments, and Signal Definitions.....	3-10
3.2.2 CX11627 ADDP Electrical and Environmental Specifications.....	3-17
3.3 CX20431 AFE Hardware Interface Signals.....	3-19
3.3.1 CX20431 AFE Hardware Signals, Pin Assignments, and Signal Definitions.....	3-19
3.3.2 CX20431 AFE Electrical and Environmental Specifications.....	3-22

3.4	CX20441 LD Hardware Interface Signals.....	3-24
3.4.1	CX20441 LD Hardware Signals, Pin Assignments, and Signal Definitions.....	3-24
3.4.2	CX20441 LD Electrical and Environmental Specifications.....	3-27
4.	USB General Operation	4-1
4.1	Descriptors	4-1
4.1.1	Device Descriptor.....	4-1
4.1.2	Configuration Descriptor	4-3
4.1.3	Interface Descriptor.....	4-4
4.1.4	Endpoint Descriptor	4-5
4.1.5	Enumeration.....	4-6
4.1.6	Endpoint Pairs.....	4-6
4.1.7	Language ID Table.....	4-6
4.1.8	Manufacturer String Table.....	4-6
4.1.9	Product ID String Table.....	4-7
4.1.10	Serial Number String Table.....	4-8
5.	Package Dimensions	5-1

Figures

Figure 1-1. AccessRunner ADSL-USB Modem Device Set Simplified Hardware Interface.....	1-1
Figure 1-2. AccessRunner ADSL-USB Modem Device Set Major Interfaces	1-2
Figure 2-1. P5200 UIC Block Diagram	2-3
Figure 2-2. CX11627 ADDP Block Diagram	2-4
Figure 2-3. CX20431 AFE Block Diagram.....	2-5
Figure 2-4. CX20441 LD Block Diagram	2-6
Figure 3-1. P5200 UIC Hardware Interface Signals	3-2
Figure 3-2. P5200 UIC Pin Signals-176-Pin TQFP.....	3-3
Figure 3-3. CX11627 ADDP Hardware Interface Signals	3-11
Figure 3-4. CX11627 ADDP Pin Signals - 176-Pin TQFP	3-12
Figure 3-5. CX20431 AFE Hardware Interface Signals	3-19
Figure 3-6. CX20431 AFE Pin Signals - 32-Pin TQFP	3-19
Figure 3-7. CX20441 LD Hardware Interface Signals	3-25
Figure 3-8. CX20441 LD Pin Signals - 32-Pin TQFP.....	3-25
Figure 5-1. Package Dimensions - 176-Pin TQFP	5-1
Figure 5-2. Package Dimensions - 32-Pin TQFP	5-2

Tables

Table 1-1. AccessRunner ADSL-USB Modem Device Set Models and Part Numbers	1-2
Table 3-1. P5200 UIC Hardware Signal Definitions.....	3-4
Table 3-2. P5200 UIC Input/Output Type Descriptions	3-7
Table 3-3. P5200 UIC DC Electrical Characteristics	3-8
Table 3-4. P5200 UIC Operating Conditions	3-9
Table 3-5. P5200 UIC Absolute Maximum Ratings	3-9
Table 3-6. P5200 UIC Power Consumption.....	3-9
Table 3-7. CX11627 ADDP Hardware Signal Definitions	3-13
Table 3-8. CX11627 ADDP Input/Output Type Descriptions	3-16
Table 3-9. CX11627 ADDP DC Electrical Characteristics	3-17
Table 3-10. CX11627 ADDP Operating Conditions.....	3-18
Table 3-11. CX11627 ADDP Absolute Maximum Ratings	3-18
Table 3-12. CX11627 ADDP Power Consumption	3-18
Table 3-13. CX20431 AFE Hardware Signal Definitions	3-20
Table 3-14. CX20431 AFE Input/Output Type Descriptions	3-21
Table 3-15. CX20431 AFE DC Electrical Characteristics	3-22
Table 3-16. CX20431 AFE Analog Electrical Characteristics	3-22
Table 3-17. CX20431 AFE Operating Conditions.....	3-23
Table 3-18. CX20431 AFE Absolute Maximum Ratings	3-23
Table 3-19. CX20431 AFE Power Consumption	3-23
Table 3-20. CX20441 LD Hardware Signal Definitions.....	3-26
Table 3-21. CX20441 LD Input/Output Type Descriptions	3-26
Table 3-22. CX20441 LD Analog Electrical Characteristics	3-27
Table 3-23. CX20441 LD Operating Conditions	3-27
Table 3-24. CX20441 LD Absolute Maximum Ratings	3-27
Table 3-25. CX20441 LD Power Consumption.....	3-27
Table 4-1. Device Descriptors	4-2
Table 4-2. Configuration Descriptors	4-3
Table 4-3. Interface Descriptors	4-4
Table 4-4. Endpoint Descriptors	4-5
Table 4-5. Endpoint Pairs	4-6
Table 4-6. Language ID Table.....	4-6
Table 4-7. Manufacturer String Table.....	4-6
Table 4-8. Product ID String Table	4-7
Table 4-9. Serial Number String Table	4-8

1. Introduction

1.1 Overview

The Conexant AccessRunner™ ADSL-USB Modem Device Set combines an “always-on” high speed Asymmetric Digital Subscriber Line (ADSL) connection to the telephone line, and Universal Serial Bus (USB) connection to a host PC into a single cost-effective solution.

Conexant’s AccessRunner™ ADSL modem device set is compliant with the full-rate ANSI T1.413 Issue 2 and ITU G.dmt (G.992.1) ADSL standards, and with the splitterless ITU G.lite (G.992.2) specification. This rate-adaptive solution is designed for Customer Premise Equipment and supports downstream data rates of up to 8 Mbps and upstream data rates of up to 1 Mbps.

The device set takes advantage of the processing power available with today’s computers by eliminating the need for a separate ATM Segmentation and Reassembly (SAR) device, resulting in a cost-effective solution suitable for both full rate and G.lite applications. Additionally, host-based software provides support for current industry standards for PPP over ATM (RFC 2364) and bridged Ethernet over ATM (RFC 1483) for Windows 98 and Windows 2000.

The USB specification version 1.1 is supported and is the preferred standard method to connect peripherals to PCs.

During periods of no data transmission, the Conexant ADSL DMT data pump performs idle cell insertion and deletion thus unloading this task from the host PC.

The device set consists of four devices (see Figure 1-1 and Figure 1-2):

- USB Interface Controller (UIC), part no. P5200, in a 176-pin TQFP
- ADSL DMT Data Pump (ADDP), part no. CX11627, in a 176-pin TQFP
- Analog Front End (AFE), part no. CX20431, in a 32-pin TQFP
- Line Driver (LD), part no. CX20441, in a 32-pin TQFP

ADSL (Asymmetric Digital Subscriber Line) is a transmission technology used to carry user data over a single twisted pair line between the Central Office and the Customer Premises. The downstream (Central Office to Customer Premises) direction typically supports a much higher data rate than the upstream or return (Customer Premises to Central Office) channel. This asymmetric nature lends itself to applications like remote LAN access, Internet access, and video delivery. The downstream data rates can go up to 8 Mbps. The upstream data rates can go up to 1 Mbps. Actual data rates depend on the transceiver implementation, loop length, impairments, and transmitted power.

The Conexant ADSL-USB Modem Device Set is based upon a scalable architecture. This architecture enables the device set to support splitterless G.lite as well as splintered and splitterless full-rate ADSL. G.lite enables telephone companies to deploy consumer-oriented, “always on” 1.5 Mbps Internet access services without the need for splitter equipment, micro-filters, or wiring changes at the customer premises.

1.2 Applications

- ADSL Customer Premise Equipment
- ADSL USB modems for desktop PCs
- ADSL USB modems for notebook PCs

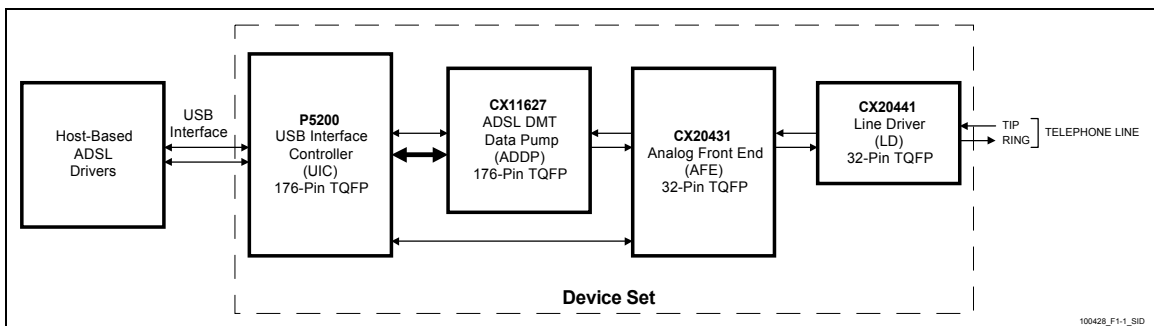


Figure 1-1. AccessRunner ADSL-USB Modem Device Set Simplified Hardware Interface

Table 1-1. AccessRunner ADSL-USB Modem Device Set Models and Part Numbers

Model/Order/Part Numbers					
Marketing Name	Device Set Order No.	USB Interface Controller (UIC) [176-pin TQFP] Part No.	ADSL DMT Data Pump (ADDP) [176-pin TQFP] Part No.	Analog Front End (AFE) [32-pin TQFP] Part No.	Line Driver (LD) [32-pin TQFP] Part No.
AccessRunner™ ADSL-USB Modem Device Set	DSAR-L100-501	P5200-12	CX11627-11	CX20431-21	CX20441-11

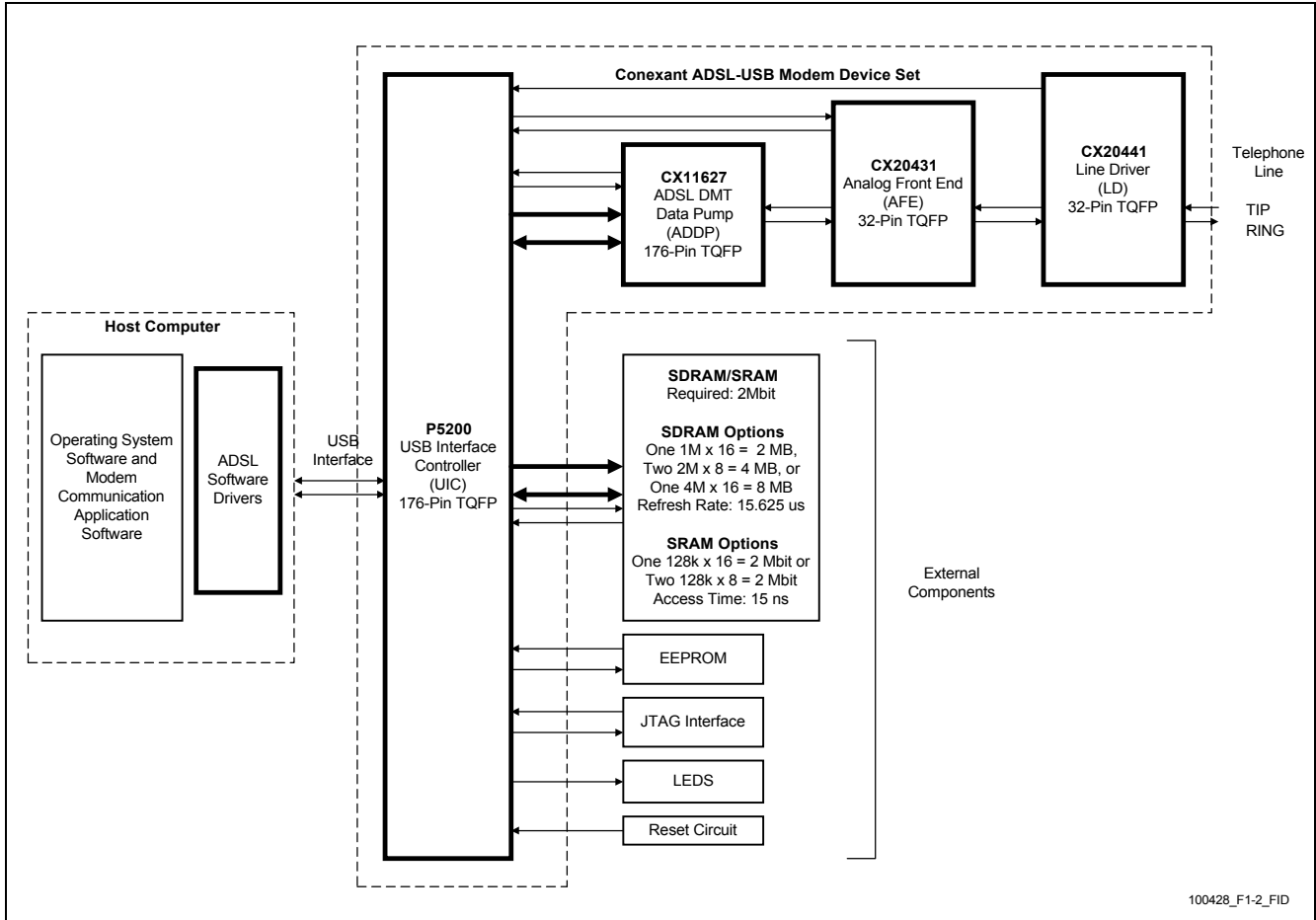


Figure 1-2. AccessRunner ADSL-USB Modem Device Set Major Interfaces

1.3 Features

- Complete ADSL-USB solution
- Compliant with ADSL standards
 - Full-rate ANSI T1.413 Issue 2 and ITU G.dmt (G.992.1) standards
 - Splitterless ITU G.lite (G.992.2) specification
- DMT modulation and demodulation
- Full-rate adaptive modem
 - Maximum downstream rate of 8 Mbps
 - Maximum upstream rate of 1 Mbps
- Supports splitterless ADSL implementation
- WAN mode support: PPP over ATM (RFC 2364)
- LAN mode support: bridged Ethernet over ATM (RFC 1483)
- Tone detection for low power mode
- USB host interface
 - Compliant with USB Specification, Revision 1.1
 - USB full speed (12 Mbps)
 - Suspend/Resume
 - Vendor specific descriptors
 - Bus powered USB device
- ATM SAR performed in software driver

1.3.1 P5200 USB Interface Controller Features

- CX11627 ADSL DMT Data Pump (ADDP) interface
- CX20431 ADSL Analog Front End (AFE) interface
- CX20441 ADSL Line Driver (LD) interface
- Internal USB interface
- SDRAM/SRAM interface
- LED interface
- Serial EEPROM interface
- JTAG interface
- 176-pin TQFP

1.3.2 CX11627 ADSL DMT Data Pump Features

- Low power (0.5W) consumption
- DSP-based programmable ADSL data pump
- No external Interleave RAM, 16 Kbytes built-in
- Echo cancellation
- Digital interface and rate buffering
- ADSL framing
- Forward Error Correction (FEC) encoding and decoding and interleaving
- Constellation encoding/decoding
- IFFT modulation and FFT demodulation
- Transmit and receive signal digital filtering
- Time domain equalization
- Frequency domain equalization
- Clock recovery
- CRC and scrambling
- Digital interface framing
- ATM mode

- Bit-synchronous mode
- 176-pin TQFP

1.3.3 CX20431 ADSL Analog Front End Features

- Receive signal path includes:
 - Integrated hybrid receiver circuit with programmable gain
 - High pass filtering and 27dB of Automatic Gain Control (AGC) to improve signal-to-echo ratio
 - 14-bit ADC
- Transmit signal path includes:
 - 30dB of AGC for transmit power control
 - Low pass filtering to suppress noise in the receive band
 - 14-bit DAC
- Independent digital serial data and control interfaces
- Low power tone detection mode
- 32-pin TQFP

1.3.4 CX20441 ADSL Line Driver Features

- Differential input and output line driver
- Line impedance matching during power-down
- Fixed differential gain
- Low power consumption (0.22 W typical)
- 32-pin TQFP

1.4 Reference Design

A reference design for a USB card is available to minimize application design time and costs.

The card is pretested to pass FCC Part 15 and Part 68 for immediate manufacturing.

A design package is available in electronic form. The design package includes files for schematics, bill of materials (BOM), board layout (Gerber format), and documentation.

The design can also be used for the basis of a custom design by the OEM to accelerate design completion for rapid market entry.

2. System Description

2.1 General Description

The ADSL - USB modem solution hardware connects to the host PC via USB interface. The complete chipset and system software is provided. The OEM adds a crystal circuit, EEPROM, RAM, LEDs, and other discrete components. All software to support a full rate and/or G.lite ADSL modem is provided. Additionally, a control panel providing connection and system status, an installation wizard providing automatic provisioning, a serial EEPROM programming utility, and a manufacturing test program are provided.

2.1.1 Boot ROM and Power Up Procedure

The P5200 USB Interface Controller (UIC) contains a boot loader in internal ROM. Upon power up, the P52 UIC reads the vendor specific USB descriptor information from EEPROM, and then enumerates with the host PC. EEPROM is required so that USB descriptor information can be supplied during the enumeration process.

2.1.2 Serial EEPROM Programming Utility

The OEM-supplied serial EEPROM is required to store the USB device, configuration, interface, and endpoint descriptors. A DOS-based EEPROM Programming Utility is available for the OEM to use to program the serial EEPROM with USB device, configuration, interface, and endpoint descriptors. The USB device descriptors (including Vendor ID, Product ID, Device Release Number, Manufacturer Name, Product Name, and Serial Number) can be customized as required.

2.2 ADSL Operation

2.2.1 ADSL Operating Modes

Full Rate ADSL Modes

Both T1.413 and G.992.1 (G.dmt) line coding schemes are supported for downstream rates up to 8 Mbps and upstream rates up to 1 Mbps in 32 kbps increments. User selection of mode is supported through the provided control panel, however, auto-provisioning is supported so that the appropriate modulation is automatically selected based on what is supported by the DSL Access Multiplexer (DSLAM) at the Central Office. When operating in one of the full rate modes, the low and high frequency bands must be separated with a filter. This can be done with either a service provider-installed splitter (known as “splittered ADSL”), or with the use of distributed micro-filters in line with each POTS device on the circuit (known as “splitterless full-rate ADSL”). Both deployment models are supported.

G.lite Splitterless Mode

G.992.2 (G.lite) splitterless mode is supported for downstream rates up to 1.5 Mbps and upstream rates up to 512 kbps in 32 kbps increments. User selection of mode is supported through the provided control panel, however, auto-provisioning is supported so that the appropriate modulation is automatically selected based on what is supported by the DSLAM at the Central Office. When operating in splitterless mode, the low and high frequency bands do not need to be separated with a filter, and neither a service provider installed splitter, nor distributed micro-filters are required.

G.lite mode supports power management by defining a set of power management states for the link and the use of the Embedded Operations Channel (eoc) to coordinate between the ATU-R and ATU-C.

LAN Mode

RFC-1483, bridged Ethernet over ATM, is supported in the LAN driver. This protocol provides LLC encapsulation for carrying network interconnect traffic over a single ATM AAL5 Virtual Connection. LLC encapsulation is desirable when it is not practical to have a separate VC for each carried protocol, such as with an ATM network that only supports Permanent Virtual Circuits (PVCs). The provided NDIS 5 drivers automatically establish a “connection-less” call using the defined PVC, and encapsulate Ethernet bridged frames.

WAN Mode

RFC-2364, PPP over ATM, is supported in the WAN driver. Point-to-Point Protocol provides a method of transporting multi-protocol packets over point-to-point links. Point-to-point links allow for services such as Link Control Protocol, Network-layer Control Protocol, and authentication. The PPP over ATM standard brings these point-to-point services to the ATM network where they are not inherently supported. The provided NDIS 5 drivers accept an empty dial string on a specific “link” or PVC from Windows Dial-up Networking to establish a call, and encapsulate PPP frames.

User selection of WAN or LAN mode can be done manually via the provided control panel. However, auto-configuration is supported with the provided installation wizard, so that the protocol mode is selected properly without user intervention.

2.2.2 Host Software

The host software NDIS miniport driver provided implements the ATM Adaptation Layer 5 (AAL5), which is composed of two sublayers: 1) the Segmentation and Reassembly (SAR) layer, and 2) the Convergence Sublayer (CS). The AAL5 protocol provides virtual connections, which offer error detection, but not error correction, between end stations attached to the same network.

The SAR sublayer transmitter segments the higher layer information into a size suitable for the payload of the ATM cells of a virtual connection. The receiver reassembles the contents of the cells of a virtual connection into data units to be delivered to higher layers. During periods of no data transmission, the device set, and not the host software driver, performs idle cell insertion and deletion, thus unloading this task from the host PC and unburdening the USB with unnecessary traffic.

The Convergence Sublayer performs message identification and clock recovery. Additionally, the CS of the AAL converts the user service information coming from the upper layer into a protocol data unit (PDU), and also carry out the opposite process at the receiver.

Unspecified Bit Rate (UBR) service is supported. It allows a connection to be established without specifying the bandwidth expected from the connection. The network makes no guarantees for UBR service: it establishes the route but does not commit bandwidth. UBR can be used for applications that have no delivery constraints and do their own error and flow control. Examples of potential uses or UBR are e-mail and file transfer, as neither application has real-time characteristics.

2.2.3 Control Panel

A Windows Control Panel Applet is provided to monitor and control ADSL line and call activity, accumulate ADSL line and call statistics, and identify the software and connection information. The control panel provides different levels of information: 1) User, 2) Advanced User, 3) Developer. It is intended that only the User level information, which consists of basic connection statistics such as line rate and connect status, is available to the end user. Other information available to the Advanced User and Developer include Physical Layer Statistics, ATM Link Statistics, AAL Link Statistics, Protocol setup, and a logging capability, which collects performance data and logs it to disk.

2.2.4 Installation Wizard

A Windows Installation Wizard is provided to ease the user's provisioning of the ADSL service. The Wizard allows the user to select a service provider allowing the associated setup profile to automatically ensure proper setup and installation of the software drivers. The profiles, based on input from various ADSL service providers, are provided to facilitate deployment and to minimize user involvement in provisioning ADSL service. A profile contains configuration information for physical layer options, ATM layer parameters, AAL layer parameters, and TCP/IP layer parameters.

2.3 Device Description

2.3.1 P5200 UIC Description

The P5200 USB Interface Controller (UIC) is the bridge device between the CX11627 ADSL DMT Data Pump (ADDP) and the host computer. It provides the control, interface, and data manipulation for the CX11627 ADDP, the CX20431 Analog Front End (AFE), the CX20441 Line Driver (LD), and hybrid circuitry.

The P5200 has output ports for LED indicators and an interface to serial EEPROM for storing vendor specific descriptors. The UIC conforms to the USB Specification Rev. 1.1 and supports full-speed (12 Mbps) USB device implementation.

The P5200 operates from +1.8V for core operation and +3.3V for interface circuit operation. The P5200 can operate with +3.3V interface signals (VGG = +3.3V) or +5V interface signals (VGG = +5V).

ARM Processor

The ARM Processor provides the controller and supervisory tasks of the ADSL-USB system. It moves data between the USB port and the ADSL interface. Control code for the ARM is executed from external memory under control of the External Memory Controller (EMC).

External Memory Controller

The External Memory Controller (EMC) provides a 16-bit interface to support up to 8 Mbytes of external memory. SDRAM or SRAM is supported to maintain lowest cost of external memory. There can be 1 (16 bits wide) or 2 (8 bits wide) memories that can reside on the EMC bus. This bus is not shared with any other functions so activity on this bus can be concurrent with asynchronous and independent USB port or ADSL data transfers.

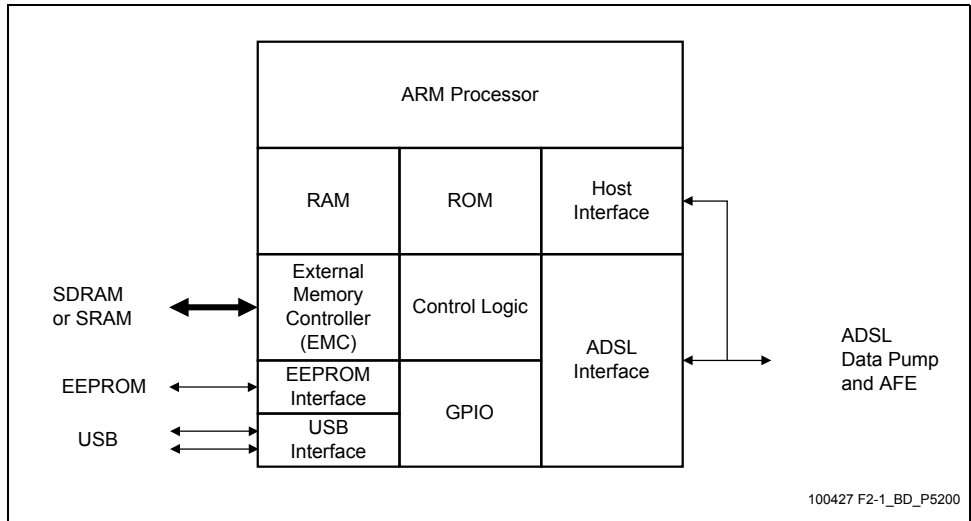


Figure 2-1. P5200 UIC Block Diagram

Host Interface

The Host Interface is a 16-bit data and 21-bit address bus used for control of the ADSL Data Pump.

ADSL Interface

The ADSL Interface is responsible for data transfer to and from the ADSL Data Pump and the setup of the AFE.

USB Interface

The USB Interface is responsible for data transfer to and from the USB, by extracting clock and data from the USB cable. It also handles the front end functions of the USB protocol such as Sync Field Identification, NRZI-NRZ Conversion, Bit Stripping and Stuffing, and CRC functions. Additionally, the USB port converts the serial packet to 8-bit parallel data. Control transfers addressed to End Point Zero are handled by the USB port.

LED Interface

GPIO are used to support the following LED signals: Power, Ready, Showtime, TXD, and RXD.

EEPROM Interface

A 2-wire serial EEPROM is used to store USB device, configuration, interface, and endpoint descriptors. Device descriptors include Vendor ID, Product ID, Device Release Number, Manufacturer Name, Product Name, and Serial Number. Both 4196 bit and 2048 bit EEPROMs are supported. The EEPROM speed must be capable of 400 kHz clock frequency.

A typical 4196 bit (512 x 8) EEPROM that meets P5200 UIC requirements is the Fairchild M24C04M8 or equivalent.

A typical 2048 bit (256 x 8) EEPROM that meets P5200 UIC requirements is the Fairchild M24C02M8 or equivalent.

General Purpose Input/Output Interface

Most General Purpose Input/Output (GPIO) pins are programmed for dedicated system functions or reserved for test or growth functions and are not available for user assignment. Each GPIO pin is controlled individually for input/output direction. All GPIO pins can serve as external interrupt inputs.

2.3.2 CX11627 ADDP Description

The CX11627 ADSL DMT Data Pump (ADDP) is a T1.413 Issue 2, G.992.1, and G.992.2 compliant custom digital signal processing (DSP) chip built specifically for DMT ADSL transmission for use in ADSL modems. The CX11627 operates from +2.5V for core operation and +3.3V for interface circuit operation. A block diagram of the CX11627 ADDP is shown in Figure 2-2.

ATM Transmission Convergence

In the transmit direction, the ATM Transmission Convergence (TC) block embeds ATM cells into the serial data stream being fed into the digital interface, i.e., the P5200 UIC. In the receive direction, this block extracts the ATM cell boundaries from the serial data stream coming from the digital interface. To reduce traffic on the USB, the TC block performs idle cell insertion in the transmit direction and idle cell deletion and header error correction in the receive direction.

Digital Interface

The Digital Interface (DI) Transmit Block performs the following functions: transmit data multiplexing and buffering, fast and interleave data stream framing, transmit data synchronization control, eoc/aoc insertion, CRC encoding, scrambling, FEC encoding, and data interleaving.

The DI Receive Block performs the following functions: data de-interleaving, FEC decoding, descrambling, CRC check, receive data synchronization and receive clock generation, demultiplexing and buffering of receive data and receive eoc/aoc.

QAM Encoder/Decoder

The QAM Encoder/Decoder performs the following functions: constellation encoding, clock recovery, receive gain compensation, frequency domain equalization (FEQ), slicing, and constellation decoding. The block also performs other functions such as frequency domain signal processing, signal power, error power averaging and computations related to frequency domain training.

FFT

The FFT performs IFFT for modulation of the transmit symbol, and FFT for demodulation of the receive symbol.

Analog Front End Interface

The Analog Front End (AFE) interface performs the following functions: transmit signal filtering, time domain equalization, and time domain signal power averaging, and echo cancellation (EC).

Microcontroller Interface

The microcontroller interface enables the P5200 UIC to set parameters to control DSP sequencing and to read/write coefficients or data.

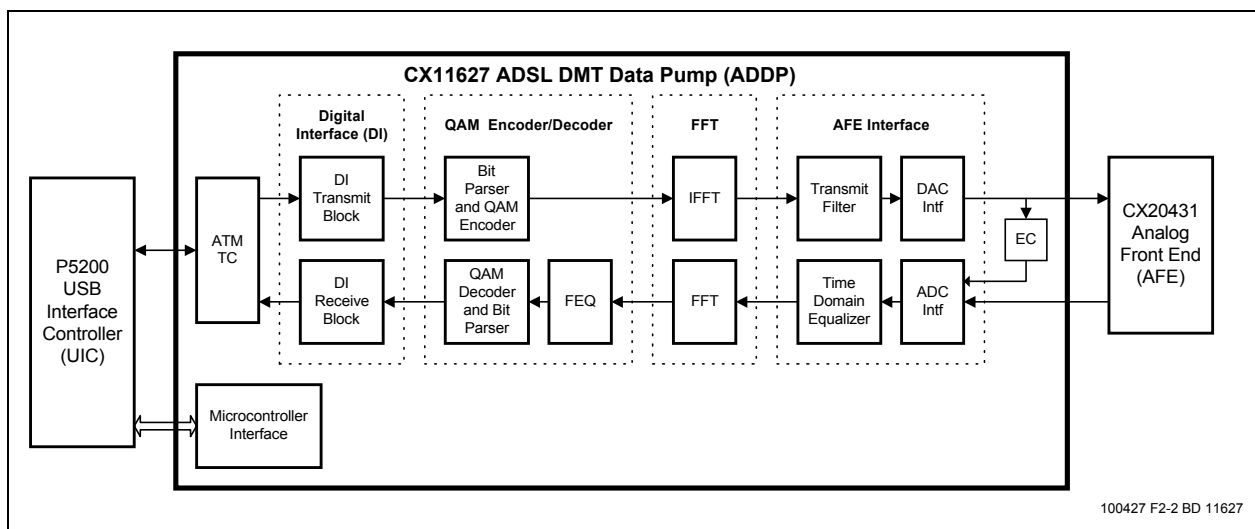


Figure 2-2. CX11627 ADDP Block Diagram

2.3.3 CX20431 AFE Description

The CX20431 Analog Front End (AFE) can support full-rate and G.lite (G.992.2) ADSL modems. The CX20431 AFE interfaces with the CX20441 LD and the hybrid receive circuitry on the analog side, and with the CX11627 ADDP on the digital side.

The receive section filters out the unwanted echo and boosts the wanted signal before performing an analog-to-digital (A/D) conversion.

The transmit section converts digital data to analog signals and performs a smoothing operation before presenting the signals to the line driver.

Wakeup in G.lite mode is supported by tone detection circuitry integrated in the CX20431 AFE.

The CX20431 operates from a +3.3V supply.

A block diagram of the CX20431 AFE is shown in Figure 2-3.

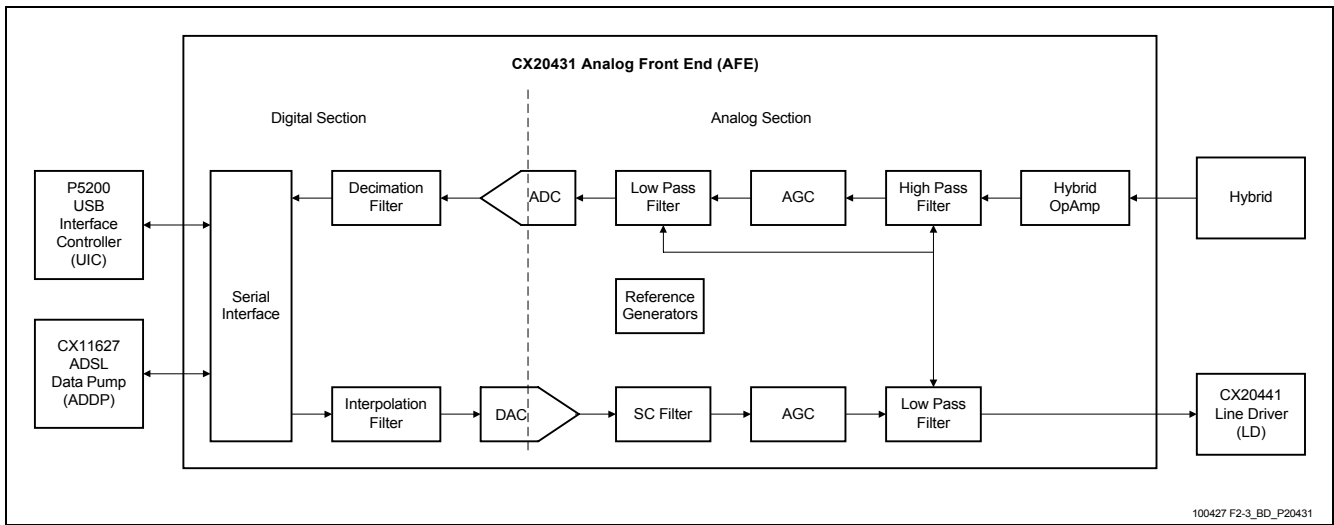


Figure 2-3. CX20431 AFE Block Diagram

2.3.4 CX20441 LD Description

The CX20441 Line Driver (LD) supports full-rate (T1.413 and G.992.1) and G.lite (G.992.2) ADSL modems. It is optimized for ideal ADSL performance providing low noise, high bandwidth, and superior linearity. The CX20441 LD transmits a DMT modulated signal in the 25 – 132 kHz band.

The CX20441 LD operates from a +5V supply. Internal load balancing prevents the CX20441 LD from loading the system when in a power down state. A block diagram of the CX20441 LD is shown in Figure 2-4.

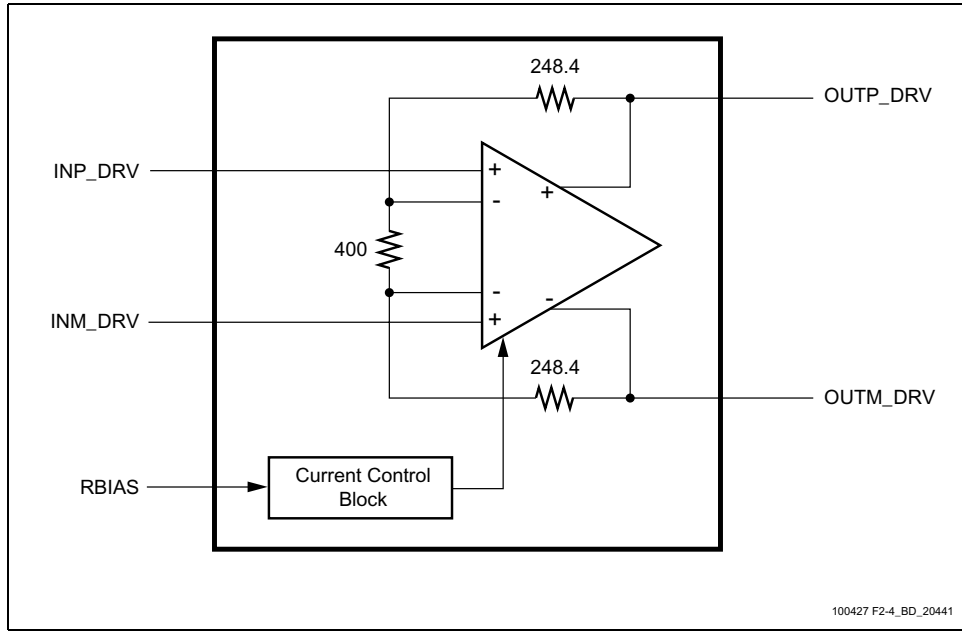


Figure 2-4. CX20441 LD Block Diagram

3. Hardware Interface

3.1 P5200 UIC Hardware Interface Signals

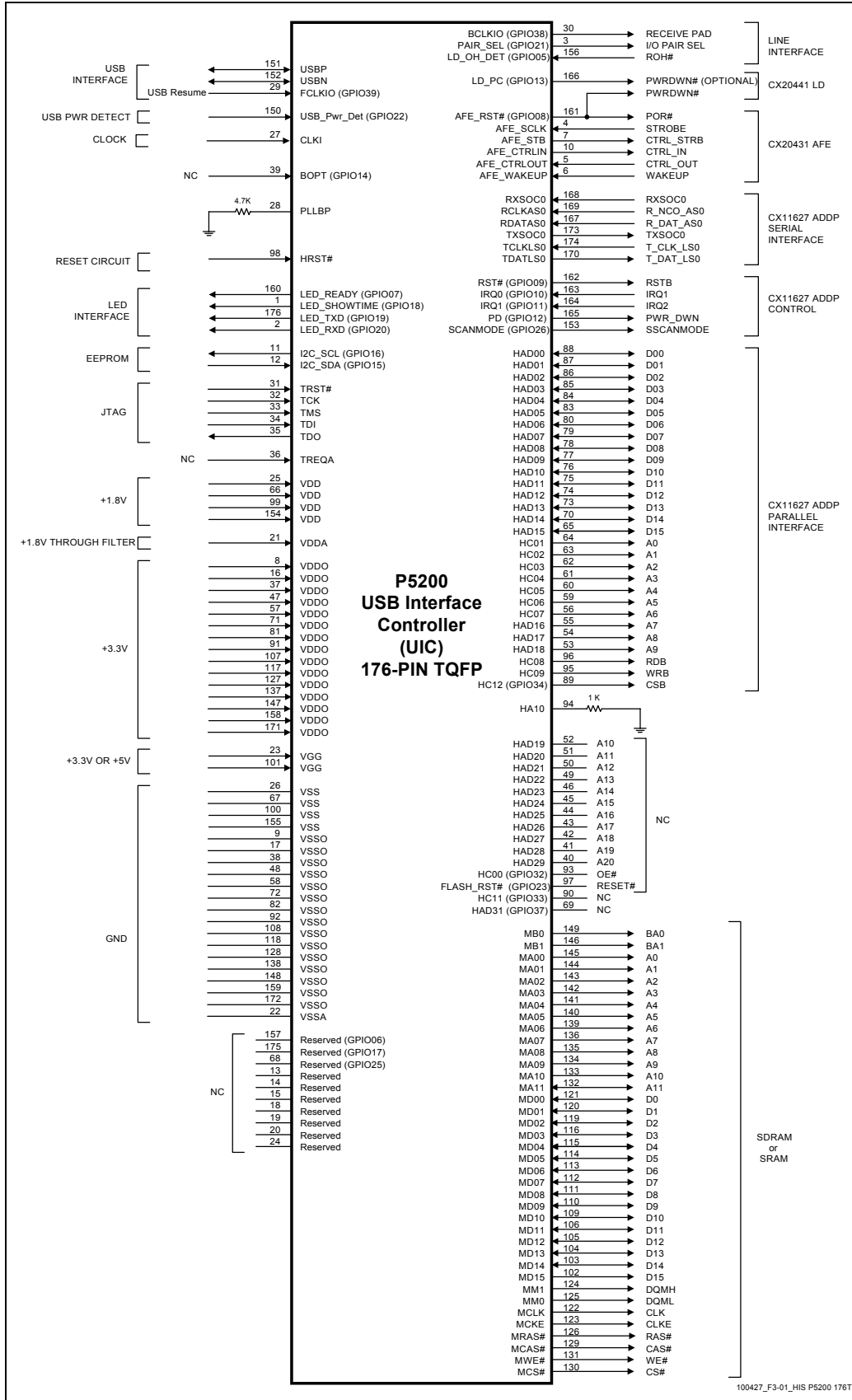
3.1.1 P5200 UIC Signal Interface, Pin Assignments, and Signal Definitions

P5200 UIC hardware interface signals are shown in Figure 3-1.

P5200 UIC pin assignments are shown in Figure 3-2.

P5200 UIC hardware interface signals are defined in Table 3-1. Input/output types are described in Table 3-2.

AccessRunner ADSL-USB Modem Device Set Data Sheet



100427_F3-01_HIS P5200 176T

Figure 3-1. P5200 UIC Hardware Interface Signals

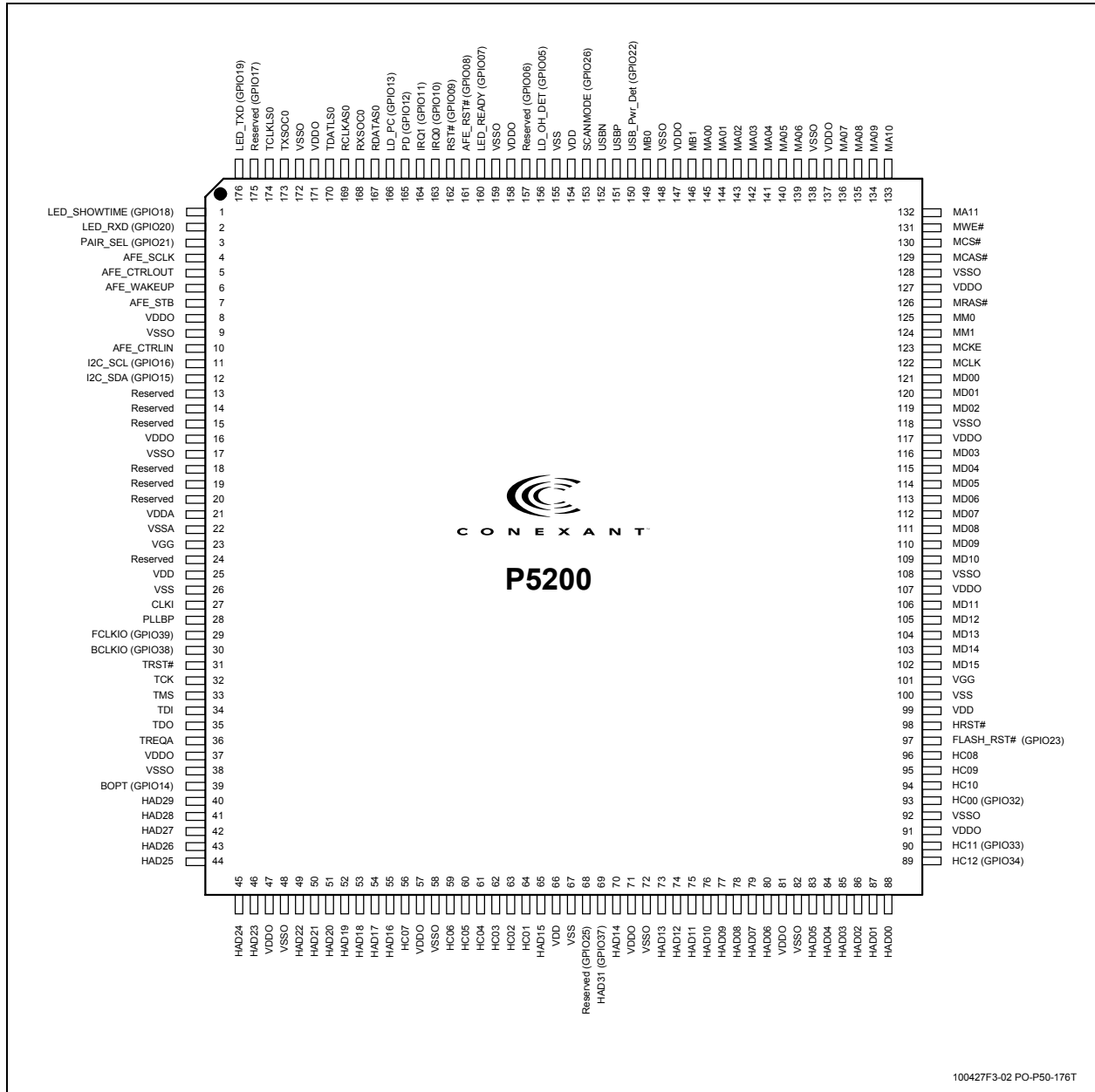


Figure 3-2. P5200 UIC Pin Signals-176-Pin TQFP

Table 3-1. P5200 UIC Hardware Signal Definitions

Label	Pin	I/O	I/O Type	Signal Name/Description
USB INTERFACE				
USBP, USBN	151, 152	I/O	Iu/Ou	USB Port. USBP and USBN are the differential data positive and negative signals of the USB port. Connect USBP and USBN to USB +Data and -Data, respectively, through 10 Ω , and optionally through a quick switch in order to isolate the USBP and USBN from the USB during suspend mode.
FCLKIO (GPIO39)	29	I	It	USB Resume. Active high input used to detect occurrence of USB resume event.
USB POWER DETECT INTERFACE				
USB5V_DET (GPIO22)	150	I	It	USB 5 V Detect. Active high input used to detect presence of +5 V at the USB connector.
CLOCK INTERFACE				
CLKI	27	I	Ith	Clock In. Connect to 35.328 MHz voltage controlled crystal oscillator (VCXO) output through 51 Ω .
CONTROL INTERFACE				
HRST#	98	I	Ith	Reset. Active low input signal to reset the P5200 UIC. Connect to reset circuit.
BOPT (GPIO14)	39	I	It	Boot Option. To boot from internal ROM, leave open. To boot from external ROM, pull down with 4.7k Ω resistor. Leave open.
PLLBP	28	I	It	PLL Ground. Connect to GND through 4.7 k Ω .
CX20431 AFE CONTROL AND SERIAL INTERFACE				
AFE_SCLK	4	I	It	AFE Clock In. Connect to AFE STROBE through 33 Ω .
AFE_STB	7	O	Otts4	AFE Strobe Out. Connect to AFE CTRL_STRB.
AFE_CTRLIN	10	O	Otts4	AFE Control In. Serial digital data sent to the AFE. Connect to AFE CTRL_IN.
AFE_CTRLOUT	5	I	It	AFE Control Out. Serial digital data received from the AFE. Connect to AFE CTRL_OUT.
AFE_WAKEUP	6	I	Ith	AFE Wakeup. DSL Power Management Wakeup Signal from AFE. Connect to AFE WAKEUP.
CX11627 ADDP PARALLEL INTERFACE				
HAD[18:16]	53-55	O	Ot4	Address Lines 9-7. Connect to ADDP A[9:7], respectively.
HC[07:01]	56, 59-64	O	Ot4	Address Lines 6-0. Connect to ADDP A[6:0], respectively.
HAD[15:0]	65, 70, 73-80, 83-88	I/O	It/Ot4	Data Lines 15-00. Connect to ADDP D[15:0], respectively.
HC08	96	O	Ot4	Read Enable. Active low read enable. When asserted, data is transferred from the selected device onto the data bus. Connect to ADDP RDB.
HC09	95	O	Ot4	Write Enable. Active low write enable. When asserted, data is transferred from the data bus into the selected device. Connect to ADDP WRB.
HC12 (GPIO34)	89	O	O	ADDP Chip Select. Active low output select ADDP when asserted. Connect to ADDP CSB.
IRQ0# (GPIO10)	163	I	Itpu	ADDP Interrupt Request 1. Active low input asserted to request interrupt servicing by the ADDP. Connect to ADDP IRQ1.
IRQ1# (GPIO11)	164	I	Itpu	ADDP Interrupt Request 2. Active low input asserted to request interrupt servicing by the ADDP. Connect to ADDP IRQ2.
PD (GPIO12)	165	O	Ot4	ADDP Power Down. Active low output asserted put ADDP in a low power mode. Connect to ADDP PWR_DWN.
RST# (GPIO09)	162	O	Ot4	ADDP Reset. Active low output resets ADDP when asserted. Connect to ADDP RSTB.
SCANMODE (GPIO26)	153	O	Ot4	Scan Mode. Connect to ADDP SSCANMODE.

Table 3-1. P5200 UIC Hardware Signal Definitions (Continued)

Label	Pin	I/O	I/O Type	Signal Name/Description
CX11627 ADDP SERIAL CHANNEL INTERFACE				
RXSOC0	168	I	Itpu	Receive ATM0 Start of Cell. Connect to ADDP RXSOC0.
RCLKAS0	169	I	Itpu	Receive AS0/ATM0 Data Clock. Connect to ADDP R_CLK_LS0.
RDATAS0	167	I	Itpu	Receive AS0/ATM0 Serial Data. Connect to ADDP R_DAT_LS0.
TXSOC0	173	O	Otts4	Transmit ATM0 Start of Cell. Connect to ADDP TXSOC0.
TCLKLS0	174	I	It	Transmit LS0/ATM0 Data Clock. Connect to ADDP T_CLK_LS0.
TDATLS0	170	O	Otts4	Transmit LS0/ATM0 Serial Data. Connect to ADDP T_DAT_LS0.
CX20431 AFE AND CX20441 LD CONTROL				
AFE_RST# (GPIO08)	161	O	Ot4	AFE Reset. Active low reset output to the AFE and the LD. Connect to AFE POR# and to LD PWRDWN#.
LD_PC (GPIO13)	166	O	Ot4	Line Driver Power Control. Optionally, connect to LD PWRDWN# when it is desired to power down only the LD.
LINE INTERFACE				
LD_OH_DET (GPIO05)	156	I	It	Off-Hook Detect. Active low; indicates POTS off-hook event. Used for G.lite Mode only. Connect to off-hook detector circuit.
PAIR_SEL (GPIO21)	3	O	Itpu/Ot4	Inner/Outer Pair Select. Connect to wire-pair selection circuit.
BCLKIO (GPIO38)	30	O	Itpu/Ot4	Receive Pad. Connect to receive pad circuitry in hybrid.
SERIAL EEPROM INTERFACE				
I2C_SCL (GPIO16)	11	O	Ot4	Serial EEROM Clock. Connect to EEPROM clock input.
I2C_SDA (GPIO15)	12	I	Itpu	Serial EEROM Data. Connect to EEPROM data line.
JTAG INTERFACE				
TRST#	31	I	Itpu	JTAG Reset. A high-to-low transition on this signal forces the TAP controller into a logic reset state. This pin has an internal pullup, and it conforms to IEEE 1149.1 JTAG specification.
TCK	32	I	It	JTAG Test Clock. This is the boundary scan clock input signal. This pin has an internal pullup, and it conforms to IEEE 1149.1 JTAG specification.
TMS	33	I	Itpu	JTAG Test Mode Select. This signal controls the operation of the TAP controller. This pin has an internal pull-up, and it conforms to IEEE 1149.1 JTAG specification.
TDI	34	I	Itpu	JTAG Test Input. This signal contains serial data that is shifted in on the rising edge of TCK. The pin has an internal pullup, and it conforms to IEEE 1149.1 JTAG specification.
TDO	35	O	Otts4	JTAG Test Output Data. This is the three-stateable boundary scan data output signal from the MCU, and it is shifted out on the falling edge of TCK. It conforms to IEEE 1149.1 JTAG specification.

Table 3-1. P5200 UIC Hardware Signal Definitions (Continued)

Label	Pin	I/O	I/O Type	Signal Name/Description
SDRAM/SRAM INTERFACE				
MA[11:00]	132-136, 139-145	O	Ot4	Multiplexed Row and Column Address Lines. Connect to SDRAM/SRAM A[11:0], respectively.
MD[15:00]	102-106, 109-116, 119-121	I/O	It/Ot4	Data Lines. Connect to SDRAM/SRAM D[15:0], respectively.
MB0	149	O	Ot4	Bank Address Select 0. Connect to SDRAM/SRAM Bank Address Select 0 input for 8 MB SDRAM; leave open for 2 MB SDRAM.
MB1	146	O	Ot4	Bank Address Select 1. Connect to SDRAM/SRAM Bank Address Select 1 input.
MM1	124	O	Ot4	Input/Output Mask 1. Connect to SDRAM/SRAM I/O Mask High input.
MM0	125	O	Ot4	Input/Output Mask 0. Connect to SDRAM/SRAM I/O Mask Low input.
MCLK	122	O	Ot4	SDRAM Clock. Connect to SDRAM Clock input.
MCKE	123	O	Ot4	SDRAM Clock Enable. Active high; enables SDRAM clock. Connect to SDRAM Clock Enable input.
MRAS#	126	O	Ot4	SDRAM Row Address Strobe. Active low; starts SDRAM access with strobe of row address. Connect to SDRAM RAS input.
MCAS#	129	O	Ot4	SDRAM Column Address Strobe. Active low; strobes column address and data bytes. Connect to SDRAM CAS input.
MWE#	131	O	Ot4	SDRAM Memory Write Enable. Active low; indicates write access to SDRAM. Connect to SDRAM Write Enable input.
MCS#	130	O	Ot4	SDRAM Memory Chip Select. Active low; enables SDRAM command decoder. Connect to SDRAM chip select input.
LED INTERFACE				
LED_RXD (GPIO20)	2	O	Ot4	Receive Data LED. Illuminated when data is received from the ADSL line.
LED_TXD (GPIO19)	176	O	Ot4	Transmit Data LED. Illuminated when data is transmitted to the ADSL line.
LED_SHOWTIME (GPIO18)	1	O	Ot4	Showtime LED. Illuminated when the ADSL transceiver is in Showtime Mode.
LED_READY (GPIO070)	160	O	Ot4	Ready LED. Illuminated when the device is successfully enumerated on the USB.
POWER AND GROUND				
VDD	25, 66, 99, 154	PWR	PWR	Core Supply Voltage. Connect to +1.8V.
VDDA	21	PWR	PWR	Supply Voltage. Connect to +1.8V through filter.
VDDO	8, 16, 37, 47, 57, 71, 81, 91, 107, 117, 127, 137, 147, 158, 171	PWR	PWR	I/O Supply Voltage. Connect to +3.3V.
VGG	23, 101	REF	REF	I/O Clamp Power Supply. Connect to +5V if available, otherwise connect to +3.3V.
VSS	26, 67, 100, 155	GND	GND	Core Ground. Connect to digital ground.
VSSO	9, 17, 38, 48, 58, 72, 82, 92, 108, 118, 128, 138, 148, 159, 172	GND	GND	I/O Ground. Connect to digital ground.
VSSA	22	GND	GND	Ground. Connect to digital ground.

Table 3-1. P5200 UIC Hardware Signal Definitions (Continued)

Label	Pin	I/O	I/O Type	Signal Name/Description
NOT USED				
HC10	94	I	It	Not Used. Connect to GND through 1 K Ω .
HAD[29:19]	40-46, 49-52	O	Ot4	Address Lines 20-10. If Flash ROM is installed, connect to Flash ROM A[20:10], respectively. If Flash ROM is not installed, leave open.
HC00 (GPIO32)	93	O	Ot4	Flash ROM Chip Enable. Active low output enables optional Flash ROM when asserted. If Flash ROM is installed, connect to Flash ROM CE#. If Flash ROM is not installed, leave open.
FLASH_RST# (GPIO23)	97	O	Ot4	Flash ROM Reset. Active low output resets optional Flash ROM when asserted. If Flash ROM is installed, connect to Flash ROM RESET#. If Flash ROM is not installed, leave open.
HC11 (GPIO33)	90	I/O	It/Ot4	Not Used. Leave open.
HAD31 (GPIO37)	69	I/O	It/Ot4	Not Used. Leave open.
TREQA	36	I	ltpd	Reserved. This pin is connected to internal circuitry. Leave open.
Reserved (GPIO06)	157	I/O	ltpu/Ot4	Reserved. This pin is connected to internal circuitry. Leave open.
Reserved (GPIO17)	175	I/O	ltpu/Ot4	Reserved. This pin is connected to internal circuitry. Leave open.
Reserved (GPIO25)	68	I/O	ltpu/Ot4	Reserved. This pin is connected to internal circuitry. Leave open.
Reserved	13-15, 18-20, 24			Reserved. These pins are connected to internal circuitry. Leave open.
NOTES:				
I/O Types: See Table 3-2.				

Table 3-2. P5200 UIC Input/Output Type Descriptions

I/O Type	Description
It	Digital input, +5V tolerant, C _{IN} = 8 pF
It/Ot4	Digital input, +5V tolerant, C _{IN} = 8 pF/Digital output, 4 mA, Z _{INT} = 80 Ω
lth	Digital input, +5V tolerant, with hysteresis, C _{IN} = 8 pF
ltpd	Digital input, +5V tolerant, 75k Ω pull-down, C _{IN} = 8 pF
ltpu	Digital input, +5V tolerant, 75k Ω pull-up, C _{IN} = 8 pF
ltpu/Ot4	Digital input, +5V tolerant, 75k Ω pull-up, C _{IN} = 8 pF/Digital output, 4 mA, Z _{INT} = 80 Ω
Ots4	Digital output, 3-State, 4 mA, Z _{INT} = 80 Ω
lu/Ou	Input, USB receiver/Output, USB driver
NOTES:	
1. See DC characteristics in Table 3-3.	
2. I/O Type corresponds to the device Pad Type. The I/O column in tables refers to signal I/O direction used in the application.	

P5200 UIC Electrical and Environmental Specifications

P5200 UIC DC electrical characteristics are listed Table 3-3.

P5200 UIC operating conditions are specified in Table 3-4.

P5200 UIC absolute maximum ratings are stated in Table 3-5.

P5200 UIC power consumption is listed in Table 3-6.

Table 3-3. P5200 UIC DC Electrical Characteristics

Parameter	Symbol	Min.	Typ.	Max.	Units	Test Conditions (see Note 1)
Input high voltage	VIH	2.0		VGG + 0.5	VDC	
Input low voltage	VIL	-0.5		0.8	VDC	
Input leakage current	IIL/IIH	-10		10	μA	VIN = 0 for Min. VIN = VIN (MAX) for Max.
Input leakage current (with internal pull-downs) (See Note 2)	IIL/IIH	-10		100	μA	VIN = 0 for Min. VIN = VIN (MAX) for Max.
Input leakage current (with internal pull-ups) (See Note 2)	IIL/IIH	-100		10	μA	VIN = 0 for Min. VIN = VIN (MAX) for Max.
Internal pullup/pulldown resistance	Rpu/Rpd	50		200	kΩ	
Output high voltage	VOH	2.4		VDDO	VDC	IOH = 4 mA
Output low voltage	VOL			0.4	VDC	IOL = 4 mA
Input/output capacitance	CINOUT		3		pF	

NOTES:

- Test Conditions (unless otherwise stated):
 VDDcore = +1.8 ± 0.15 VDC
 VDDO = +3.3 ± 0.3 VDC;
 VIN (MAX) = +3.6V for VGG connected to +3.3V;
 VIN (MAX) = +5.25V for VGG connected to +5V.
- Current flow out of the device is shown as minus.
- Stresses above those listed may cause permanent device failure. Functionality at or above these limits is not implied. Exposure to absolute maximum ratings for extended periods of time may affect device reliability.

Table 3-4. P5200 UIC Operating Conditions

Parameter	Symbol	Min	Typ	Max	Units
Core power supply	VDD	1.65	1.8	1.95	VDC
I/O power supply	VDDO	3.0	3.3	3.6	VDC
Operating ambient temperature	TA	0		70	°C

Table 3-5. P5200 UIC Absolute Maximum Ratings

Parameter	Symbol	Min	Max	Units
Core power supply	VDD	-0.35	2.0	VDC
I/O power supply (VDDO = +3.3 V)	VDDO	-0.35	3.7	VDC
I/O power supply (VDDO = +5 V)	VDDO	-0.35	7.0	VDC
Input voltage	VIN	-0.35	VGG + 0.35*	VDC
Voltage applied to outputs in high impedance (Off) state	VHZ	-0.35	VGG + 0.35*	VDC
Storage temperature	TS	-55	125	°C

* VGG = +3.3 V ± 0.3 V or +5 V ± 0.25 V.

Caution: Handling CMOS Devices

These devices contain circuitry to protect the inputs against damage due to high static voltages. However, it is advised that normal precautions be taken to avoid application of any voltage higher than maximum rated voltage.

An unterminated input can acquire unpredictable voltages through coupling with stray capacitance and internal cross talk. Both power dissipation and device noise immunity degrades. Therefore, all inputs should be connected to an appropriate supply voltage.

Input signals should never exceed the voltage range from 0.5V or more negative than GND to 0.5V or more positive than VDD. This prevents forward biasing the input protection diodes and possibly entering a latch up mode due to high current transients.

Table 3-6. P5200 UIC Power Consumption

Mode	Typ. Current (mA)	Max. Current (mA)	Typ. Power (mW)	Max. Power (mW)
VDD (+1.8 V)	85	105	155	205
VDDO (+3.3 V)	15	25	45	90

NOTES:

- Operating voltage: VDD = +1.8 VDC ± 0.15 VDC
VDDO = +3.3 VDC ± 0.3 VDC.
- Test conditions: VDD = +1.8 VDC for typical values; VDD = +1.95 VDC for maximum values.
VDDO = +3.3 VDC for typical values; VDDO = +3.6 VDC for maximum values.

3.2 CX11627 ADDP Hardware Interface Signals

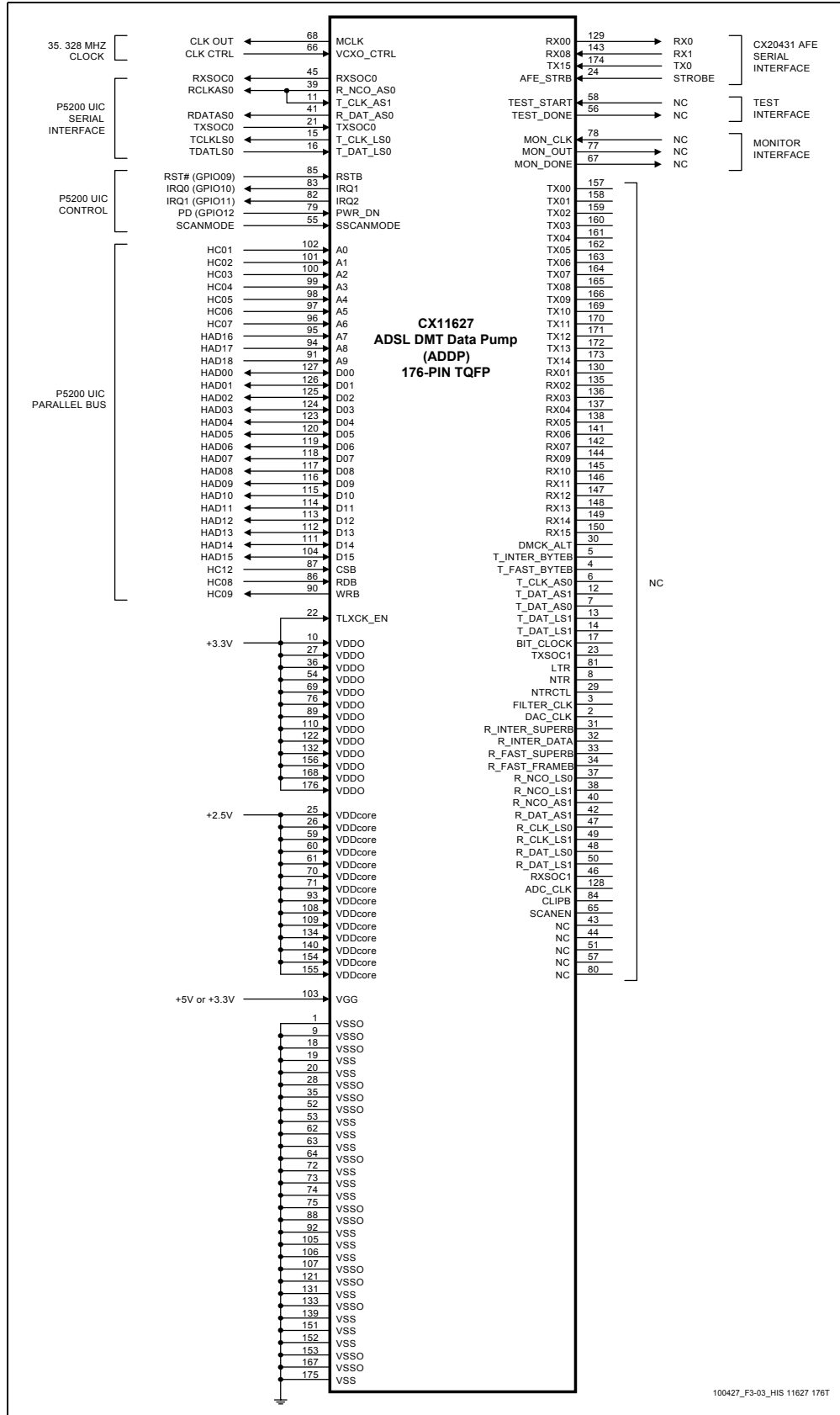
3.2.1 CX11627 ADDP Hardware Signals, Pin Assignments, and Signal Definitions

CX11627 ADDP hardware interface signals are shown in Figure 3-3.

CX11627 ADDP pin assignments are shown in Figure 3-4.

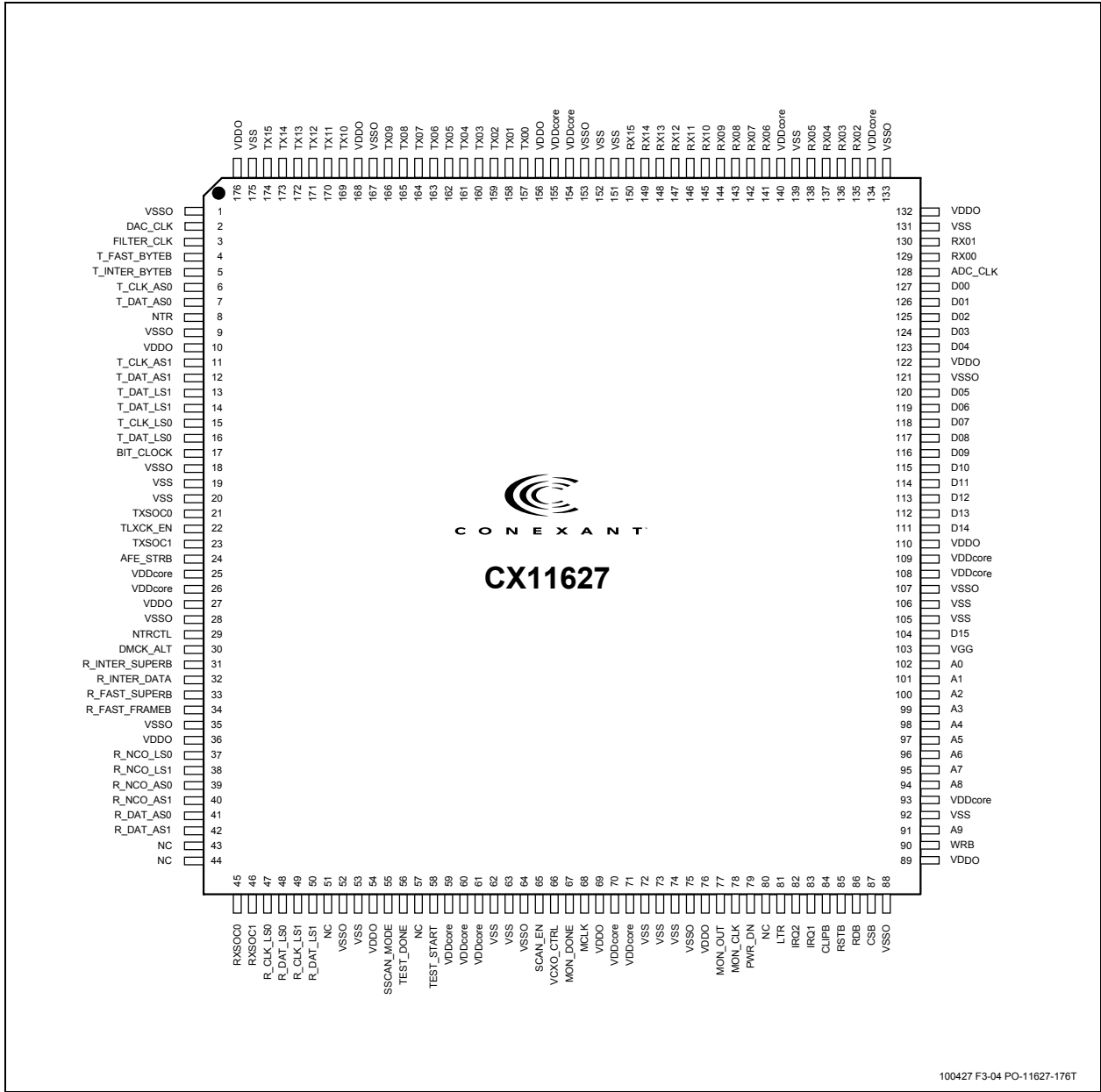
CX11627 ADDP hardware interface signals are defined in Table 3-7. Input/output types are described in Table 3-9.

AccessRunner ADSL-USB Modem Device Set Data Sheet



100427_F3-03_HIS 11627 176T

Figure 3-3. CX11627 ADDP Hardware Interface Signals



100427 F3-04 PO-11627-176T

Figure 3-4. CX11627 ADDP Pin Signals - 176-Pin TQFP

Table 3-7. CX11627 ADDP Hardware Signal Definitions

Signal Name	Pin	I/O	I/O Type	Signal Name/Description
CLOCK INTERFACE				
MCLK	68	I	I	Master Clock In. Connect to 35.328 MHz voltage controlled crystal oscillator (VCXO) output through 51 Ω.
VXCO_CTRL	66	O	O	VCXO Control Out. Oversampled VCXO analog control voltage output. Connect to VCXO control circuit.
CX20431 AFE INTERFACE				
RX[15:0]	150-144, 142-141, 138-135, 130-129	I	I	Receive Data Lines. In the serial mode of operation, RX8 and RX0 transfer data from the AFE into the ADDP. The negative edge of the AFE_STR# strobe signal from the AFE clocks the data into the ADDP. In the parallel mode of operation, RX[15:0] input data lines transfer receive data into the ADDP. Data is clocked into the ADDP by ADC_CLK. This mode is not used; leave RX[15:9] and RX[7:1] open.
TX[15:0]	174-169, 166-157	O	O	Transmit Data Lines. In the serial mode of operation, TX15 (used as a programmable width serial bus) transfers data to the AFE from the ADDP. The negative edge of the AFE_STR# strobe signal from the AFE clocks the data from the ADDP. In the parallel mode of operation, TX[15:0] output data lines transfer data out of the ADDP. Data is clocked out of the ADDP by DAC_CLK. This mode is not used; leave TX[14:0] open.
AFE_STR#		I	I	AFE Strobe. In the serial mode of operation, AFE_STR# from the AFE triggers the transfer of serial transmit data on TX15 from the ADDP to the AFE and triggers the transfer of serial receive data on RX8 and RX0 from the AFE to the ADDP.
ADC_CLK	128	O	O	Receive Clock for Parallel Mode. In the parallel mode of operation, data on RX[15:0] is clocked in to the ADDP by ADC_CLK. Not used; leave open.
DAC_CLK	2	O	O	Transmit Clock for Parallel Mode. In the parallel mode of operation, data on TX[15:0] is clocked out of the ADDP by DAC_CLK. Not used; leave open.
FILTER_CLK	3	O	O	AFE Filter Clock. This signal can be used by the DAC interface block to strobe the external AFE filters. Not use; leave open
P5200 UIC PARALLEL INTERFACE				
D[15:0]	104, 111-120, 123-127	I/O	It/Ot	Data Bus. A 16-bit input/output data bus used to send data to the UIC during a read operation or receive data from the UIC during a write operation. Connect to D[15:0] to UIC HAD[15:0], respectively.
A[9:0]	91, 94-102	I	It	Address Bus. A 10-bit input address bus that identifies the location in the ADDP that data on D[15:0] is written to during a write operation, or that data is read from during a read operation for placing on D[15:0]. Connect A[9:7] to UIC HC[18:16], respectively and A[6:0] to UIC HC[07:01], respectively.
CS#	87	I	It	Chip Select. Active low control input selects the ADDP. Connect CS# to UIC HC12.
RD#	86	I	It	Data Read Enable. Active low control input strobes (on the negative edge) data from the addressed location in the ADDP onto D[15:0]. Connect RD# to UIC HC08.
WR#	90	I	It	Data Write Enable. Active low control input strobes (on the negative edge) data on D[15:0] into the ADDP addressed location. Connect WR# to UIC HC09.

Table 3-7. CX11627 ADDP Hardware Signal Definitions (Continued)

Signal Name	Pin	I/O	I/O Type	Signal Name/Description
P5200 UIC CONTROL				
RSTB	85	I	I	Reset. Active low control input. When asserted, the ADDP is held in a reset state. Connect to UIC RST# (GPIO9).
IRQ1	83	O	Ot	Interrupt Request 1. Active high interrupt asserted to request service by the UIC. Connect to UIC IRQ0 (GPIO10).
IRQ2	82	O	Ot	Interrupt Request 2. Active high interrupt asserted to request service by the UIC. Connect to UIC IRQ1 (GPIO11).
PWR_DN	79	I	I	Power Down. Active high control input. When asserted, the ADDP is held in a low power mode. Connect to UIC PD (GPIO12).
SSCANMODE	55	I	I	Scan Mode. Connect to UIC SCANMODE (GPIO26).
TLXCK_EN	22	I	I	LSX Transmit Data Clock Generation Enable. Connect to +3.3V.
P5200 UIC SERIAL INTERFACE				
RXSOC0	45	O	O	TC0 Block Receive Start of Cell. Connect to UIC RXSOC0.
R_DAT_AS0	41	O	O	Receive Data (AS0). Connect to UIC RDATAS0.
R_NCO_AS0	39	O	O	Receive NCO (AS0). Connect to UIC RCLKAS0.
T_CLK_AS1	11	I	I	Transmit Data Clock (AS1). Connect to ADDP NCO_AS0.
T_CLK_LS0	15	I/O	I/O	Transmit Data Clock (LS0). Connect to UIC TCLKLS0.
T_DAT_LS0	12	I	I	Transmit Data (LS0). Connect to UIC TDATLS0.
TXSOC0	21	I	I	TC0 Block Transmit Start of Cell. Connect to UIC TXSOC0.
MONITOR INTERFACE				
MON_OUT	77	O	O	Monitor Output. 1-bit serial D/A output used for constellation monitoring. Used for test only; leave open during normal operation.
MON_CLK	78	O	O	Monitor Clock. Serial monitor 138 kHz clock output. Used for test only; leave open during normal operation.
MON_DONE	67	O	O	Monitor Done. New symbol constellation qualifier. Used for test only; leave open during normal operation.
POWER AND GROUND				
VDDcore	25, 26, 59, 60, 61, 70, 71, 93, 108, 109, 134, 140, 154, 155	P	PWR	Core Circuits Supply Voltage. Connect to +2.5V supply.
VDDO	10, 27, 36, 54, 69, 76, 89, 110, 122, 132, 156, 168, 176	P	PWR	Input/Output Circuits Supply Voltage. Connect to +3.3V supply.
VSS	19, 20, 53, 62, 63, 72, 73, 74, 92, 105, 106, 131, 139, 151, 152, 175	G	GND	Core Circuits Ground. Connect to digital ground.
VSSO	1, 9, 18, 28, 35, 52, 64, 75, 88, 107, 121, 133, 153, 167	G	GND	Input/Output Circuits Ground. Connect to digital ground.
VGG	103	R	R	Input Reference Voltage. Reference voltage for +5V tolerant input pins. A connection to +5V allows +5V or +3.3V input levels. A connection to +3.3V allows +3.3V input levels only.

Table 3-7. CX11627 ADDP Hardware Signal Definitions (Continued)

Signal Name	Pin	I/O	I/O Type	Signal Name/Description
NOT USED				
R_INTER_SUPERB	31	O	O	Receive Interleaved Data Bit Output Superframe Qualifier. Not used; leave open.
R_INTER_DATA	32	O	O	Receive Interleaved Data Bit Output. Clocked at BIT_CLOCK rate.
R_FAST_SUPERB	33	O	O	Receive Fast Data Bit Output Superframe Qualifier. Not used; leave open.
R_FAST_FRAMEB	34	O	O	Receive Fast Data Bit Output Frame Qualifier. Not used; leave open.
R_CLK_LS0	47	I	I	Receive Data Clock (LS0). Not used; leave open.
R_CLK_LS1	49	I	I	Receive Data Clock (LS1). Not used; leave open.
R_DAT_AS1	42	O	O	Receive Data (AS1). Not used; leave open.
R_DAT_LS0	48	O	O	Receive Data (LS0). Not used; leave open.
R_DAT_LS1	50	O	O	Receive Data (LS1). Not used; leave open.
R_NCO_AS1	40	O	O	Receive NCO (AS1). Not used; leave open.
R_NCO_LS0	37	O	O	Receive NCO (LS0). Not used; leave open.
R_NCO_LS1	38	O	O	Receive NCO (LS1). Not used; leave open.
CLIPB	84	O	O	Clip Interrupt. This status output goes low for one ADC_CLK clock cycle whenever clipping is detected. This signal can be for monitoring incoming data for saturation. Not used; leave open.
T_INTER_BYTEB	5	O	O	Transmit Interleaved Data Bit Input Enable. Not used; leave open.
T_FAST_BYTEB	4	O	O	Transmit Fast Data Bit Input Enable. Not used; leave open.
T_CLK_AS0	6	I	I	Transmit Data Clock (AS1). Not used; leave open.
T_DAT_AS1	12	I	I	Transmit Data (AS1). Not used; leave open.
T_DAT_AS0	7	I	I	Transmit Data (AS0). Not used; leave open.
T_CLK_LS1	13	I/O	I/O	Transmit Data Clock (LS1). Not used; leave open.
T_DAT_LS1	14	I	I	Transmit Data (LS1). Not used; leave open.
TXSOC1	21	I	I	TC1 Block Transmit Start of Cell. Not used; leave open.
LTR	81	O	O	8 kHz Local Timing Reference. Not used; leave open.
NTR	8	I/O	I/O	8 kHz Network Timing Reference. Not used; leave open.
NTR_CTL	29	I	I	Network Timing Reference I/O Control. Not used; leave open.
BIT_CLOCK	17	O	O	Serial Data Bit Clock Output. Used to synchronize the serial input and output data bit streams, enables, and superframe qualifiers. Not used; leave open.
NOTES:				
I/O Types: See Table 3-8.				

Table 3-8. CX11627 ADDP Input/Output Type Descriptions

I/O Type	Description
It	Digital input, +5 V tolerant, $C_{IN} = 8 \text{ pF}$
It/Ot4	Digital input, +5 V tolerant, $C_{IN} = 8 \text{ pF}$ /Digital output, 4 mA, $Z_{INT} = 80 \Omega$
lth	Digital input, +5 V tolerant, with hysteresis, $C_{IN} = 8 \text{ pF}$
ltpd	Digital input, +5 V tolerant, 75k Ω pull-down, $C_{IN} = 8 \text{ pF}$
ltpu	Digital input, +5 V tolerant, 75k Ω pull-up, $C_{IN} = 8 \text{ pF}$
ltpu/Ot4	Digital input, +5 V tolerant, 75k Ω pull-up, $C_{IN} = 8 \text{ pF}$ /Digital output, 4 mA, $Z_{INT} = 80 \Omega$
Ots4	Digital output, 3-State, 4 mA, $Z_{INT} = 80 \Omega$
NOTES:	
1. See DC characteristics in Table 3-9.	
2. I/O Type corresponds to the device Pad Type. The I/O column in tables refers to signal I/O direction used in the application.	

3.2.2 CX11627 ADDP Electrical and Environmental Specifications

CX11627 ADDP DC electrical characteristics are listed in Table 3-9.

CX11627 ADDP operating conditions are specified in Table 3-10.

CX11627 ADDP absolute maximum ratings are stated in Table 3-11.

CX11627 ADDP power consumption is listed in Table 3-12.

Table 3-9. CX11627 ADDP DC Electrical Characteristics

Parameter	Symbol	Min.	Typ.	Max.	Units	Test Conditions (see Note 1)
Input high voltage	V _{IH}	0.9*V _{DDO}		V _{DDO}	VDC	
Input low voltage	V _{IL}	GND		0.1*V _{DDO}	VDC	
Input leakage current	I _{IL} /I _{IH}	-10		10	μA	
Input capacitance	C _{IN}		2.9		pF	
Output high voltage	V _{OH}	0.9*V _{DDO}		V _{DDO}	VDC	
Output low voltage	V _{OL}	GND		0.1*V _{DDO}	VDC	
Three-state output leakage	I _{LK}	10		10	μA	
Output capacitance	C _{OUT}		3.1		pF	
Three-state output leakage	I _{LK}	-10		10	μA	
Input/output capacitance	C _{INOUT}		3.9		pF	

NOTES:

- Test Conditions (unless otherwise stated):
 V_{DDcore} = +2.5 ± 0.2 VDC
 V_{DDO} = +3.3 ± 0.3 VDC;
 V_{IN (MAX)} = +3.6 for V_{GG} connected to +3.3V;
 V_{IN (MAX)} = +5.25V for V_{GG} connected to +5V.
- Current flow out of the device is shown as minus.

Table 3-10. CX11627 ADDP Operating Conditions

Parameter	Symbol	Min	Typ	Max	Units
Core power supply	VDDcore	2.3	2.5	2.7	VDC
I/O power supply	VDDO	3.0	3.3	3.6	VDC
Operating temperature	TA	0		+70	°C

Table 3-11. CX11627 ADDP Absolute Maximum Ratings

Parameter	Symbol	Min	Max	Units
Core power supply	VDDcore	-0.35	2.8	VDC
I/O power supply	VDDO	-0.35	3.7	VDC
Input voltage	VIN	-0.3	VDD + 0.3	VDC
Storage temperature	TS	-65	150	°C

Table 3-12. CX11627 ADDP Power Consumption

Mode	Typ. Current (mA)	Max. Current (mA)	Typ. Power (mW)	Max. Power (mW)
VDDcore (+2.5 V)	190	210	475	570
VDDO (+3.3 V)	35	65	115	235

NOTES:

- Operating voltage: VDDcore = +2.5 VDC ± 0.2 VDC
VDDO = +3.3 VDC ± 0.3 VDC.
- Test conditions: VDDcore = +2.5 VDC for typical values; VDDcore = +2.7 VDC for maximum values.
VDDO = +3.3 VDC for typical values; VDDO = +3.6 VDC for maximum values

3.3 CX20431 AFE Hardware Interface Signals

3.3.1 CX20431 AFE Hardware Signals, Pin Assignments, and Signal Definitions

CX20431 AFE hardware interface signals are shown in Figure 3-5.

CX20431 AFE pin assignments are shown in Figure 3-6.

CX20431 AFE hardware interface signals are defined in Table 3-13. DC characteristics are listed in Table 3-15.

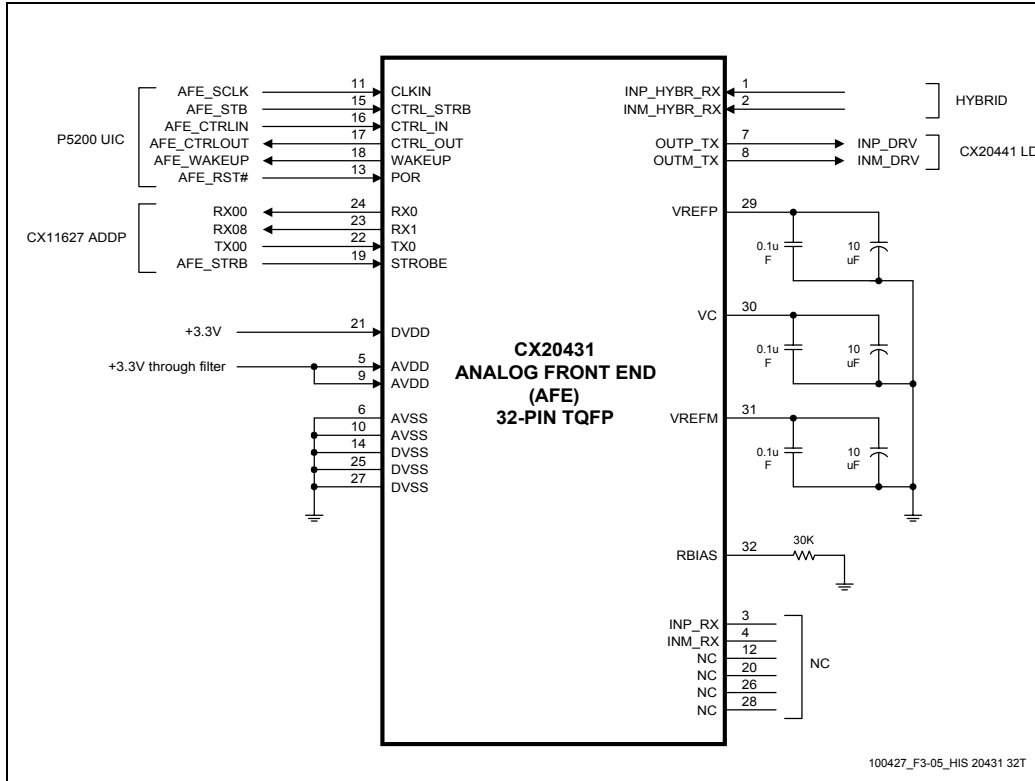


Figure 3-5. CX20431 AFE Hardware Interface Signals

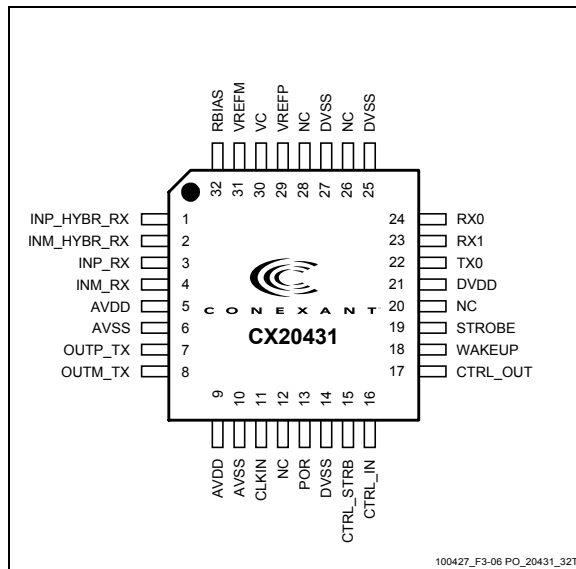


Figure 3-6. CX20431 AFE Pin Signals - 32-Pin TQFP

Table 3-13. CX20431 AFE Hardware Signal Definitions

Signal Name	Pin	I/O	I/O Type	Signal Name/Description
CLOCK INTERFACE				
CLKIN	11	I	It	Clock In. Connect to 35.328 MHz voltage controlled crystal oscillator (VCXO) output through 51 Ω .
P5200 UIC CONTROL AND CX11627 ADDP SERIAL INTERFACE				
CTRL_STRB	15	I	It	Strobe In. Strobe input for the control interface. Connect to UIC AFE_STB.
CTRL_IN	16	I	It	Control In. Serial digital data received from the UIC. Connect to UIC AFE_CTRLIN.
CTRL_OUT	17	O	Ot	Control Out. Serial digital data sent to the UIC. Connect to UIC AFE_CTRLOUT.
WAKEUP	18	O	Ot	WakeUp. Digital output for tone detection mode. Connect to UIC AFE_WAKEUP.
POR#	13	I	It	Reset. Active low power-On reset. Connect to UIC AFE_RST#.
P5200 UIC CONTROL AND CX11627 ADDP SERIAL INTERFACE				
STROBE	19	O	Ot	Strobe. Strobe output for the data interface. The negative STROBE edge triggers the transfer of serial transmit data on TX0 from the ADDP to the AFE and triggers the transfer of serial receive data on RX0 and RX1 from the AFE to the ADDP. Connect to ADDP AFE_STRB and to UIC AFE_SCLK.
CX11627 ADDP SERIAL INTERFACE				
RX0	24	O	Ot	Receive Data. Digital receive serial data output on RX0 is transferred to the ADDP. The negative edge of the STROBE signal from the AFE clocks the data into the ADDP. Connect to ADDP AFE_RX00.
RX1	23	O	Ot	Receive Data. Digital receive serial data output on RX1 is transferred data to the ADDP. The negative edge of the STROBE signal from the AFE clocks the data into the ADDP. Connect to ADDP AFE_RX08.
TX0	22	I	It	Transmit Data. Digital transmit serial data input on TX0 is transferred from the ADDP. The negative edge of the STROBE signal clocks the data from the ADDP. Connect to ADDP AFE_TX00.
HYBRID INTERFACE				
INP_HYBR_RX	1	I	Ia	Receive Input Positive from Hybrid. Receive input positive from the hybrid circuit. AC couple through 1 μ F.
INM_HYBR_RX	2	I	Ia	Receive Input Negative from Hybrid. Receive input negative from the hybrid circuit. AC couple through 1 μ F.
CX20441 LINE DRIVER INTERFACE				
OUTP_TX	7	O	Oa	Transmit Output Positive. Transmit output positive to the LD. Connect to LD INP_DRV.
OUTM_TX	8	O	Oa	Transmit Output Negative. Transmit output negative to the LD. Connect to LD INM_DRV.
POWER AND GROUND				
VREFP	29	REF	REF	Analog Reference Voltage (+2.5V). Connect to GND through 10 μ F and 0.1 μ F in parallel.
VC	30	REF	REF	Analog Reference Voltage (+1.5V). Connect to GND through 10 μ F and 0.1 μ F in parallel.
VREFM	31	REF	REF	Analog Reference Voltage (+0.5V). Connect to GND through 10 μ F and 0.1 μ F in parallel.
RBIAS	32	REF	REF	Analog Current Reference. Current setting external resistor. Connect to GND through 30 k Ω resistor (\pm 1%).
DVDD	21	PWR	PWR	Digital Circuits Supply. Connect to +3.3V.
AVDD	5, 9	PWR	PWR	Analog Circuits Supply Voltage. Connect to +3.3V through filter.
DVSS	14, 25, 27	GND	GND	Digital Circuits Ground. Connect to GND.
AVSS	6, 10	AGND	AGND	Analog Circuit Ground. Connect to GND.

Table 3-3. CX20431 AFE Hardware Signal Definitions (Continued)

Signal Name	Pin	I/O	I/O Type	Signal Name/Description
NOT USED				
INP_RX	3	I	Ia	Receive Input Positive. Not used. Leave open.
INM_RX	4	I	Ia	Receive Input Negative. Not used. Leave open.
NC	12, 20, 26, 28			No Connect. These pins are not connected to internal circuitry.
NOTES:				
I/O Types: See Table 3-15.				

Table 3-14. CX20431 AFE Input/Output Type Descriptions

I/O Type	Description
Ia	Analog input
It	Digital input, +5V tolerant, $C_{IN} = 8 \text{ pF}$
It/Ot4	Digital input, +5V tolerant, $C_{IN} = 8 \text{ pF}$ /Digital output, 4 mA, $Z_{INT} = 80 \Omega$
Ith	Digital input, +5V tolerant, with hysteresis, $C_{IN} = 8 \text{ pF}$
Itpd	Digital input, +5V tolerant, 75k Ω pull-down, $C_{IN} = 8 \text{ pF}$
Itpu	Digital input, +5V tolerant, 75k Ω pull-up, $C_{IN} = 8 \text{ pF}$
Itpu/Ot4	Digital input, +5V tolerant, 75k Ω pull-up, $C_{IN} = 8 \text{ pF}$ /Digital output, 4 mA, $Z_{INT} = 80 \Omega$
Oa	Analog Output
Ots4	Digital output, 3-State, 4 mA, $Z_{INT} = 80 \Omega$
NOTES:	
1. See DC characteristics in Table 3-15 and analog electrical characteristics in Table 3-16.	
2. I/O Type corresponds to the device Pad Type. The I/O column in tables refers to signal I/O direction used in the application.	

3.3.2 CX20431 AFE Electrical and Environmental Specifications

CX20431 AFE DC electrical characteristics are listed Table 3-15.

CX20431 AFE analog electrical characteristics are listed Table 3-16.

CX20431 AFE operating conditions are specified in Table 3-17.

CX20431 AFE absolute maximum ratings are stated in Table 3-18.

CX20431 AFE power consumption is listed in Table 3-19.

Table 3-15. CX20431 AFE DC Electrical Characteristics

Parameter	Symbol	Min.	Typ.	Max.	Units	Test Conditions (see Note 1)
Input high voltage	VIH	0.65*VDD		VDD+0.35	VDC	
Input low voltage	VIL	-0.35		0.25*VDD	VDC	
Input leakage current	IIL	-10		10	μA	
Output high voltage	VOH	0.85*VDD		VDD	VDC	
Output low voltage	VOL	0		0.1*VDD	VDC	
Output leakage current	IOLK	10		10	μA	

NOTES:

- Test Conditions (unless otherwise stated):
DVDD and AVDD = +5.0 ± 0.25 VDC
VIN (MAX) = +5.25V
- Current flow out of the device is shown as minus.

Table 3-16. CX20431 AFE Analog Electrical Characteristics

Parameter	Min	Typ	Max	Units
Receive Path				
Differential input amplitude of in-band signal			2	Vp
Differential input amplitude of echo			2.1	Vp
Input-referred noise density in 170 kHz – 1104 kHz, gain = 27 dB		15	20	nV/sqrt (Hz)
Input-referred noise density in 170 kHz – 1104 kHz, gain = 0 dB		150		nV/sqrt (Hz)
Intermodulation product falling in the downstream band, from an echo tone with an in band signal, gain = 27 dB		-80		dBFS
Intermodulation product falling in the downstream band, from 2 in band tones, gain = 0 dB		-80		dBFS
In-band ripple		1.5		dB
Input resistance (single-ended)	85			kΩ
Input capacitance (single-ended)			90	pF
Transmit Path				
Differential output amplitude		2		Vp
Output-referred noise density in 25 kHz – 132 kHz		250	300	nV/sqrt (Hz)
Output-referred noise density in 170 kHz – 1104 kHz		20		nV/sqrt (Hz)
Intermodulation product from 2 in band tones		-80		dBV
In-band ripple		1.25		dB
Output resistive load (single-ended)	5	20		kΩ
Output capacitive load (single-ended)			20	pF

Table 3-17. CX20431 AFE Operating Conditions

Parameter	Symbol	Min	Typ	Max	Units
Power supply	DVDD and AVDD	3.135	3.3	3.465	VDC
Operating ambient temperature	TA	0		70	°C

Table 3-18. CX20431 AFE Absolute Maximum Ratings

Parameter	Symbol	Min	Max	Units
Power supply	DVDD and AVDD	-0.35	3.6	VDC
Digital input voltage	VIN	-0.35	DVDD +0.35	VDC
Analog input voltage	VIN	-0.35	AVDD +0.35	VDC
Storage temperature	TS	-65	150	°C

Table 3-19. CX20431 AFE Power Consumption

Mode	Typ. Current (mA)	Max. Current (mA)	Typ. Power (mW)	Max. Power (mW)
DVDD	25		83	
AVDD	40.5		134	

NOTES:
 3. Operating voltage: DVDD and AVDD = +3.3 VDC ± 0.165 VDC.
 4. Test conditions: DVDD and AVDD = +3.3 VDC for typical values; DVDDO and AVDD = +3.465 VDC for maximum values.

3.4 CX20441 LD Hardware Interface Signals

3.4.1 CX20441 LD Hardware Signals, Pin Assignments, and Signal Definitions

CX20441 LD hardware interface signals are shown in Figure 3-7.

CX20441 LD pin assignments are shown in Figure 3-8.

CX20441 LD hardware interface signals are defined in Table 3-20.

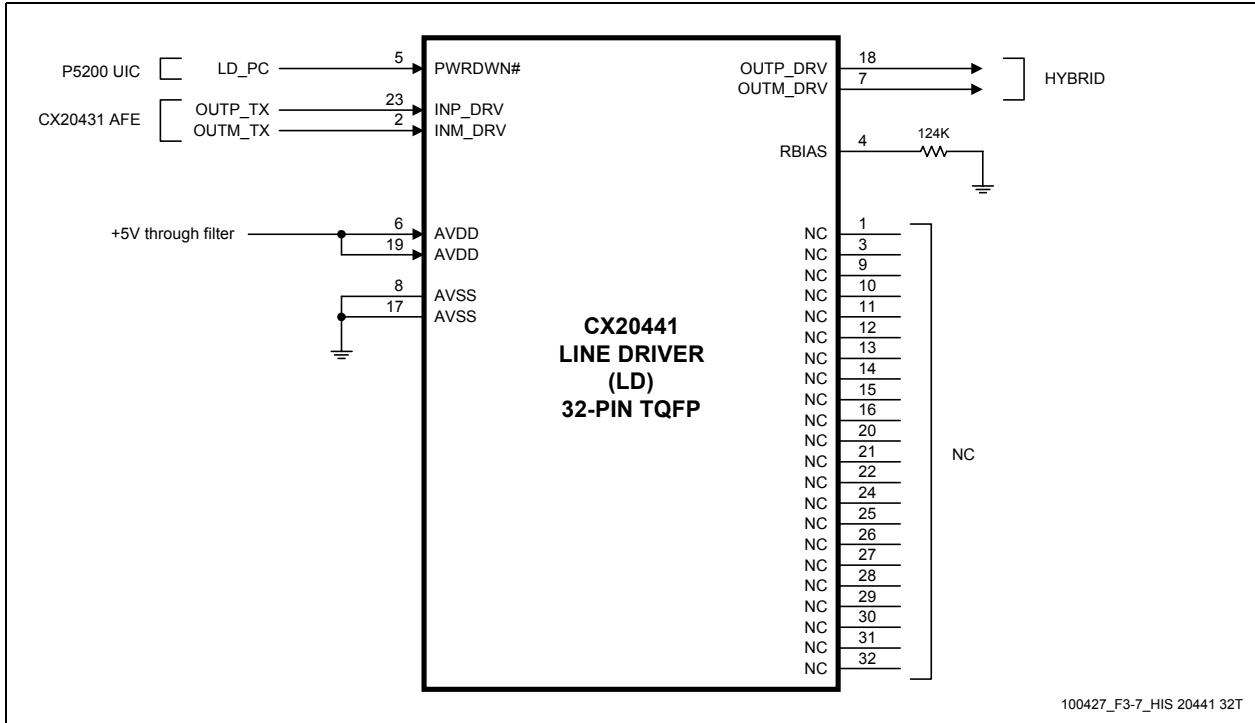


Figure 3-7. CX20441 LD Hardware Interface Signals

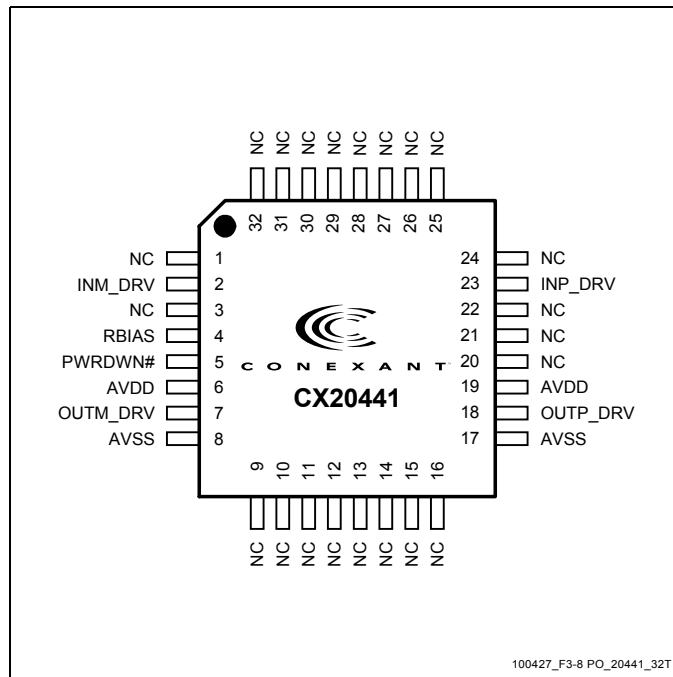


Figure 3-8. CX20441 LD Pin Signals - 32-Pin TQFP

Table 3-20. CX20441 LD Hardware Signal Definitions

Signal Name	Pin	I/O	I/O Type	Signal Name/Description
P5200 UIC INTERFACE				
PWRDWN#	5	I	It	Power Down. Active low power down control input. Connect to UIC AFE_RST#
CX20431 AFE INTERFACE				
INP_DRV	23	I	Ia	Input Driver Positive. Transmit driver input positive from the AFE. Connect to AFE OUTP_TX through 1 μ F.
INM_DRV	2	I	Ia	Input Driver Negative. Transmit driver input negative input from the AFE. Connect to AFE OUTM_TX through 1 μ F.
HYBRID INTERFACE				
OUTP_DRV	18	O	Oa	Output Driver Positive. Transmit driver output positive to the hybrid circuit. $I_{max} = 280$ mA.
OUTM_DRV	7	O	Oa	Output Driver Negative Transmit driver output negative to the hybrid circuit. $I_{max} = 280$ mA.
MISCELLANEOUS				
RBIAS	4	REF	REF	Bias. Current setting external resistor. Connect to GND through 124 k Ω resistor ($\pm 1\%$).
POWER AND GROUND				
AVDD	6, 19	PWR	PWR	Analog Power. Connect to +5V through filter.
AVSS	8, 17	GND	GND	Analog Ground. Connect to GND.
NO CONNECT				
NC	1, 3, 9-16, 20-22, 24-32			No Connect. These pins are not connected to internal circuitry.
NOTES:				
I/O Types: See Table 3-21.				

Table 3-21. CX20441 LD Input/Output Type Descriptions

I/O Type	Description
It	Digital input, +5V tolerant, $C_{IN} = 8$ pF
Ia	Analog input
Oa	Analog output
NOTES:	
1. See analog electrical characteristics in Table 3-22.	
2. I/O Type corresponds to the device Pad Type. The I/O column in tables refers to signal I/O direction used in the application.	

3.4.2 CX20441 LD Electrical and Environmental Specifications

CX20441 LD analog electrical characteristics are listed Table 3-22.

CX20441 LD operating conditions are specified in Table 3-23.

CX20441 LD absolute maximum ratings are stated in Table 3-24.

CX20441 LD power consumption is listed in Table 3-25.

Table 3-22. CX20441 LD Analog Electrical Characteristics

Parameter	Min	Typ	Max	Units
Differential output amplitude			4.485	Vp
Differential input amplitude			2.0	Vp
Input signal bandwidth		25..132		kHz
Input referred noise density in 170 kHz – 1104 kHz		5	10	nV/sqrt (Hz)
Input referred noise density beyond 1104 kHz			270	nV/sqrt (Hz)
Intermodulation product falling in the downstream band from two in-band tones (100 kHz and 120 kHz)		-75		dBV
Differential gain		7.014		dB
In-band ripple			0.05	dB
Input capacitance (single-ended)			15	PF
Input resistance (single-ended)	20			kΩ
Output capacitance (single-ended)			10	pF
Output resistive load (single-ended)		18.36		Ω

Table 3-23. CX20441 LD Operating Conditions

Parameter	Symbol	Min	Typ	Max	Units
Power supply	AVDD	4.75	5	5.25	VDC
Operating ambient temperature	TA	0		70	°C

Table 3-24. CX20441 LD Absolute Maximum Ratings

Parameter	Symbol	Min	Max	Units
Power supply	AVDD	-0.35	7	VDC
Digital input voltage	VIN	-0.35	AVDD + 0.35	VDC
Analog input voltage	VIN	-0.35	AVDD + 0.35	VDC
Storage temperature	TS	-65	150	°C

Table 3-25. CX20441 LD Power Consumption

Mode	Typ. Current (mA)	Max. Current (mA)	Typ. Power (mW)	Max. Power (mW)
AVDD	18	24	90	126

NOTES:

1. Operating voltage: AVDD = +5.0 VDC ± 0.25 VDC.
2. Test conditions: AVDD = +5.0 VDC for typical values; AVDD = +5.25 VDC for maximum values; modem in Showtime mode.

This page is intentionally blank.

4. USB General Operation

4.1 Descriptors

USB devices report their attributes using descriptors. A descriptor is a data structure with a defined format, which begins with a byte-wide field that contains the total number of bytes in the descriptor followed by a byte-wide field that identifies the descriptor type.

Class and vendor specific descriptors may be returned in one of two ways. Class and vendor specific descriptors that are related to standard descriptors are returned in the same data buffer as the standard descriptor. If a class or vendor specific descriptor is not related to a standard descriptor, it is returned using class or vendor specific requests.

4.1.1 Device Descriptor

A device descriptor describes general information about a USB device, which applies globally to the device and all of the device's configurations (Table 4-1). A USB device has only one device descriptor. Vendor ID, Product ID, and Device Release Number can be changed. The Manufacturer Name, Product Name, and Serial Number can also be customized.

Table 4-1. Device Descriptors

Offset	Field	Size	Value	Default (Hex.)	Description
0	<i>bLength</i>	1	Number	12	Size of this descriptor in bytes.
1	<i>bDescriptorType</i>	1	Constant	01	DEVICE Descriptor Type.
2	<i>bcdUSB</i>	2	BCD	0110	USB Specification Release Number in Binary-Coded Decimal (i.e., 2.10 is 0x210). This field identifies the release of the USB Specification that the device and its descriptors are compliant with.
4	<i>bDeviceClass</i>	1	Class	00	Class code (assigned by USB). If this field is reset to 0, each interface within a configuration specifies its own class information and the various interfaces operate independently. If this field is set to a value between 1 and 0xFE, the device supports different class specifications on different interfaces and the interfaces may not operate independently. This value identifies the class definition used for the aggregate interfaces. (For example, a CD-ROM device with audio and digital data interfaces that require transport control to eject CDs or start them spinning.) If this field is set to 0xFF, the device class is vendor specific.
5	<i>bDeviceSubClass</i>	1	SubClass	00	Subclass code (assigned by USB). These codes are qualified by the value of the <i>bDeviceClass</i> field. If the <i>bDeviceClass</i> field is reset to 0, this field must also be reset to 0. If the <i>bDeviceClass</i> field is not set to 0xFF, all values are reserved for assignment by USB.
6	<i>bDeviceProtocol</i>	1	Protocol	00	Protocol code (assigned by USB). These codes are qualified by the value of the <i>bDeviceClass</i> and the <i>bDeviceSubClass</i> fields. If a device supports class-specific protocols on a device basis as opposed to an interface basis, this code identifies the protocols that the device uses as defined by the specification of the device class. If this field is reset to 0, the device does not use class specific protocols on a device basis. However, it may use class specific protocols on an interface basis. If this field is set to 0xFF, the device uses a vendor specific protocol on a device basis.
7	<i>bMaxPacketSize0</i>	1	Number	40	Maximum packet size for endpoint zero (only 8, 16, 32, or 64 are valid).
8	<i>idVendor</i>	2	ID	0572	Vendor ID (assigned by USB).
10	<i>idProduct</i>	2	ID	CAFE	Product ID (assigned by the manufacturer).
12	<i>bcdDevice</i>	2	BCD	0001	Device release number in binary-coded decimal.
14	<i>iManufacturer</i>	1	Index	01	Index of string descriptor describing manufacturer.
15	<i>iProduct</i>	1	Index	02	Index of string descriptor describing product.
16	<i>iSerialNumber</i>	1	Index	03	Index of string descriptor describing the device's serial number.
17	<i>bNumConfigurations</i>	1	Number	01	Number of possible configurations.

4.1.2 Configuration Descriptor

A configuration descriptor describes information about a specific device configuration (see Table 4-2). The descriptor describes the number of interfaces provided by the configuration.

Table 4-2. Configuration Descriptors

Offset	Field	Size	Value	Default (Hex.)	Description
0	<i>bLength</i>	1	Number	09	Size of this descriptor in bytes.
1	<i>bDescriptorType</i>	1	Constant	02	CONFIGURATION.
2	<i>wTotalLength</i>	2	Number	0043	Total length of data returned for this configuration. Includes the combined length of all descriptors (configuration, interface, endpoint, and class or vendor specific) returned for this configuration.
4	<i>bNumInterfaces</i>	1	Number	01	Number of interfaces supported by this configuration.
5	<i>bConfigurationValue</i>	1	Number	01	Value to use as an argument to Set Configuration to select this configuration.
6	<i>iConfiguration</i>	1	Index	00	Index of string descriptor describing this configuration.
7	<i>bmAttributes</i>	1	Bitmap	A0	<p>Configuration characteristics</p> <ul style="list-style-type: none"> D7 Bus Powered D6 Self Powered D5 Remote Wakeup D4..0 Reserved (reset to 0) <p>A device configuration that uses power from the bus and a local source sets both D7 and D6. The actual power source at runtime may be determined using the Get Status device request.</p> <p>If a device configuration supports remote wakeup, D5 is set to 1.</p>
8	<i>MaxPower</i>	1	mA	FA	<p>Maximum power consumption of USB device from the bus in this specific configuration when the device is fully operational. Expressed in 2 mA units (i.e., 50 = 100 mA).</p> <p><i>Note: A device configuration reports whether the configuration is bus-powered or self-powered. Device status reports whether the device is currently self-powered. If a device is disconnected from its external power source, it updates device status to indicate that it is no longer self-powered.</i></p> <p><i>A device may not increase its power draw from the bus, when it loses its external power source, beyond the amount reported by its configuration.</i></p> <p><i>If a device can continue to operate when disconnected from its external power source, it continues to do so. If the device cannot continue to operate, it fails operations it can no longer support. Host software may determine the cause of the failure by checking the status and noting the loss of the device's power source.</i></p>

4.1.3 Interface Descriptor

An interface descriptor describes a specific interface provided by the associated configuration (see Table 4-3). It is always returned as part of a configuration descriptor. An interface descriptor never includes endpoint zero in the number of endpoints.

Table 4-3. Interface Descriptors

Offset	Field	Size	Value	Default (Hex.)	Description
0	<i>bLength</i>	1	Number	09	Size of this descriptor in bytes.
1	<i>bDescriptorType</i>	1	Constant	04	INTERFACE Descriptor Type.
2	<i>bInterfaceNumber</i>	1	Number	00	Number of interface. Zero-based value identifying the index in the array of concurrent interfaces supported by this configuration.
3	<i>bAlternateSetting</i>	1	Number	00	Value used to select alternate setting for the interface identified in the prior field.
4	<i>bNumEndpoints</i>	1	Number	07	Number of endpoints used by this interface (excluding endpoint zero). If this value is 0, this interface only uses endpoint zero.
5	<i>bInterfaceClass</i>	1	Class	00	Class code (assigned by USB). If this field is reset to 0, the interface does not belong to any USB specified device class. If this field is set to 0xFF, the interface class is vendor specific. All other values are reserved for assignment by USB.
6	<i>bInterfaceSubClass</i>	1	SubClass	00	Subclass code (assigned by USB). These codes are qualified by the value of the <i>bInterfaceClass</i> field. If the <i>bInterfaceClass</i> field is reset to 0, this field must also be reset to 0. If the <i>bInterfaceClass</i> field is not set to 0xFF, all values are reserved for assignment by USB.
7	<i>bInterfaceProtocol</i>	1	Protocol	00	Protocol code (assigned by USB). These codes are qualified by the value of the <i>bInterfaceClass</i> and the <i>bInterfaceSubClass</i> fields. If an interface supports class-specific requests, this code identifies the protocols that the device uses as defined by the specification of the device class. If this field is reset to 0, the device does not use a class specific protocol on this interface. If this field is set to 0xFF, the device uses a vendor specific protocol for this interface.
8	<i>iInterface</i>	1	Index	00	Index of string descriptor describing this interface.

4.1.4 Endpoint Descriptor

Each endpoint used for an interface has its own descriptor, which contains the information required by the host to determine the bandwidth requirements of each endpoint (see Table 4-4). An endpoint descriptor, like an Interface Descriptor, is always returned as part of a configuration descriptor. The default values are:

Bulk In 1: 07058102400000
 Bulk Out 1: 07050102400000
 Bulk In 2: 07058202400000
 Bulk Out 2: 07050202400000
 Bulk In 3: 07058302400000
 Bulk Out 3: 07050302400000
 Bulk In 4: 07058402400000
 Bulk Out 4: 07050402400000

Table 4-4. Endpoint Descriptors

Offset	Field	Size	Value	Description
0	<i>bLength</i>	1	Number	Size of this descriptor in bytes.
1	<i>bDescriptorType</i>	1	Constant	ENDPOINT Descriptor Type.
2	<i>bEndpointAddress</i>	1	Endpoint	The address of the endpoint on the USB device described by this descriptor. The address is encoded as follows: Bit 0..3: The endpoint number Bit 4..6: Reserved, reset to 0 Bit 7: Direction, ignored for control endpoints 0 OUT endpoint 1 IN endpoint
3	<i>bmAttributes</i>	1	Bit Map	This field describes the endpoint's attributes when it is configured using the <i>bConfigurationValue</i> . Bit 0..1: Transfer Type 00 Control 01 Isochronous 10 Bulk 11 Interrupt All other bits are reserved
4	<i>wMaxPacketSize</i>	2	Number	Maximum packet size this endpoint is capable of sending or receiving when this configuration is selected. For isochronous endpoints, this value is used to reserve the bus time in the schedule, required for the per frame data payloads. The pipe may, on an ongoing basis, actually use less bandwidth than that reserved. The device reports, if necessary, the actual bandwidth used via its normal, non-USB defined mechanisms. For interrupt, bulk, and control endpoints smaller data payloads may be sent, but will terminate the transfer and may or may not require intervention to restart. Refer to Chapter 5 for more information.
6	<i>bInterval</i>	1	Number	Interval for polling endpoint for data transfers. Expressed in milliseconds. This field is ignored for bulk and control endpoints. For isochronous endpoints this field must be set to 1. For interrupt endpoints, this field may range from 1 to 255.

4.1.5 Enumeration

The enumeration process consists of the following steps:

1. Get device descriptor. The host requests and reads the device descriptor to determine maximum packet size.
2. Set address. The host sends the function address in a data packet using function endpoint 0. Device firmware interprets this data.
3. Get device descriptor. The host requests and reads the device descriptor to determine such information as device class, USB Specification compliance level, maximum packet size for endpoint 0, vendor id, product id. Etc.
4. Get configuration descriptor. The host requests and reads the device configuration descriptor to determine such information as the number of interfaces and endpoints; endpoint transfer type, packet size, and direction; power source ;maximum power; etc. When the host requests the configuration descriptor, all related interface and endpoint descriptors are returned.
5. Set configuration. The host assigns a configuration value to the device to establish the current configuration.

4.1.6 Endpoint Pairs

Data transfers with the host are made to/from endpoint pairs on the USB module. The five function endpoint pairs are listed in Table 4-5.

Table 4-5. Endpoint Pairs

Endpoint Pair	Max. Packet Size	Max. Packet Size	USB Data Transfer Types
Function Endpoint 0	64 bytes	64 bytes	Control
Function Endpoint 1	64 bytes	64 bytes	Bulk
Function Endpoint 2	64 bytes	64 bytes	Bulk
Function Endpoint 3	64 bytes	64 bytes	Bulk
Function Endpoint 4	64 bytes	64 bytes	Bulk

4.1.7 Language ID Table

See Language ID data in Table 4-6.

Table 4-6. Language ID Table

Offset	Field	Size	Value	Default (Hex.)	Description
0	<i>bLength</i>	1	Number	04	Size of this descriptor in bytes.
1	<i>bDescriptorType</i>	1	Constant	03	INTERFACE Descriptor Type.
2		2	Number	0409	

4.1.8 Manufacturer String Table

See Manufacturer String data in Table 4-7.

Table 4-7. Manufacturer String Table

Offset	Field	Size	Value	Default (Hex.)	Description
0	<i>bLength</i>	1	Number	04	Size of this descriptor in bytes.
1	<i>bDescriptorType</i>	1	Constant	03	INTERFACE Descriptor Type.
2		2		00 '.'	Manufacturer string, in unicode

4.1.9 Product ID String Table

See Product ID String data in Table 4-8.

Table 4-8. Product ID String Table

Offset	Field	Size	Value	Default (Hex.)	Description
0	<i>bLength</i>	1	Number	1E	Size of this descriptor in bytes.
1	<i>bDescriptorType</i>	1	Constant	03	INTERFACE Descriptor Type.
2		28		00 'A' 00 'D' 00 'S' 00 'L' 00 .. 00 'U' 00 'S' 00 'B' 00 .. 00 'M' 00 'O' 00 'D' 00 'E' 00 'M'	Product ID string, in unicode

4.1.10 Serial Number String Table

See Serial Number String data in Table 4-9.

Table 4-9. Serial Number String Table

Offset	Field	Size	Value	Default (Hex.)	Description
0	<i>bLength</i>	1	Number	12	Size of this descriptor in bytes.
1	<i>bDescriptorType</i>	1	Constant	03	INTERFACE Descriptor Type.
2		16		FF FF FF FF FF FF FF FF FF FF FF FF FF FF FF FF	Serial number string, in unicode. A serial number string that is all FF will cause the firmware to generate a pseudorandom serial number string.

5. Package Dimensions

The package dimensions are shown in Figure 5-1 (176-pin TQFP) and Figure 5-2 (32-pin TQFP).

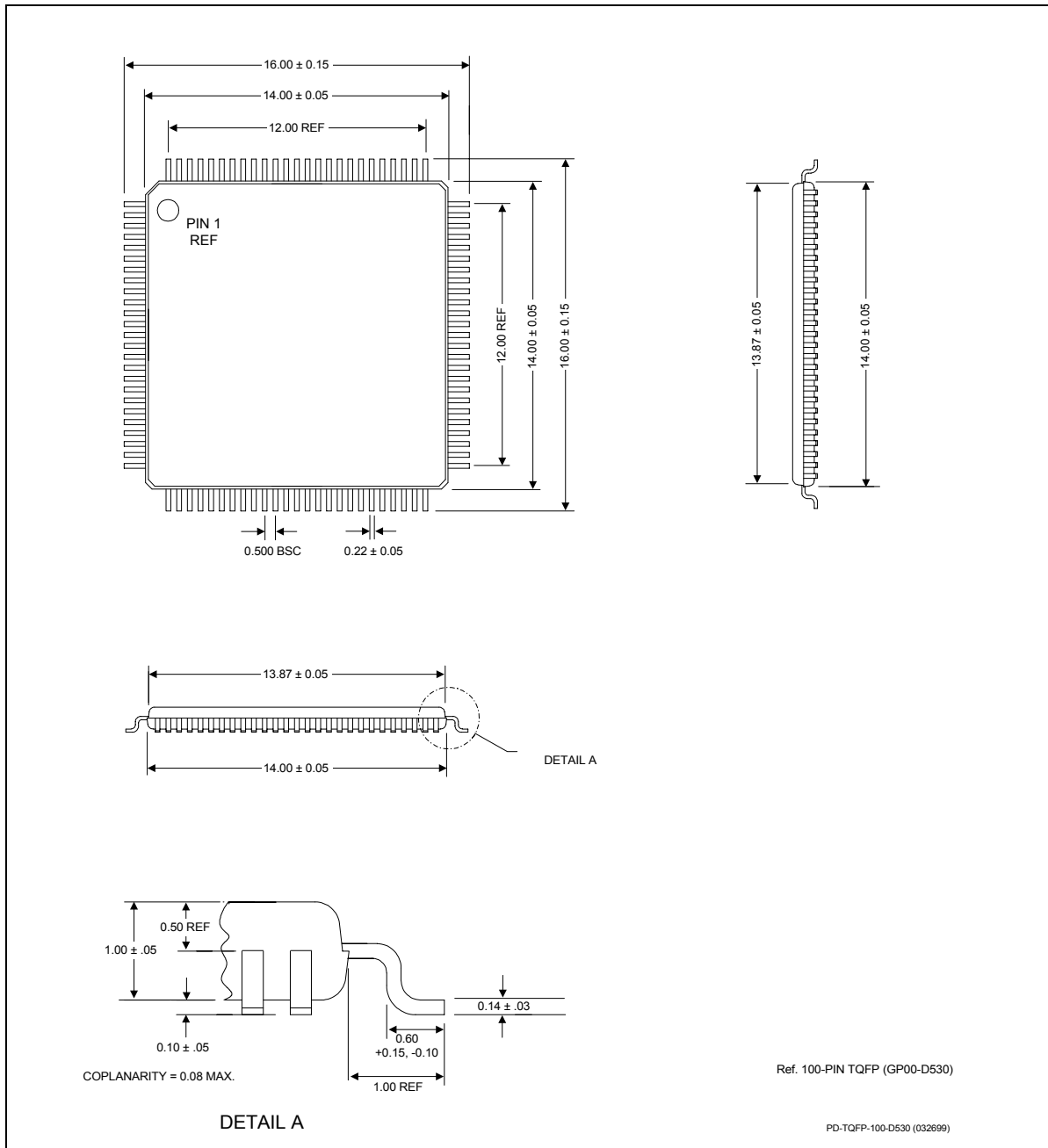


Figure 5-1. Package Dimensions - 176-Pin TQFP

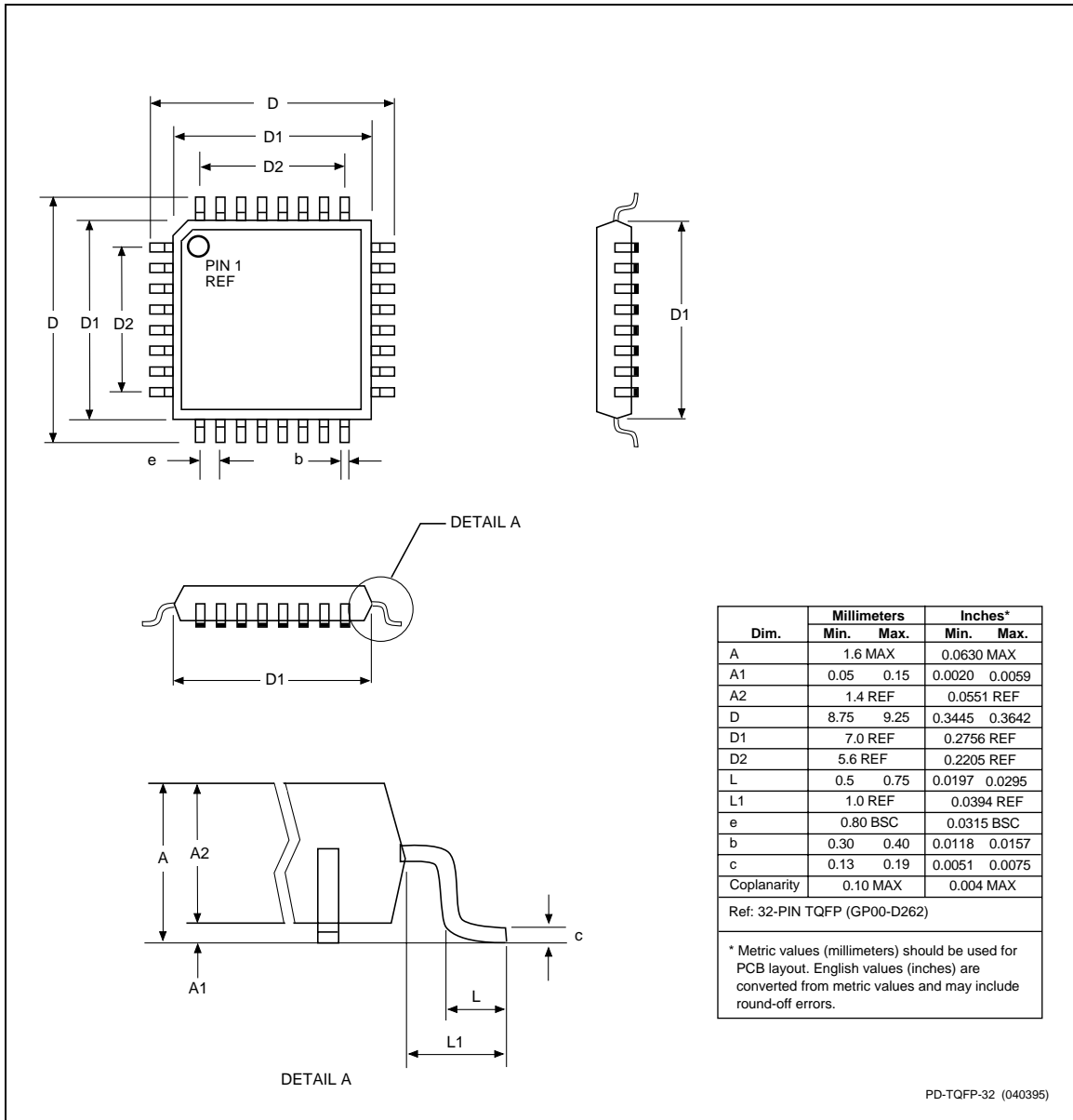


Figure 5-2. Package Dimensions - 32-Pin TQFP

NOTES



Further Information

literature@conexant.com
(800) 854-8099 (North America)
(949) 483-6996 (International)
Printed in USA

World Headquarters

Conexant Systems, Inc.
4311 Jamboree Road
Newport Beach, CA
92660-3007
Phone: (949) 483-4600
Fax 1: (949) 483-4078
Fax 2: (949) 483-4391

Americas

**U.S. Northwest/
Pacific Northwest – Santa Clara**
Phone: (408) 249-9696
Fax: (408) 249-7113

U.S. Southwest – Los Angeles
Phone: (805) 376-0559
Fax: (805) 376-8180

U.S. Southwest – Orange County
Phone: (949) 483-9119
Fax: (949) 483-9090

U.S. Southwest – San Diego
Phone: (858) 713-3374
Fax: (858) 713-4001

U.S. North Central – Illinois
Phone: (630) 773-3454
Fax: (630) 773-3907

U.S. South Central – Texas
Phone: (972) 733-0723
Fax: (972) 407-0639

U.S. Northeast – Massachusetts
Phone: (978) 367-3200
Fax: (978) 256-6868

U.S. Southeast – North Carolina
Phone: (919) 858-9110
Fax: (919) 858-8669

**U.S. Southeast – Florida/
South America**
Phone: (727) 799-8406
Fax: (727) 799-8306

U.S. Mid-Atlantic – Pennsylvania
Phone: (215) 244-6784
Fax: (215) 244-9292

Canada – Ontario
Phone: (613) 271-2358
Fax: (613) 271-2359

Europe

Europe Central – Germany
Phone: +49 89 829-1320
Fax: +49 89 834-2734

Europe North – England
Phone: +44 1344 486444
Fax: +44 1344 486555

Europe – Israel/Greece
Phone: +972 9 9524000
Fax: +972 9 9573732

Europe South – France
Phone: +33 1 41 44 36 51
Fax: +33 1 41 44 36 90

Europe Mediterranean – Italy
Phone: +39 02 93179911
Fax: +39 02 93179913

Europe – Sweden
Phone: +46 (0) 8 5091 4319
Fax: +46 (0) 8 590 041 10

Europe – Finland
Phone: +358 (0) 9 85 666 435
Fax: +358 (0) 9 85 666 220

Asia – Pacific

Taiwan
Phone: (886-2) 2-720-0282
Fax: (886-2) 2-757-6760

Australia
Phone: (61-2) 9869 4088
Fax: (61-2) 9869 4077

China – Central
Phone: 86-21-6361-2515
Fax: 86-21-6361-2516

China – South
Phone: (852) 2 827-0181
Fax: (852) 2 827-6488

China – South (Satellite)
Phone: (86) 755-5182495

China – North
Phone: (86-10) 8529-9777
Fax: (86-10) 8529-9778

India
Phone: (91-11) 692-4789
Fax: (91-11) 692-4712

Korea
Phone: (82-2) 565-2880
Fax: (82-2) 565-1440

Korea (Satellite)
Phone: (82-53) 745-2880
Fax: (82-53) 745-1440

Singapore
Phone: (65) 737 7355
Fax: (65) 737 9077

Japan
Phone: (81-3) 5371 1520
Fax: (81-3) 5371 1501