

February 1996

8-Bit 40 MSPS YC 2-Channel D/A Converter

Features

- Resolution 8-Bit
- Maximum Conversion Speed 40 MSPS
- YC 2-Channel Input/Output
- Differential Linearity Error ± 0.3 LSB
- Low Power Consumption 160mW
(200 Ω Load for 2V_{p-p} Output)
- Power Supply +5V Single
- Low Glitch Noise

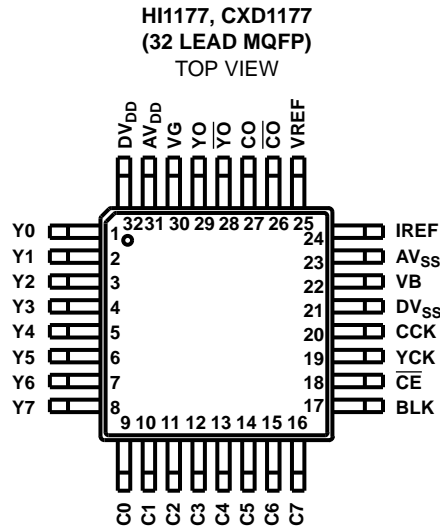
Description

The HI1177, CXD1177 is an 8-bit high-speed D/A converter for video band use. It has an input/output equivalent to 2-channels of Y and C. This is suitable for use in digital TV, graphic display and others.

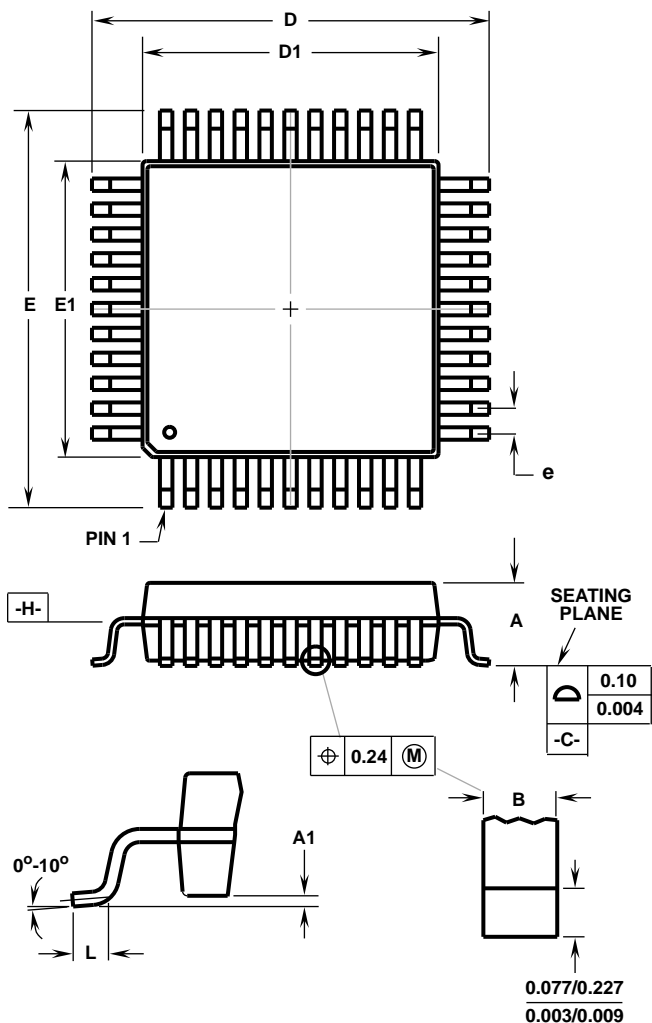
Ordering Information

PART NUMBER	TEMPERATURE RANGE	PACKAGE
HI1177JCQ, CXD1177Q	-20°C to +75°C	32 Lead Metric Plastic Quad Flatpack

Pinout



Metric Plastic Quad Flatpack Packages (MQFP)



Q32.7x7-S
32 LEAD METRIC PLASTIC QUAD FLATPACK PACKAGE

SYMBOL	INCHES		MILLIMETERS		NOTES
	MIN	MAX	MIN	MAX	
A	0.054	0.072	1.35	1.85	-
A1	0.000	0.011	0.00	0.30	-
B	0.008	0.017	0.20	0.45	5
D	0.347	0.362	8.80	9.20	2
D1	0.272	0.287	6.90	7.30	3, 4
E	0.347	0.362	8.80	9.20	2
E1	0.272	0.287	6.90	7.30	3, 4
L	0.012	0.027	0.30	0.70	-
N	32		32		6
e	0.032 BSC		0.80 BSC		-

Rev. 2 4/95

NOTES:

1. Controlling dimension: MILLIMETER. Converted inch dimensions are not necessarily exact.
2. Dimensions D and E to be determined at seating plane -C-.
3. Dimensions D1 and E1 to be determined at datum plane -H-.
4. Dimensions D1 and E1 do not include mold protrusion.
5. Dimension B does not include dambar protrusion.
6. "N" is the number of terminal positions.

All Harris Semiconductor products are manufactured, assembled and tested under **ISO9000** quality systems certification.

Harris Semiconductor products are sold by description only. Harris Semiconductor reserves the right to make changes in circuit design and/or specifications at any time without notice. Accordingly, the reader is cautioned to verify that data sheets are current before placing orders. Information furnished by Harris is believed to be accurate and reliable. However, no responsibility is assumed by Harris or its subsidiaries for its use; nor for any infringements of patents or other rights of third parties which may result from its use. No license is granted by implication or otherwise under any patent or patent rights of Harris or its subsidiaries.

Sales Office Headquarters

For general information regarding Harris Semiconductor and its products, call **1-800-4-HARRIS**

NORTH AMERICA
Harris Semiconductor
P. O. Box 883, Mail Stop 53-210
Melbourne, FL 32902
TEL: 1-800-442-7747
(407) 729-4984
FAX: (407) 729-5321

EUROPE
Harris Semiconductor
Mercure Center
100, Rue de la Fusee
1130 Brussels, Belgium
TEL: (32) 2.724.2111
FAX: (32) 2.724.22.05

ASIA
Harris Semiconductor PTE Ltd.
No. 1 Tannery Road
Cencon 1, #09-01
Singapore 1334
TEL: (65) 748-4200
FAX: (65) 748-0400

