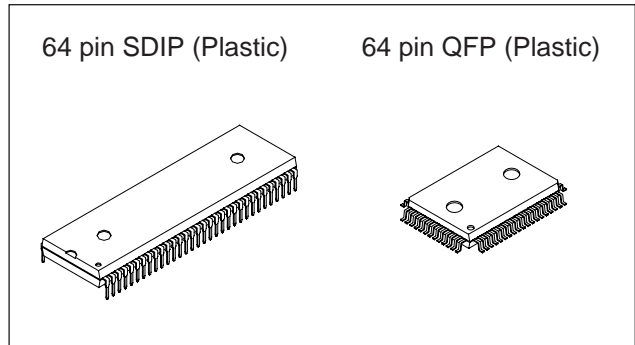


### CMOS 8-bit Single-chip Microcomputer

#### Description

The CXP85112B/85116B, CXP85220A/85224A/85228A/85232A is a CMOS 8-bit single chip microcomputer integrating on a single chip an A/D converter, serial interface, timer/counter, time base timer, vector interruption, on-screen display function, I<sup>2</sup>C bus interface, PWM generator, remote control reception circuit, HSYNC counter, power source frequency counter and watch dog timer besides the basic configurations of 8-bit CPU, ROM, RAM, and I/O port.

The CXP85112B/85116B, CXP85220A/85224A/85228A/85232A also provides a power-on reset function and a sleep function that enables lower power consumption.



#### Structure

Silicon gate CMOS IC

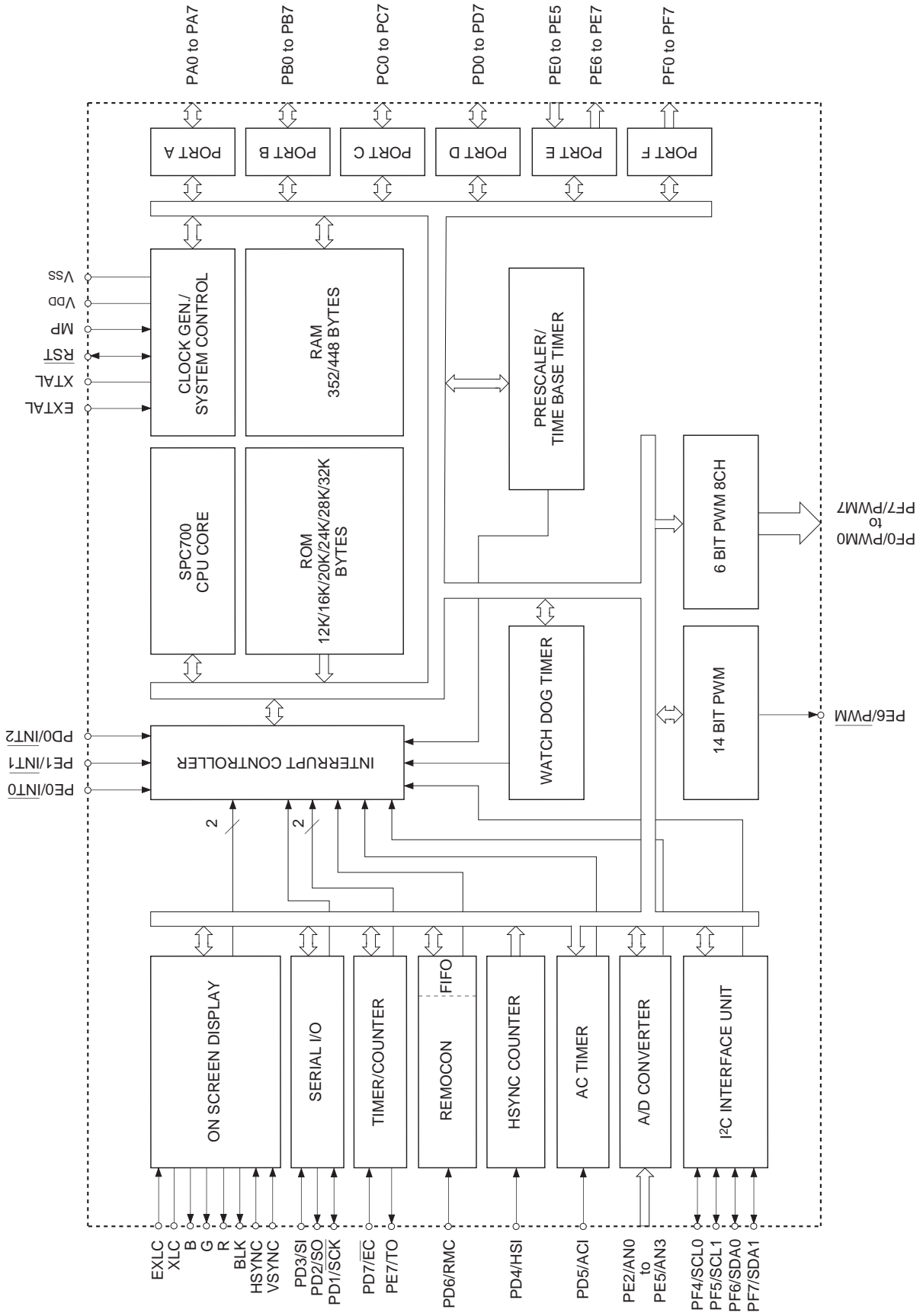
#### Features

- Wide-range instruction system (213 instructions) to cover various types of data
  - 16-bit arithmetic/multiplication and division/boolean bit operation instructions
- Minimum instruction cycle                    1μs at 4MHz operation
- Incorporated ROM capacity                    12K bytes (CXP85112B)  
 16K bytes (CXP85116B)  
 20K bytes (CXP85220A)  
 24K bytes (CXP85224A)  
 28K bytes (CXP85228A)  
 32K bytes (CXP85232A)
- Incorporated RAM capacity                    352 bytes (CXP85112B/85116B)  
 448 bytes (CXP85220A/85224A/85228A/85232A)
- Peripheral functions
  - On-screen display function                12 × 16 dots, 128 types  
 21 words × 4 lines (more than 4 lines possible)  
 Double scan mode compatible, jitter elimination circuit
  - I<sup>2</sup>C bus interface
  - PWM output                                    14 bits, 1 channel  
 6 bits, 8 channels
  - Remote control reception circuit        8-bit pulse measurement counter with on-chip 6-stage FIFO
  - A/D converter                                 4 bits, 4channels, successive approximation method  
 (Conversion time of 40μs/4MHz)
  - HSYNC counter
  - Power supply frequency counter
  - Watch dog timer
  - Serial I/O                                      8-bit clock synchronization
  - Timer    8-bit timer, 8-bit timer/counter, 19-bit time base timer
- Interruption                                      14 factors, 14 vectors, multi-interruption possible
- Standby mode                                    Sleep
- Package    64-pin plastic SDIP/QFP
- Piggyback/evaluation chip                    CXP85100A, CXP85190 (Custom font compatible)  
 CXP85200A, CXP85290 (Custom font compatible)

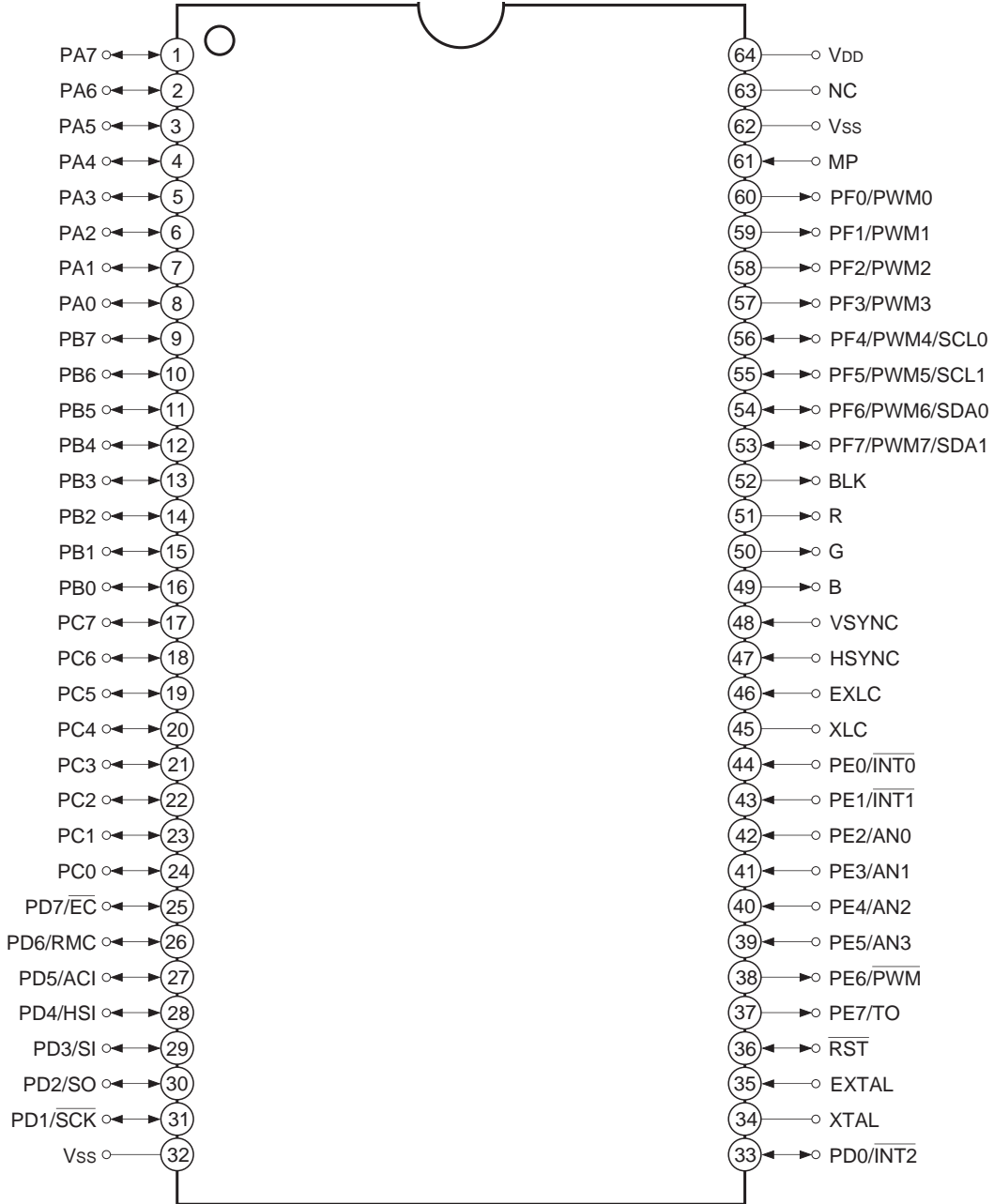
Purchase of Sony's I<sup>2</sup>C components conveys a license under the Philips I<sup>2</sup>C Patent Rights to use these components in an I<sup>2</sup>C system, provided that the system conforms to the I<sup>2</sup>C Standard Specifications as defined by Philips.

Sony reserves the right to change products and specifications without prior notice. This information does not convey any license by any implication or otherwise under any patents or other right. Application circuits shown, if any, are typical examples illustrating the operation of the devices. Sony cannot assume responsibility for any problems arising out of the use of these circuits.

Block Diagram

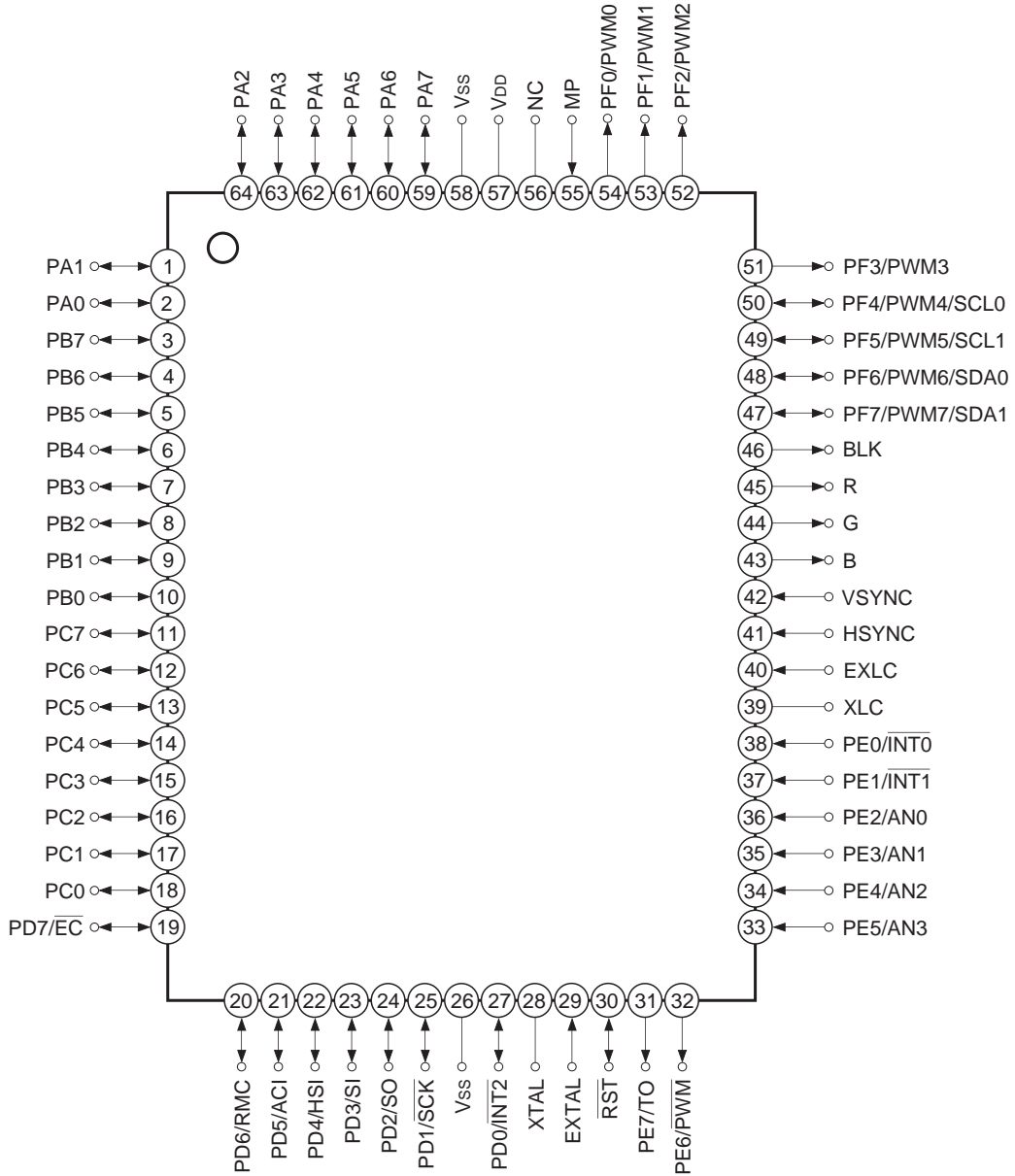


Pin Assignment 1 (Top View) 64 pin SDIP Package



- Note)**
1. NC (Pin 63) must be connected to VDD.
  2. Vss for both Pins 32 and 62 must be grounded.
  3. MP (Pin 61) must be connected to GND.

Pin Assignment 2 (Top View) 64 pin QFP Package



- Note)**
1. NC (Pin 56) must be connected to VDD.
  2. Vss for both Pins 26 and 58 must be grounded.
  3. MP (Pin 55) must be connected to GND.

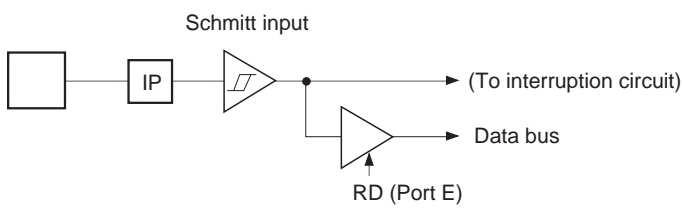
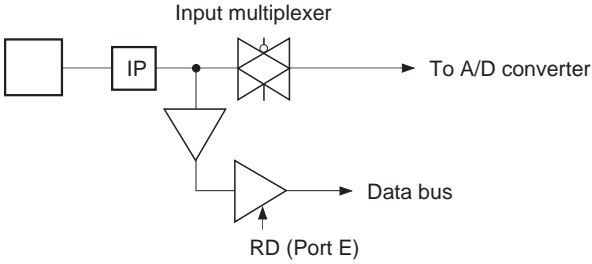
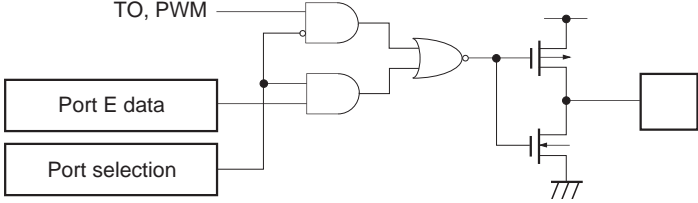
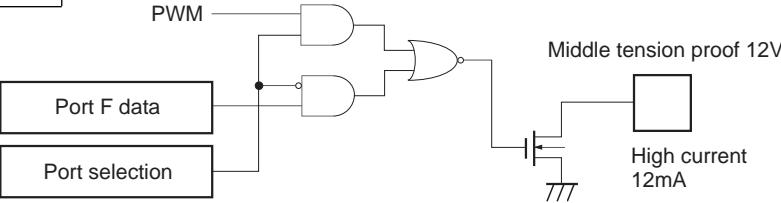
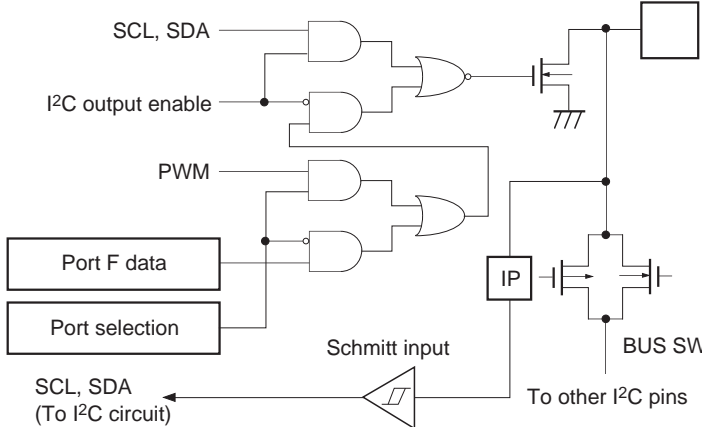
Pin Description

Symbol	I/O	Description	
PA0 to PA7	I/O	(Port A) 8-bit I/O port. I/O can be set in a unit of single bits. (8 pins)	
PB0 to PB7	I/O	(Port B) 8-bit I/O port. I/O can be set in a unit of single bits. (8 pins)	
PC0 to PC7	I/O	(Port C) 8-bit I/O port. I/O can be set in a unit of single bits. (8 pins)	
PD0/ $\overline{\text{INT2}}$	I/O/Input	(Port D) 8-bit I/O port. I/O can be set in a unit of single bits. Capable of driving 12mA sink current. (8 pins)	External interruption request input. Active at falling edge.
PD1/ $\overline{\text{SCK}}$	I/O/I/O		Serial clock I/O.
PD2/SO	I/O/Output		Serial data output.
PD3/SI	I/O/Input		Serial data input.
PD4/HSI	I/O/Input		HSYNC counter input.
PD5/ACI	I/O/Input		Input for power supply frequency counter.
PD6/RMC	I/O/Input		Input for remote control reception circuit.
PD7/ $\overline{\text{EC}}$	I/O/Input		External event input for timer/counter.
PE0/ $\overline{\text{INT0}}$ PE1/ $\overline{\text{INT1}}$	Input/Input	(Port E) 8-bit port. Lower 6 bits are for inputs; upper 2 bits are for outputs.	External interruption request inputs. Active at falling edge. (2 pins)
PE2/AN0 to PE5/AN3	Input/Input		Analog inputs for A/D converter. (4 pins)
PE6/ $\overline{\text{PWM}}$	Output/Output		14-bit PWM output. (CMOS output)
PE7/TO	Output/Output		Rectangular waveform output for Timer 1. (Duty output 50%)
PF0/PWM0 to PF3/PWM3	Output/Output	(Port F) 8-bit output port, operating as N-ch open drain output for high current (12mA). Lower 4 bits are medium voltage drive outputs (12V), upper 4 bits are 5V drive outputs. (8 pins)	6-bit PWM outputs. (8 pins)
PF4/PWM4/ SCL0 PF5/PWM5/ SCL1	Output/Output/ I/O		Transfer clock I/Os for I <sup>2</sup> C bus interface.
PF6/PWM6/ SDA0 PF7/PWM7/ SDA1	Output/Output/ I/O		Transfer data I/Os for I <sup>2</sup> C data bus.
R, G, B, BLK	Output	4-bit outputs for CRT display.	
HSYNC	Input	Horizontal synchronizing signal input for CRT display.	
VSYNC	Input	Vertical synchronizing signal input for CRT display.	

Symbol	I/O	Description
EXLC	Input	Clock oscillation I/Os for CRT display. Oscillation frequency is set using the external L and C.
XLC	Output	
EXTAL	Input	Crystal connectors for system clock oscillation. When the clock is supplied externally, input to EXTAL; opposite phase clock should be input to XTAL.
XTAL	Output	
$\overline{\text{RST}}$	I/O	Low-level active, system reset. $\overline{\text{RST}}$ is an I/O, from which Low level is output when the built-in power-on reset function is activated at the rise of power on. (Mask option)
MP	Input	Microprocessor mode input. For this device, this pin must be grounded.
V <sub>DD</sub>		V <sub>CC</sub> supply.
V <sub>SS</sub>		GND. Both V <sub>SS</sub> must be grounded.

Input/Output Circuit Formats for Pins

Pin	Circuit format	When reset
<p>PA0 to PA7 PB0 to PB7 PC0 to PC7</p> <p>24 pins</p>	<p>Port A Port B Port C</p> <p>Data bus</p> <p>RD (Ports A, B, and C)</p> <p>IP Input protection circuit</p>	<p>Hi-Z</p>
<p>PD0/<math>\overline{\text{INT2}}</math> PD3/SI PD4/HSI PD5/ACI PD6/RMC PD7/<math>\overline{\text{EC}}</math></p> <p>6 pins</p>	<p>Port D</p> <p>Data bus</p> <p>RD (Port D)</p> <p><math>\overline{\text{INT2}}</math>, SI, HSI, ACI, RMC, <math>\overline{\text{EC}}</math></p> <p>Schmitt input</p> <p>High current 12mA</p> <p>IP</p>	<p>Hi-Z</p>
<p>PD1/<math>\overline{\text{SCK}}</math> PD2/SO</p> <p>2 pins</p>	<p>Port D</p> <p><math>\overline{\text{SCK}}</math> or SO</p> <p>Output enable</p> <p>Data bus</p> <p>RD (Port D)</p> <p><math>\overline{\text{SCK}}</math> only</p> <p>Schmitt input</p> <p>High current 12mA</p> <p>IP</p>	<p>Hi-Z</p>

Pin	Circuit format	When reset
PE0/ $\overline{\text{INT0}}$ PE1/ $\overline{\text{INT1}}$ 2 pins	Port E 	Hi-Z
PE2/AN0 to PE5/AN3 4 pins	Port E 	Hi-Z
PE6/ $\overline{\text{PWM}}$ PE7/ $\overline{\text{TO}}$ 2 pins	Port E 	High level
PF0/ $\overline{\text{PWM0}}$ to PF3/ $\overline{\text{PWM3}}$ 4 pins	Port F 	Hi-Z
PF4/ $\overline{\text{PWM4}}$ / SCL0 PF5/ $\overline{\text{PWM5}}$ / SCL1 PF6/ $\overline{\text{PWM6}}$ / SDA0 PF7/ $\overline{\text{PWM7}}$ / SDA1 4 pins	Port F 	Hi-Z



Pin	Circuit format	When reset
<p>BLK R G B</p> <p>4 pins</p>	<p>Output polarity</p> <p>Hi-Z → output active by writing into the output polarity register.</p>	<p>Hi-Z</p>
<p>HSYNC VSYNC</p> <p>2 pins</p>	<p>Schmitt input</p> <p>Input polarity</p> <p>HSYNC VSYNC</p>	<p>Hi-Z</p>
<p>EXLC XLC</p> <p>2 pins</p>	<p>Oscillation control</p> <p>CRT display clock</p>	<p>Oscillation terminated</p>
<p>EXTAL XTAL</p> <p>2 pins</p>	<ul style="list-style-type: none"> <li>• Diagram shows circuit composition during oscillation.</li> <li>• Feedback resistor is removed during stop.</li> </ul>	<p>Oscillation</p>
<p><math>\overline{\text{RST}}</math></p> <p>1 pin</p>	<p>Pull-up resistance</p> <p>Mask option</p> <p>Schmitt input</p> <p>From power-on reset circuit (Mask option)</p>	<p>Low level</p>
<p>MP</p> <p>1 pin</p>	<p>CPU mode</p>	<p>Hi-Z</p>

**Absolute Maximum Ratings**

(V<sub>SS</sub> = 0V reference)

Item	Symbol	Rating	Unit	Remarks
Supply voltage	V <sub>DD</sub>	-0.3 to +7.0	V	
Input voltage	V <sub>IN</sub>	-0.3 to +7.0* <sup>1</sup>	V	
Output voltage	V <sub>OUT</sub>	-0.3 to +7.0* <sup>1</sup>	V	
Medium voltage drive output voltage	V <sub>OUTP</sub>	-0.3 to +15.0	V	Pins PF0 to PF3
High level output current	I <sub>OH</sub>	-5	mA	
High level total output current	∑I <sub>OH</sub>	-50	mA	Total for all output pins
Low level output current	I <sub>OL</sub>	15	mA	Excludes high current outputs
	I <sub>OLC</sub>	20	mA	High current outputs* <sup>2</sup>
Low level total output current	∑I <sub>OL</sub>	130	mA	Total for all output pins
Operating temperature	T <sub>opr</sub>	-20 to +75	°C	
Storage temperature	T <sub>stg</sub>	-55 to +150	°C	
Allowable power dissipation	P <sub>D</sub>	1000	mW	SDIP
		600	mW	QFP

\*<sup>1</sup> V<sub>IN</sub> and V<sub>OUT</sub> must not exceed V<sub>DD</sub> + 0.3V.

\*<sup>2</sup> The high current operation transistor is the N-ch transistor of PD and PF0 to PF3.

**Note)** Usage exceeding absolute maximum ratings may permanently impair the LSI. Normal operation should be conducted under the recommended operating conditions.

Exceeding these conditions may adversely affect the reliability of the LSI.

**Recommended Operating Conditions**

(V<sub>SS</sub> = 0V reference)

Item	Symbol	Min.	Max.	Unit	Remarks
Supply voltage	V <sub>DD</sub>	4.5	5.5	V	Guaranteed operation range
		3.5	5.5	V	Low-speed mode guaranteed operation range* <sup>1</sup>
		2.5	5.5	V	Guaranteed data hold range during stop
High level input voltage	V <sub>IH</sub>	0.7V <sub>DD</sub>	V <sub>DD</sub>	V	Includes I <sup>2</sup> C Schmitt input* <sup>2</sup>
	V <sub>IHS</sub>	0.8V <sub>DD</sub>	V <sub>DD</sub>	V	CMOS Schmitt input* <sup>3</sup>
	V <sub>IHEX</sub>	V <sub>DD</sub> - 0.4	V <sub>DD</sub> + 0.3	V	EXTAL* <sup>4</sup>
Low level input voltage	V <sub>IL</sub>	0	0.3V <sub>DD</sub>	V	Includes I <sup>2</sup> C Schmitt input* <sup>2</sup>
	V <sub>ILS</sub>	0	0.2V <sub>DD</sub>	V	CMOS Schmitt input* <sup>3</sup>
	V <sub>ILEX</sub>	-0.3	0.4	V	EXTAL* <sup>4</sup>
Operating temperature	T <sub>opr</sub>	-20	+75	°C	

\*<sup>1</sup> Specifies only for 1/16 frequency demultiplication mode and sleep mode.

\*<sup>2</sup> Value for each pin of normal input ports (PA, PB, PC, PE2 to PE5), PF4 to PF7, and MP.

\*<sup>3</sup> Value of the following pins: PD0/ $\overline{\text{INT2}}$ , PD1/ $\overline{\text{SCK}}$ , PD2, PD3/SI, PD4/HSI, PD5/ACI, PD6/RMC, PD7/ $\overline{\text{EC}}$ , PE0/ $\overline{\text{INT0}}$ , PE1/ $\overline{\text{INT1}}$ , HSYNC, VSYNC,  $\overline{\text{RST}}$ .

\*<sup>4</sup> Specifies only during external clock input.

Electrical Characteristics

DC Characteristics

(Ta = -20 to +75°C, Vss = 0V reference)

Item	Symbol	Pins	Conditions	Min.	Typ.	Max.	Unit	
High level output current	V <sub>OH</sub>	PA to PD, PE6, PE7, R, G, B, BLK	V <sub>DD</sub> = 4.5V, I <sub>OH</sub> = -0.5mA	4.0			V	
			V <sub>DD</sub> = 4.5V, I <sub>OH</sub> = -1.2mA	3.5			V	
Low level output current	V <sub>OL</sub>	PA to PD, PE6, PE7, R, G, B, BLK, PF0 to PF3, $\overline{\text{RST}}$ *1	V <sub>DD</sub> = 4.5V, I <sub>OL</sub> = 1.8mA			0.4	V	
			V <sub>DD</sub> = 4.5V, I <sub>OL</sub> = 3.6mA			0.6	V	
		PD, PF0 to PF3	V <sub>DD</sub> = 4.5V, I <sub>OL</sub> = 12.0mA			1.5	V	
		PF4 to PF7 (SCL0, SCL1, SDA0, SDA1)	V <sub>DD</sub> = 4.5V, I <sub>OL</sub> = 3.0mA			0.4	V	
			V <sub>DD</sub> = 4.5V, I <sub>OL</sub> = 4.0mA			0.6	V	
Input current	I <sub>IHE</sub>	EXTAL	V <sub>DD</sub> = 5.5V, V <sub>IH</sub> = 5.5V	0.5		40	μA	
	I <sub>IHL</sub>		V <sub>DD</sub> = 5.5V, V <sub>IL</sub> = 0.4V	-0.5		-40	μA	
	I <sub>ILR</sub>		$\overline{\text{RST}}$ *2	V <sub>DD</sub> = 5.5V, V <sub>IL</sub> = 0.4V	-1.5		-400	μA
I/O leakage current	I <sub>Iz</sub>	PA to PE, HSYNC, VSYNC, R, G, B, BLK, $\overline{\text{RST}}$ *2, MP	V <sub>DD</sub> = 5.5V V <sub>I</sub> = 0, 5.5V			±10	μA	
Open drain output leakage current (N-ch Tr in off state)	I <sub>LOH</sub>	PF0 to PF3	V <sub>DD</sub> = 5.5V, V <sub>OH</sub> = 12.0V			50	μA	
		PF4 to PF7	V <sub>DD</sub> = 5.5V, V <sub>OH</sub> = 5.5V			10	μA	
Impedance connected to I <sup>2</sup> C bus switch (output Tr in off state)	R <sub>BS</sub>	SCL0: SCL1 SDA0: SDA1	V <sub>DD</sub> = 4.5V V <sub>SCL0</sub> = V <sub>SCL1</sub> = 2.25V V <sub>SDA0</sub> = V <sub>SDA1</sub> = 2.25V			120	Ω	
Power supply current	I <sub>DD</sub>	V <sub>DD</sub> *3	Operation mode*3 (1/2 frequency demultiplier clock) 4MHz crystal oscillation (C <sub>1</sub> = C <sub>2</sub> = 22pF) All outputs open		8	20	mA	
	I <sub>DDSL</sub>			Sleep mode		0.5	2	mA
	I <sub>DDST</sub>			Stop mode*4	—	—	—	μA
Input capacity	C <sub>IN</sub>	Pins other than V <sub>DD</sub> and V <sub>SS</sub>	Clock 1MHz 0V for all pins excluding		10	20	pF	

\*1  $\overline{\text{RST}}$  specifies only when the power-on reset circuit has been selected through mask option.

\*2  $\overline{\text{RST}}$  specifies input current when the pull-up resistance has been selected; leakage current when no resistance has been selected.

\*3 Specifies only when the oscillation of OSD has been terminated.

\*4 This device does not enter the stop mode.

AC Characteristics

(1) Clock timing

(Ta = -20 to +75°C, VDD = 4.5 to 5.5V, VSS = 0V reference)

Item	Symbol	Pins	Conditions	Min.	Max.	Unit
System clock frequency	fc	XTAL EXTAL	Fig. 1, Fig. 2	3.5	4.5	MHz
System clock input pulse width	tXL, tXH	EXTAL	Fig. 1, Fig. 2 External clock drive	100		ns
System clock input rise time, fall time	tCR, tCF	EXTAL	Fig. 1, Fig. 2 External clock drive		200	ns
Event clock input clock pulse width	tEH, tEL	$\overline{EC}$	Fig. 3	tsys + 50*1		ns
Event count input clock rise time, fall time	tER, tEF	$\overline{EC}$	Fig. 3		20	ms

\*1 tsys indicates the three values below according to the upper two bits (CPU clock selection) of the clock control register (address: 00FEH).

tsys [ns] = 2000/fc (upper two bits = "00"), 4000/fc (upper two bits = "01"), 16000/fc (upper two bits = "11")

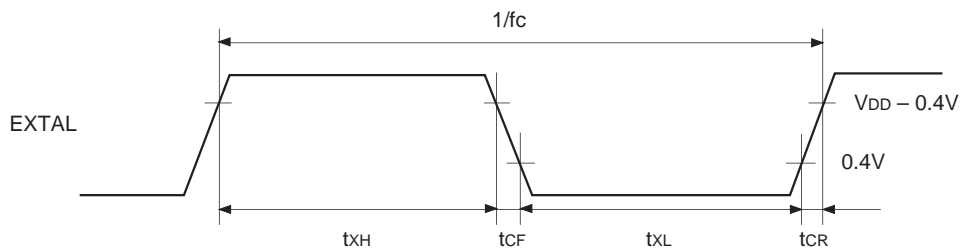


Fig. 1. Clock timing

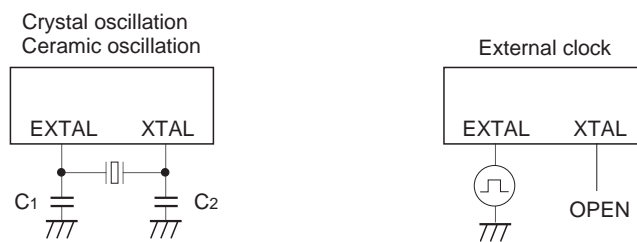


Fig. 2. Clock applying condition

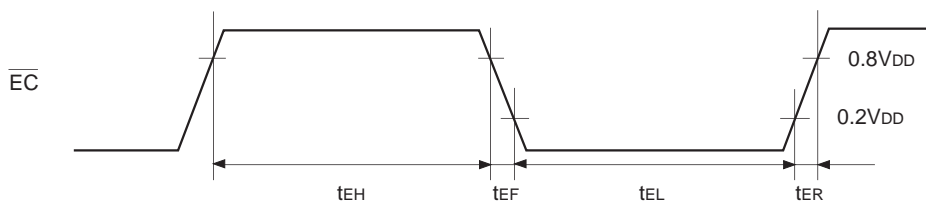


Fig. 3. Event count clock timing

(2) Serial transfer

( $T_a = -20$  to  $+75^\circ\text{C}$ ,  $V_{DD} = 4.5$  to  $5.5\text{V}$ ,  $V_{SS} = 0\text{V}$  reference)

Item	Symbol	Pins	Conditions	Min.	Max.	Unit
$\overline{\text{SCK}}$ cycle time	$t_{\text{KCY}}$	$\overline{\text{SCK}}$	Input mode	1000		ns
			Output mode	$8000/f_c$		ns
$\overline{\text{SCK}}$ High and Low level widths	$t_{\text{KH}}$	$\overline{\text{SCK}}$	$\overline{\text{SCK}}$ input mode	400		ns
	$t_{\text{KL}}$		$\overline{\text{SCK}}$ output mode	$4000/f_c - 50$		ns
SI input setup time (for $\overline{\text{SCK}} \uparrow$ )	$t_{\text{SIK}}$	SI	$\overline{\text{SCK}}$ input mode	100		ns
			$\overline{\text{SCK}}$ output mode	200		ns
SI input hold time (for $\overline{\text{SCK}} \uparrow$ )	$t_{\text{KSI}}$	SI	$\overline{\text{SCK}}$ input mode	200		ns
			$\overline{\text{SCK}}$ output mode	100		ns
$\overline{\text{SCK}} \downarrow \rightarrow \text{SO}$ delay time	$t_{\text{KSO}}$	SO	$\overline{\text{SCK}}$ input mode		200	ns
			$\overline{\text{SCK}}$ output mode		100	ns

**Note)** The load condition for the  $\overline{\text{SCK}}$  output mode, SO output delay time is  $50\text{pF} + 1\text{TTL}$ .

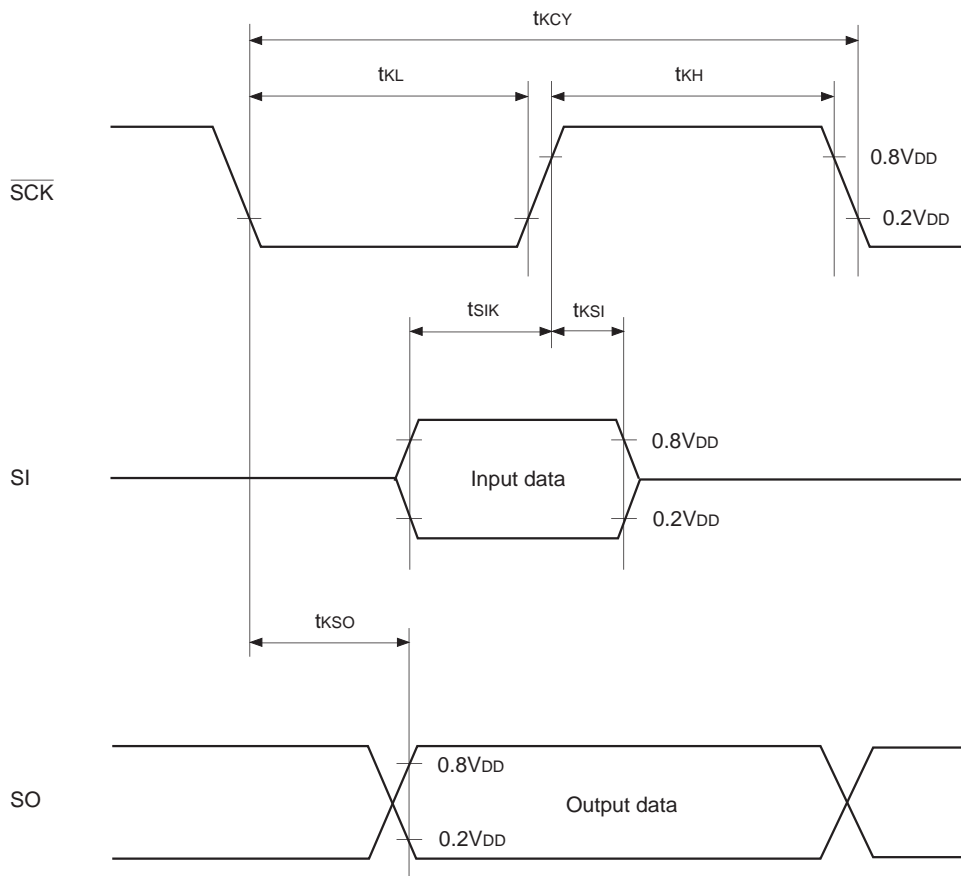
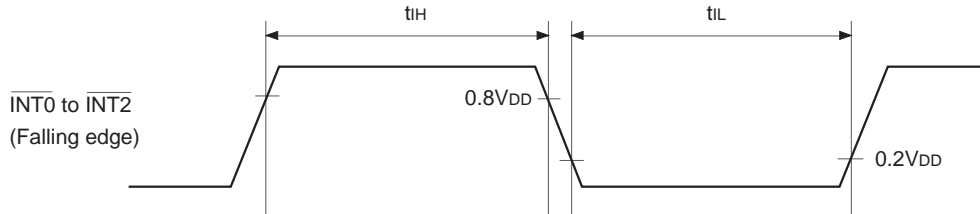


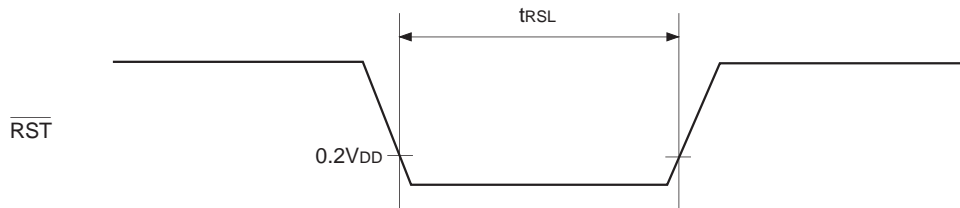
Fig. 4. Serial transfer timing

**(3) Interruption, reset input** ( $T_a = -20$  to  $+75^\circ\text{C}$ ,  $V_{DD} = 4.5$  to  $5.5\text{V}$ ,  $V_{SS} = 0\text{V}$  reference)

Item	Symbol	Pins	Conditions	Min.	Max.	Unit
External interruption High and Low level widths	$t_{IH}$ $t_{IL}$	$\overline{\text{INT0}}$ to $\overline{\text{INT2}}$		1		$\mu\text{s}$
Reset input Low level width	$t_{RSL}$	$\overline{\text{RST}}$		$8/f_c$		$\mu\text{s}$



**Fig. 5. Interruption input timing**



**Fig. 6.  $\overline{\text{RST}}$  input timing**

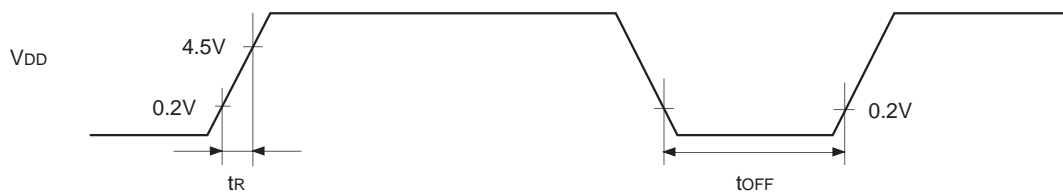
**(4) Power on reset**

Power on reset\*

( $T_a = -20$  to  $+75^\circ\text{C}$ ,  $V_{DD} = 4.5$  to  $5.5\text{V}$ ,  $V_{SS} = 0\text{V}$  reference)

Item	Symbol	Pins	Conditions	Min.	Max.	Unit
Power supply rise time	$t_R$	$V_{DD}$	Power-on reset	0.05	50	ms
Power supply cut-off time	$t_{OFF}$		Repetitive power-on reset	1		ms

\* Specifies only when the power-on reset function has been selected.



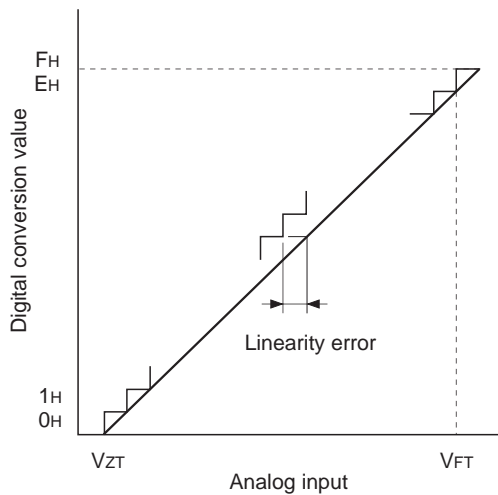
The power supply should be raised smoothly.

**Fig. 7. Power-on reset**

(5) A/D converter characteristics

(Ta = -20 to +75°C, VDD = 4.5 to 5.5V, Vss = 0V reference)

Item	Symbol	Pin	Condition	Min.	Typ.	Max.	Unit
Resolution						4	Bits
Linearity error			Ta = 25°C VDD = 5.0V Vss = 0V			±1	LSB
Zero transition voltage	VZT*1			-10	160	320	mV
Full-scale transition voltage	VFT*2			4370	4530	4690	mV
Conversion time	tCONV			160/fc			µs
Sampling time	tSAMP			12/fc			µs
Analog input voltage	VIAN	AN0 to AN3		0		VDD	V



\*1 VZT: Value at which the digital conversion value changes from 0H to 1H and vice versa.

\*2 VFT: Value at which the digital conversion value changes from EH to FH and vice versa.

Fig. 8. Definition of A/D converter terms

**Note)** The 4-bit conversion specifies values based on the upper 5 bits of the A/D data register (ADD: Address 00F5H), compensated into 4-bit data. A program example is shown below:

(A/D converter program example)

```

MOV    A, ADD    ; ACC ← conversion data
LSR    A        ; Shift to the right (4 times)
LSR    A        ;
LSR    A        ;
LSR    A        ;
ADC    A, #00H  ; Addition with carry (data increment if AD3 = 1)
CMP    A, #10H  ;
BNE    ADC_SKIP ;
MOV    A, #0FH  ;
    
```

ADC\_SKIP:

(6) I<sup>2</sup>C bus timing

(T<sub>a</sub> = -20 to +75°C, V<sub>DD</sub> = 4.5 to 5.5V, V<sub>SS</sub> = 0V reference)

Item	Symbol	Pins	Conditions	Min.	Max.	Unit
SCL clock frequency	f <sub>SCL</sub>	SCL		0	100	kHz
Bus free time prior to transfer start	t <sub>BUF</sub>	SDA, SCL		4.7		μs
Transfer start hold time	t <sub>HD; STA</sub>	SDA, SCL		4.0		μs
Clock Low level width	t <sub>LOW</sub>	SCL		4.7		μs
Clock High level width	t <sub>HIGH</sub>	SCL		4.0		μs
Setup time during repetitive transfer	t <sub>SU; STA</sub>	SDA, SCL		4.7		μs
Data hold time	t <sub>HD; DAT</sub>	SDA, SCL		0*1		μs
Data setup time	t <sub>SU; DAT</sub>	SDA, SCL		250		ns
SDA, SCL rise time	t <sub>R</sub>	SDA, SCL			1	μs
SDA, SCL fall time	t <sub>F</sub>	SDA, SCL			300	ns
Transfer end setup time	t <sub>SU; STO</sub>	SDA, SCL		4.7		μs

\*1 The data hold time does not take into consideration SCL rise time (300ns max.). Ensure that the data hold time exceeds 300ns.

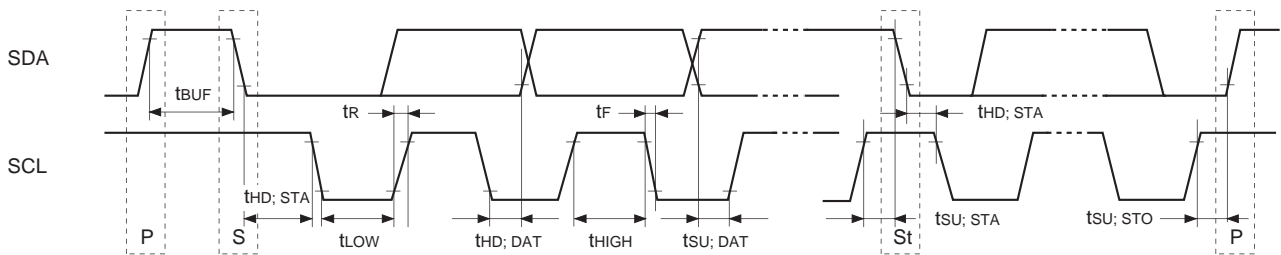


Fig. 9. I<sup>2</sup>C bus transfer timing

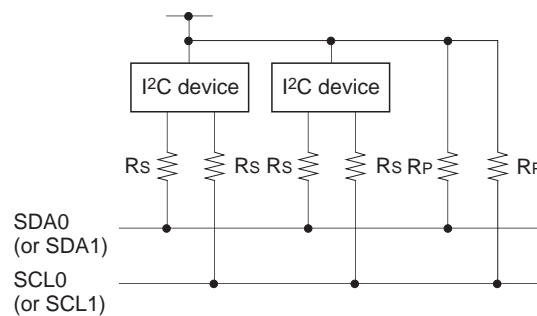


Fig. 10. Recommended circuit example for I<sup>2</sup>C device

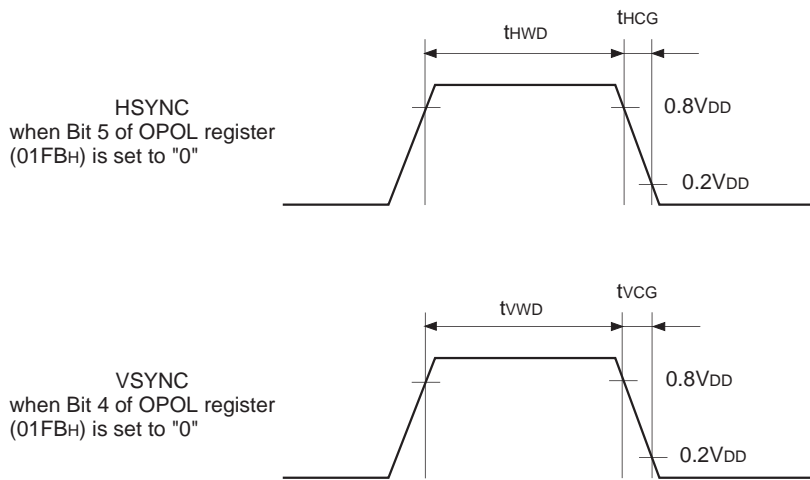
- Pull-up resistors (R<sub>p</sub>) must be connected to SDA0 (or SDA1) and SCL0 (or SCL1).
- Serial resistance (R<sub>s</sub> = 300Ω and under) of SDA0 (or SDA1) and SCL0 (or SCL1) reduces spike noise caused by CRT flashover.



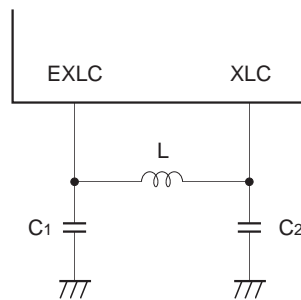
**(7) OSD (On-Screen Display) timing** ( $T_a = -20$  to  $+75^\circ\text{C}$ ,  $V_{DD} = 4.5$  to  $5.5\text{V}$ ,  $V_{SS} = 0\text{V}$  reference)

Item	Symbol	Pins	Condition	Min.	Max.	Unit
OSD clock frequency	$f_{OSC}$	EXLC XLC	Fig. 12	4	13	MHz
HSYNC pulse width	$t_{HWD}$	HSYNC	Fig. 11	1.2		$\mu\text{s}$
VSYNC pulse width	$t_{VWD}$	VSYNC	Fig. 11	1.0		H*
HSYNC after-edge rise time/fall time	$t_{HCG}$	HSYNC	Fig. 11		200	ns
VSYNC after-edge rise time/fall time	$t_{VCG}$	VSYNC	Fig. 11		1.0	$\mu\text{s}$

\* H indicates 1HSYNC period.



**Fig. 11. OSC timing**



**Fig. 12. LC oscillation circuit example**

Supplement



Fig. 13. Recommended Oscillation circuit

Manufacturer	Model	fc (MHz)	C1 (pF)	C2 (pF)	Rd (Ω)	Circuit example
MURATA MFG CO., LTD.	CSA4.00MG	4.00	30	30	0	(i)
	CSA4.19MG	4.19				
	CST4.00MGW*	4.00				(ii)
	CST4.19MGW*	4.19				
RIVER ELETEC CORPORATION	HC-49/U03	4.00	10	10	0	(i)
		4.19				
KINSEKI LTD.	HC-49/U (-S)	4.00	18	18	0	
		4.19				

\* Indicates types with on-chip grounding capacitance (C1 and C2).

Mask option table

Item	Content	
Reset pin pull-up resistance	Non-existent	Existent
Power-on reset circuit	Non-existent	Existent

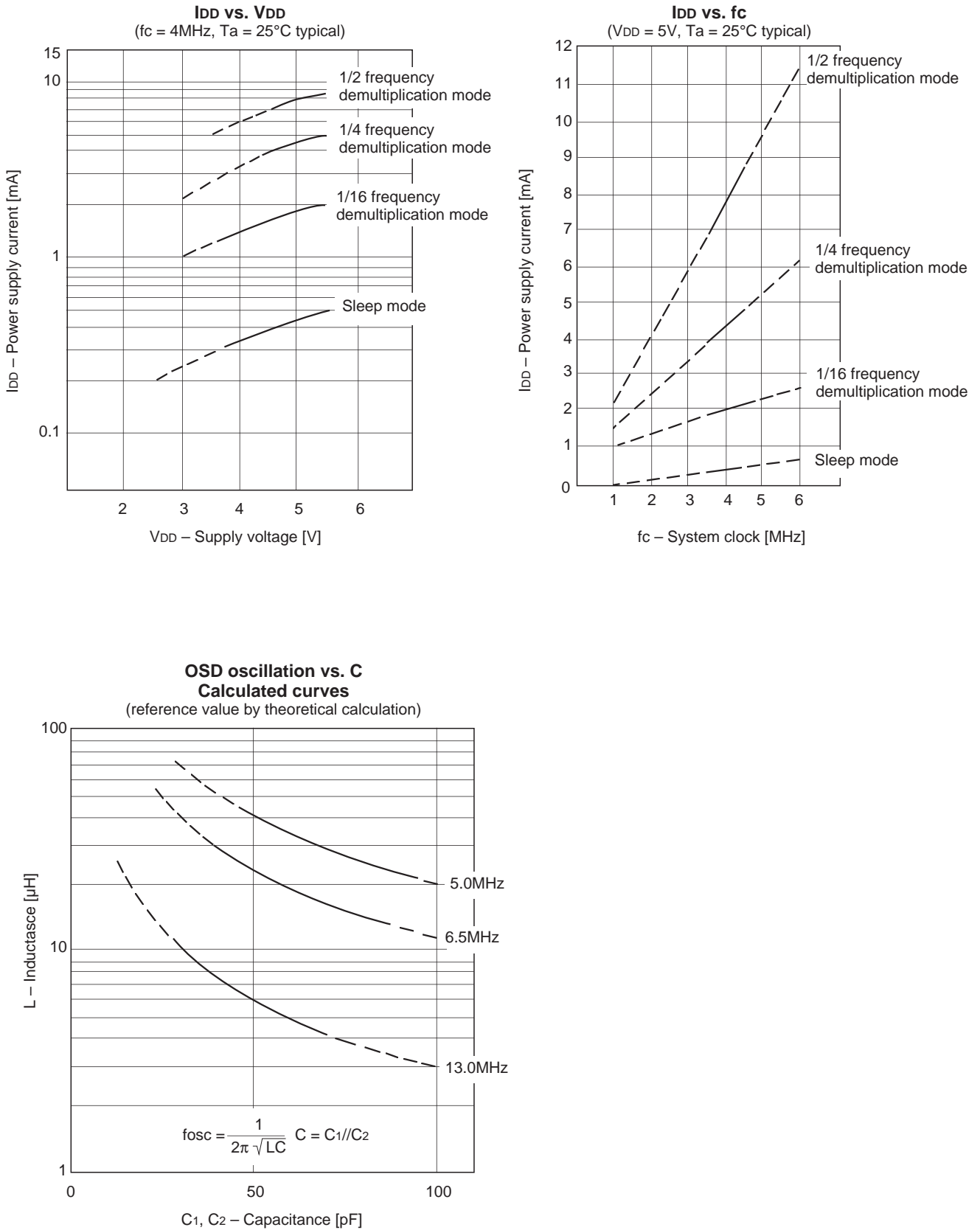
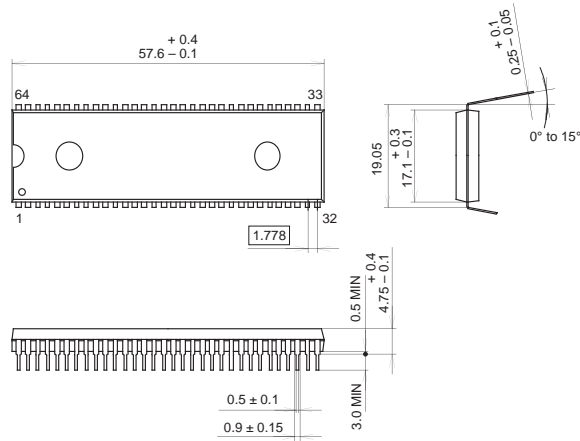


Fig. 14. Characteristics curves

Package Outline

Unit: mm

64PIN SDIP (PLASTIC)

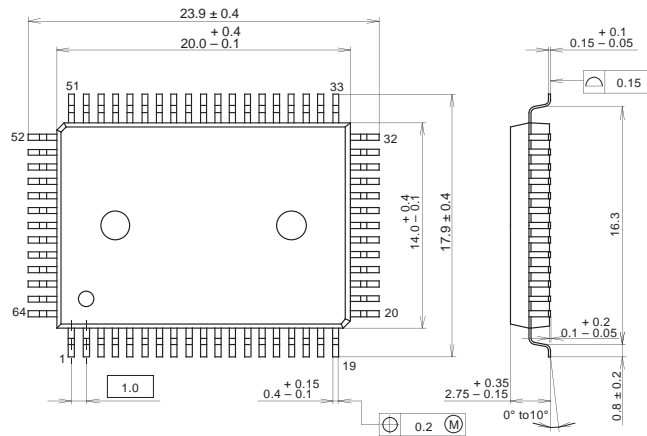


PACKAGE STRUCTURE

SONY CODE	SDIP-64P-01
EIAJ CODE	SDIP064-P-0750
JEDEC CODE	_____

PACKAGE MATERIAL	EPOXY RESIN
LEAD TREATMENT	SOLDER PLATING
LEAD MATERIAL	42 ALLOY
PACKAGE MASS	8.6g

64PIN QFP(PLASTIC)



PACKAGE STRUCTURE

SONY CODE	QFP-64P-L01
EIAJ CODE	QFP064-P-1420
JEDEC CODE	_____

PACKAGE MATERIAL	EPOXY RESIN
LEAD TREATMENT	SOLDER/PALLADIUM PLATING
LEAD MATERIAL	42/COPPER ALLOY
PACKAGE MASS	1.5g