

4-Mbit (256K x 18) Flow-through SRAM with NoBL™ Architecture

Features

- Supports up to 133-MHz bus operations with zero wait states
 - Data is transferred on every clock
- Pin compatible and functionally equivalent to ZBT™ devices
- Internally self timed output buffer control to eliminate the need to use \overline{OE}
- Registered inputs for flow-through operation
- Byte Write capability
- 256K x 18 common IO architecture
- 2.5V/3.3V IO power supply (V_{DDQ})
- Fast clock-to-output times
 - 6.5 ns (for 133-MHz device)
- Clock Enable (\overline{CEN}) pin to suspend operation
- Synchronous self timed writes
- Asynchronous Output Enable
- Available in Pb-free 100-Pin TQFP package
- Burst Capability — linear or interleaved burst order
- Low standby power

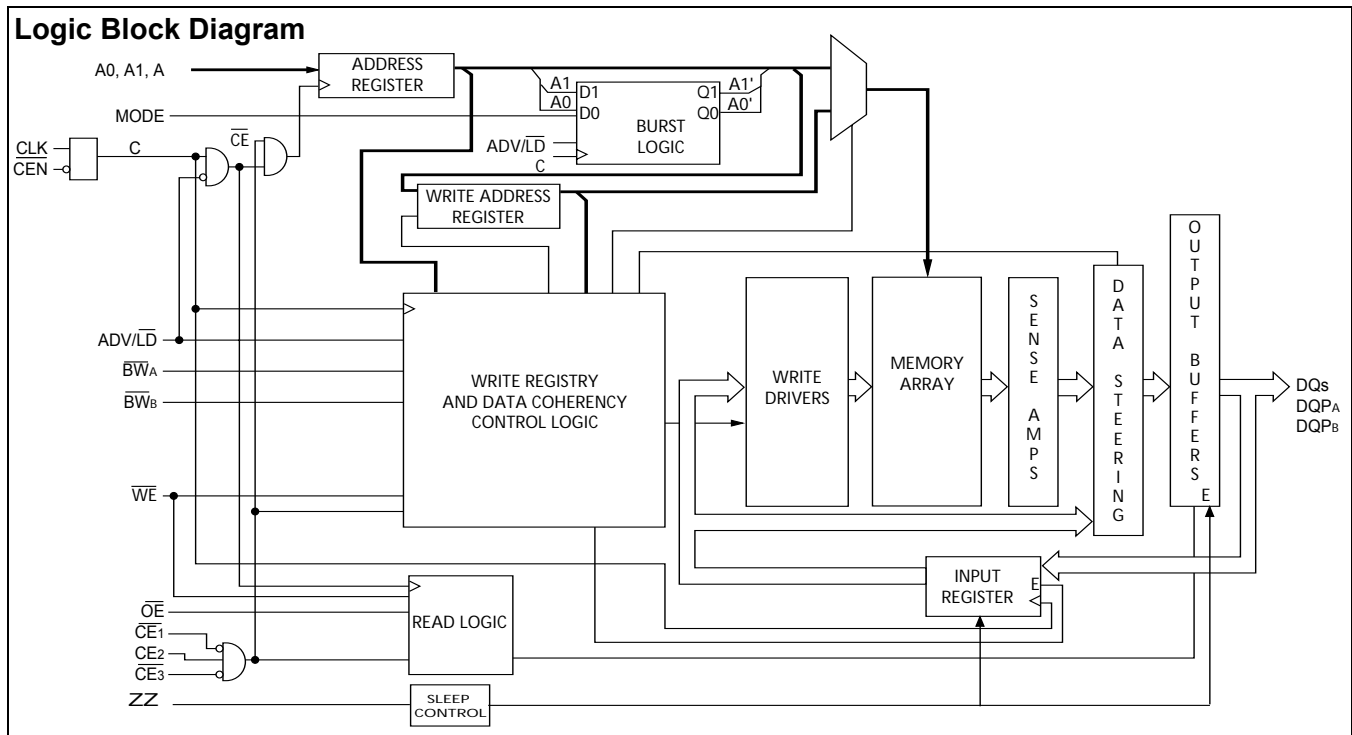
Functional Description^[1]

The CY7C1353G is a 3.3V, 256K x 18 Synchronous Flow-through Burst SRAM designed specifically to support unlimited true back-to-back Read/Write operations without the insertion of wait states. The CY7C1353G is equipped with the advanced No Bus Latency™ (NoBL™) logic required to enable consecutive Read/Write operations with data being transferred on every clock cycle. This feature dramatically improves the throughput of data through the SRAM, especially in systems that require frequent Write-Read transitions.

All synchronous inputs pass through input registers controlled by the rising edge of the clock. The clock input is qualified by the Clock Enable (\overline{CEN}) signal, which when deasserted suspends operation and extends the previous clock cycle. Maximum access delay from the clock rise is 6.5 ns (133-MHz device).

Write operations are controlled by the two Byte Write Select ($BW_{[A:B]}$) and a Write Enable (\overline{WE}) input. All writes are conducted with on-chip synchronous self timed write circuitry.

Three synchronous Chip Enables ($\overline{CE}_1, \overline{CE}_2, \overline{CE}_3$) and an asynchronous Output Enable (\overline{OE}) provide for easy bank selection and output tri-state control. To avoid bus contention, the output drivers are synchronously tri-stated during the data portion of a write sequence.



Note:

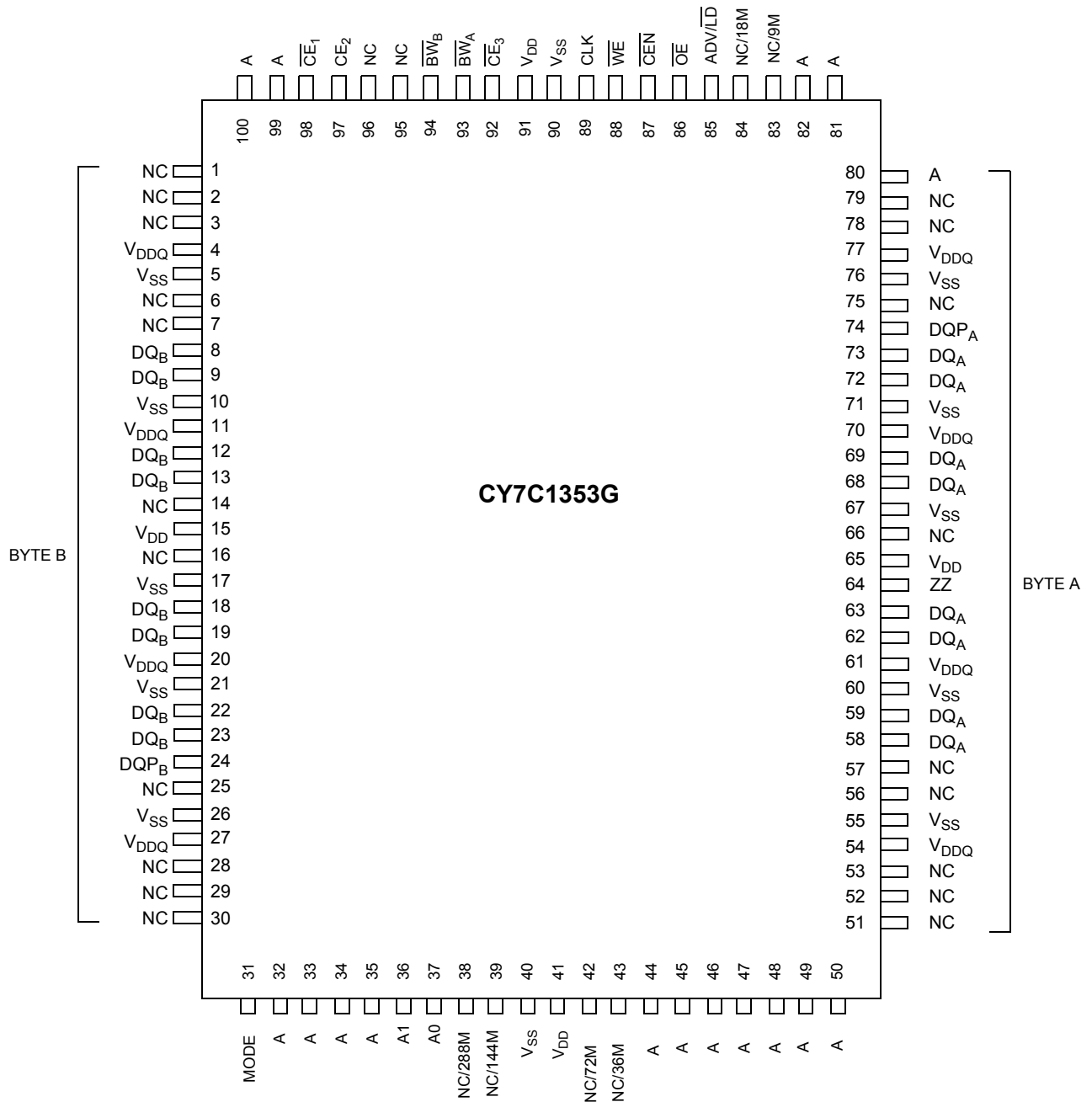
1. For best-practices recommendations, please refer to the Cypress application note *System Design Guidelines* on www.cypress.com.

Selection Guide

| | 133 MHz | 100 MHz | Unit |
|------------------------------|---------|---------|------|
| Maximum Access Time | 6.5 | 8.0 | ns |
| Maximum Operating Current | 225 | 205 | mA |
| Maximum CMOS Standby Current | 40 | 40 | mA |

Pin Configuration

100-Pin TQFP Pinout



Pin Definitions

| Name | IO | Description |
|--|--------------------|---|
| A ₀ , A ₁ , A | Input-Synchronous | Address Inputs used to select one of the 256K address locations. Sampled at the rising edge of the CLK. A _[1:0] are fed to the two-bit burst counter. |
| BW _[A:B] | Input-Synchronous | Byte Write Inputs, Active LOW. Qualified with \overline{WE} to conduct writes to the SRAM. Sampled on the rising edge of CLK. |
| \overline{WE} | Input-Synchronous | Write Enable Input, Active LOW. Sampled on the rising edge of CLK if \overline{CEN} is active LOW. This signal must be asserted LOW to initiate a write sequence. |
| ADV/LD | Input-Synchronous | Advance/Load Input. Used to advance the on-chip address counter or load a new address. When HIGH (and CEN is asserted LOW) the internal burst counter is advanced. When LOW, a new address can be loaded into the device for an access. After being deselected, ADV/LD must be driven LOW to load a new address. |
| CLK | Input-Clock | Clock Input. Used to capture all synchronous inputs to the device. CLK is qualified with \overline{CEN} . CLK is only recognized if \overline{CEN} is active LOW. |
| CE ₁ | Input-Synchronous | Chip Enable 1 Input, Active LOW. Sampled on the rising edge of CLK. Used in conjunction with CE ₂ , and CE ₃ to select/deselect the device. |
| CE ₂ | Input-Synchronous | Chip Enable 2 Input, Active HIGH. Sampled on the rising edge of CLK. Used in conjunction with CE ₁ and CE ₃ to select/deselect the device. |
| CE ₃ | Input-Synchronous | Chip Enable 3 Input, Active LOW. Sampled on the rising edge of CLK. Used in conjunction with CE ₁ and CE ₂ to select/deselect the device. |
| OE | Input-Asynchronous | Output Enable, asynchronous input, Active LOW. Combined with the synchronous logic block inside the device to control the direction of the IO pins. When LOW, the IO pins are allowed to behave as outputs. When deasserted HIGH, IO pins are tri-stated, and act as input data pins. OE is masked during the data portion of a write sequence, during the first clock when emerging from a deselected state, when the device has been deselected. |
| CEN | Input-Synchronous | Clock Enable Input, Active LOW. When asserted LOW the Clock signal is recognized by the SRAM. When deasserted HIGH the Clock signal is masked. While deasserting \overline{CEN} does not deselect the device, CEN can be used to extend the previous cycle when required. |
| ZZ | Input-Asynchronous | ZZ "sleep" Input. This active HIGH input places the device in a non-time critical "sleep" condition with data integrity preserved. During normal operation, this pin has to be low or left floating. ZZ pin has an internal pull down. |
| DQ _s | IO-Synchronous | Bidirectional Data IO Lines. As inputs, they feed into an on-chip data register that is triggered by the rising edge of CLK. As outputs, they deliver the data contained in the memory location specified by address during the clock rise of the read cycle. The direction of the pins is controlled by OE and the internal control logic. When \overline{OE} is asserted LOW, the pins can behave as outputs. When HIGH, DQ _s and DQP _[A:B] are placed in a tri-state condition. The outputs are automatically tri-stated during the data portion of a write sequence, during the first clock when emerging from a deselected state, and when the device is deselected, regardless of the state of \overline{OE} . |
| DQP _[A:B] | IO-Synchronous | Bidirectional Data Parity IO Lines. Functionally, these signals are identical to DQ _s . During write sequences, DQP _[A:B] is controlled by BW _x correspondingly. |
| MODE | Input Strap Pin | MODE Input. Selects the burst order of the device. When tied to Gnd selects linear burst sequence. When tied to V _{DD} or left floating selects interleaved burst sequence. |
| V _{DD} | Power Supply | Power supply inputs to the core of the device. |
| V _{DDQ} | IO Power Supply | Power supply for the IO circuitry. |
| V _{SS} | Ground | Ground for the device. |
| NC, NC/9M, NC/18M, NC/36M, NC/72M, NC/144M, NC/288M, | – | No Connects. Not internally connected to the die. NC/9M, NC/18M, NC/72M, NC/144M, NC/288M, are address expansion pins are not internally connected to the die. |

Functional Overview

The CY7C1353G is a synchronous flow-through burst SRAM designed specifically to eliminate wait states during Write-Read transitions. All synchronous inputs pass through input registers controlled by the rising edge of the clock. The clock signal is qualified with the Clock Enable input signal (CEN). If CEN is HIGH, the clock signal is not recognized and all internal states are maintained. All synchronous operations are qualified with \overline{CEN} . Maximum access delay from the clock rise (t_{CDV}) is 6.5 ns (133-MHz device).

Accesses can be initiated by asserting all three Chip Enables (\overline{CE}_1 , \overline{CE}_2 , \overline{CE}_3) active at the rising edge of the clock. If Clock Enable (CEN) is active LOW and ADV/LD is asserted LOW, the address presented to the device is latched. The access can either be a read or write operation, depending on the status of the Write Enable (WE). $BW_{[A:B]}$ can be used to conduct byte write operations.

Write operations are qualified by the Write Enable (\overline{WE}). All writes are simplified with on-chip synchronous self timed write circuitry.

Three synchronous Chip Enables (\overline{CE}_1 , \overline{CE}_2 , \overline{CE}_3) and an asynchronous Output Enable (OE) simplify depth expansion. All operations (Reads, Writes, and Deselects) are pipe lined. ADV/LD must be driven LOW after the device has been deselected to load a new address for the next operation.

Single Read Accesses

A read access is initiated when the following conditions are satisfied at clock rise: (1) CEN is asserted LOW, (2) \overline{CE}_1 , \overline{CE}_2 , and \overline{CE}_3 are ALL asserted active, (3) the Write Enable input signal \overline{WE} is deasserted HIGH, and 4) ADV/LD is asserted LOW. The address presented to the address inputs is latched into the Address Register and presented to the memory array and control logic. The control logic determines that a read access is in progress and allows the requested data to propagate to the output buffers. The data is available within 6.5 ns (133-MHz device) provided OE is active LOW. After the first clock of the read access, the output buffers are controlled by OE and the internal control logic. OE must be driven LOW in order for the device to drive out the requested data. On the subsequent clock, another operation (Read/Write/Deselect) can be initiated. When the SRAM is deselected at clock rise by one of the chip enable signals, its output is tri-stated immediately.

Burst Read Accesses

The CY7C1353G has an on-chip burst counter that allows the user the ability to supply a single address and conduct up to four Reads without reasserting the address inputs. ADV/LD must be driven LOW to load a new address into the SRAM, as described in the Single Read Access section. The sequence of the burst counter is determined by the MODE input signal. A LOW input on MODE selects a linear burst mode, a HIGH selects an interleaved burst sequence. Both burst counters use A0 and A1 in the burst sequence, and wraps around when incremented sufficiently. A HIGH input on ADV/LD increments the internal burst counter regardless of the state of chip enable inputs or WE. WE is latched at the beginning of a burst cycle.

Therefore, the type of access (Read or Write) is maintained throughout the burst sequence.

Single Write Accesses

Write access are initiated when these conditions are satisfied at clock rise:

- \overline{CEN} is asserted LOW
- \overline{CE}_1 , \overline{CE}_2 , and \overline{CE}_3 are ALL asserted active
- The write signal \overline{WE} is asserted LOW.

The address presented to the address bus is loaded into the Address Register. The write signals are latched into the Control Logic block. The data lines are automatically tri-stated regardless of the state of the OE input signal. This allows the external logic to present the data on DQs and $DQP_{[A:B]}$.

On the next clock rise the data presented to DQs and $DQP_{[A:B]}$ (or a subset for byte write operations, see truth table for details) inputs is latched into the device and the write is complete. Additional accesses (Read/Write/Deselect) can be initiated on this cycle.

The data written during the Write operation is controlled by $BW_{[A:B]}$ signals. The CY7C1353G provides byte write capability that is described in the truth table. Asserting the Write Enable input (WE) with the selected Byte Write Select input selectively writes to only the desired bytes. Bytes not selected during a byte write operation remains unaltered. A synchronous self timed write mechanism has been provided to simplify the write operations. Byte write capability has been included to greatly simplify Read/Modify/Write sequences, which can be reduced to simple byte write operations.

Because the CY7C1353G is a common IO device, data must not be driven into the device while the outputs are active. The Output Enable (OE) can be deasserted HIGH before presenting data to the DQs and $DQP_{[A:B]}$ inputs. Doing so tri-states the output drivers. As a safety precaution, DQs and $DQP_{[A:B]}$ are automatically tri-stated during the data portion of a write cycle, regardless of the state of OE.

Burst Write Accesses

The CY7C1353G has an on-chip burst counter that allows the user the ability to supply a single address and conduct up to four Write operations without reasserting the address inputs. ADV/LD must be driven LOW to load the initial address, as described in the Single Write Access section. When ADV/LD is driven HIGH on the subsequent clock rise, the Chip Enables (\overline{CE}_1 , \overline{CE}_2 , and \overline{CE}_3) and WE inputs are ignored and the burst counter is incremented. The correct $BW_{[A:B]}$ inputs must be driven in each cycle of the burst write, to write the correct bytes of data.

Sleep Mode

The ZZ input pin is an asynchronous input. Asserting ZZ places the SRAM in a power conservation "sleep" mode. Two clock cycles are required to enter into or exit from this "sleep" mode. While in this mode, data integrity is guaranteed. Accesses pending when entering the "sleep" mode are not considered valid nor is the completion of the operation guaranteed. The device must be deselected prior to entering the "sleep" mode. \overline{CE}_1 , \overline{CE}_2 , and \overline{CE}_3 , must remain inactive for the duration of t_{ZZREC} after the ZZ input returns LOW.

Linear Burst Address Table (MODE = GND)

| First Address A1, A0 | Second Address A1, A0 | Third Address A1, A0 | Fourth Address A1, A0 |
|----------------------|-----------------------|----------------------|-----------------------|
| 00 | 01 | 10 | 11 |
| 01 | 10 | 11 | 00 |
| 10 | 11 | 00 | 01 |
| 11 | 00 | 01 | 10 |

Interleaved Burst Address Table (MODE = Floating or V_{DD})

| First Address A1, A0 | Second Address A1, A0 | Third Address A1, A0 | Fourth Address A1, A0 |
|----------------------|-----------------------|----------------------|-----------------------|
| 00 | 01 | 10 | 11 |
| 01 | 00 | 11 | 10 |
| 10 | 11 | 00 | 01 |
| 11 | 10 | 01 | 00 |

ZZ Mode Electrical Characteristics

| Parameter | Description | Test Conditions | Min | Max | Unit |
|--------------------|-----------------------------------|-----------------------------|-------------------|-------------------|------|
| I _{DDZZ} | Sleep mode standby current | ZZ ≥ V _{DD} - 0.2V | | 40 | mA |
| t _{ZZS} | Device operation to ZZ | ZZ ≥ V _{DD} - 0.2V | | 2t _{CYC} | ns |
| t _{ZZREC} | ZZ recovery time | ZZ ≤ 0.2V | 2t _{CYC} | | ns |
| t _{ZZI} | ZZ active to sleep current | This parameter is sampled | | 2t _{CYC} | ns |
| t _{RZZI} | ZZ inactive to exit sleep current | This parameter is sampled | 0 | | ns |

Truth Table [2, 3, 4, 5, 6, 7, 8]

| Operation | Address Used | \overline{CE}_1 | CE ₂ | \overline{CE}_3 | ZZ | ADV/LD | \overline{WE} | \overline{BW}_x | \overline{OE} | \overline{CEN} | CLK | DQ |
|-------------------------------|--------------|-------------------|-----------------|-------------------|----|--------|-----------------|-------------------|-----------------|------------------|------|--------------|
| Deselect Cycle | None | H | X | X | L | L | X | X | X | L | L->H | Tri-State |
| Deselect Cycle | None | X | X | H | L | L | X | X | X | L | L->H | Tri-State |
| Deselect Cycle | None | X | L | X | L | L | X | X | X | L | L->H | Tri-State |
| Continue Deselect Cycle | None | X | X | X | L | H | X | X | X | L | L->H | Tri-State |
| READ Cycle (Begin Burst) | External | L | H | L | L | L | H | X | L | L | L->H | Data Out (Q) |
| READ Cycle (Continue Burst) | Next | X | X | X | L | H | X | X | L | L | L->H | Data Out (Q) |
| NOP/DUMMY READ (Begin Burst) | External | L | H | L | L | L | H | X | H | L | L->H | Tri-State |
| DUMMY READ (Continue Burst) | Next | X | X | X | L | H | X | X | H | L | L->H | Tri-State |
| WRITE Cycle (Begin Burst) | External | L | H | L | L | L | L | L | X | L | L->H | Data In (D) |
| WRITE Cycle (Continue Burst) | Next | X | X | X | L | H | X | L | X | L | L->H | Data In (D) |
| NOP/WRITE ABORT (Begin Burst) | None | L | H | L | L | L | L | H | X | L | L->H | Tri-State |
| WRITE ABORT (Continue Burst) | Next | X | X | X | L | H | X | H | X | L | L->H | Tri-State |
| IGNORE CLOCK EDGE (Stall) | Current | X | X | X | L | X | X | X | X | H | L->H | - |
| SLEEP MODE | None | X | X | X | H | X | X | X | X | X | X | Tri-State |

Notes:

- X = "Don't Care." H = Logic HIGH, L = Logic LOW. $\overline{BW}_x = L$ signifies at least one Byte Write Select is active, $\overline{BW}_x = Valid$ signifies that the desired byte write selects are asserted, see truth table for details.
- Write is defined by \overline{BW}_x , and \overline{WE} . See truth table for Read/Write.
- When a write cycle is detected, all IOs are tri-stated, even during byte writes.
- The DQs and DQP_[A,B] pins are controlled by the current cycle and the \overline{OE} signal. \overline{OE} is asynchronous and is not sampled with the clock.
- $\overline{CEN} = H$, inserts wait states.
- Device powers up deselected and the IOs in a tri-state condition, regardless of \overline{OE} .
- \overline{OE} is asynchronous and is not sampled with the clock rise. It is masked internally during write cycles. During a read cycle DQs and DQP_[A,B] = tri-state when \overline{OE} is inactive or when the device is deselected, and DQs and DQP_[A,B] = data when \overline{OE} is active.

Partial Truth Table for Read/Write^[2, 3, 9]

| Function | \overline{WE} | \overline{BW}_A | \overline{BW}_B |
|--|-----------------|-------------------|-------------------|
| Read | H | X | X |
| Write – No bytes written | L | H | H |
| Write Byte A – (DQ _A and DQP _A) | L | L | H |
| Write Byte B – (DQ _B and DQP _B) | L | H | L |
| Write All Bytes | L | L | L |

Note:

9. Table only lists a partial listing of the byte write combinations. Any combination of BW[A:D] is valid. Appropriate write is based on which byte write is active.

Maximum Ratings

Exceeding maximum ratings may impair the useful life of the device. These user guidelines are not tested.

- Storage Temperature -65°C to +150°C
- Ambient Temperature with Power Applied..... -55°C to +125°C
- Supply Voltage on V_{DD} Relative to GND..... -0.5V to +4.6V
- Supply Voltage on V_{DDQ} Relative to GND -0.5V to +V_{DD}
- DC Voltage Applied to Outputs in tri-state -0.5V to V_{DDQ} + 0.5V

- DC Input Voltage -0.5V to V_{DD} + 0.5V
- Current into Outputs (LOW)..... 20 mA
- Static Discharge Voltage..... > 2001V (MIL-STD-883, Method 3015)
- Latch up Current..... > 200 mA

Operating Range

| Range | Ambient Temperature (T _A) | V _{DD} | V _{DDQ} |
|------------|---------------------------------------|-----------------|------------------------------|
| Commercial | 0°C to +70°C | 3.3V - 5%/+10% | 2.5V - 5% to V _{DD} |
| Industrial | -40°C to +85°C | | |

Electrical Characteristics Over the Operating Range^[10,11]

| Parameter | Description | Test Conditions | Min | Max | Unit |
|-------------------------|---|--|-----------------------|------------------------|------|
| V _{DD} | Power Supply Voltage | | 3.135 | 3.6 | V |
| V _{DDQ} | IO Supply Voltage | | 2.375 | V _{DD} | V |
| V _{OH} | Output HIGH Voltage | for 3.3V IO, I _{OH} = -4.0 mA | 2.4 | | V |
| | | for 2.5V IO, I _{OH} = -1.0 mA | 2.0 | | V |
| V _{OL} | Output LOW Voltage | for 3.3V IO, I _{OH} = 8.0 mA | | 0.4 | V |
| | | for 2.5V IO, I _{OH} = 1.0 mA | | 0.4 | V |
| V _{IH} | Input HIGH Voltage | for 3.3V IO | 2.0 | V _{DD} + 0.3V | V |
| | Input HIGH Voltage | for 2.5V IO | 1.7 | V _{DD} + 0.3V | V |
| V _{IL} | Input LOW Voltage ^[10] | for 3.3V IO | -0.3 | 0.8 | V |
| | Input LOW Voltage ^[10] | for 2.5V IO | -0.3 | 0.7 | V |
| I _X | Input Leakage Current except ZZ and MODE | GND ≤ V _I ≤ V _{DDQ} | -5 | 5 | μA |
| | Input Current of MODE | Input = V _{SS} | -30 | | μA |
| | | Input = V _{DD} | | 5 | μA |
| | Input Current of ZZ | Input = V _{SS} | -5 | | μA |
| Input = V _{DD} | | | 30 | μA | |
| I _{OZ} | Output Leakage Current | GND ≤ V _I ≤ V _{DDQ} , Output Disabled | -5 | 5 | μA |
| I _{DD} | V _{DD} Operating Supply Current | V _{DD} = Max., I _{OUT} = 0 mA, f = f _{MAX} = 1/t _{CYC} | 7.5-ns cycle, 133 MHz | 225 | mA |
| | | | 10-ns cycle, 100 MHz | 205 | mA |
| I _{SB1} | Automatic CE Power down Current—TTL Inputs | V _{DD} = Max, Device Deselected, V _{IN} ≥ V _{IH} or V _{IN} ≤ V _{IL} , f = f _{MAX} , inputs switching | 7.5-ns cycle, 133 MHz | 90 | mA |
| | | | 10-ns cycle, 100 MHz | 80 | mA |
| I _{SB2} | Automatic CE Power down Current—CMOS Inputs | V _{DD} = Max, Device Deselected, V _{IN} ≥ V _{DD} - 0.3V or V _{IN} ≤ 0.3V, f = 0, inputs static | | 40 | mA |
| I _{SB3} | Automatic CE Power down Current—CMOS Inputs | V _{DD} = Max, Device Deselected, V _{IN} ≥ V _{DDQ} - 0.3V or V _{IN} ≤ 0.3V, f = f _{MAX} , inputs switching | 7.5-ns cycle, 133 MHz | 75 | mA |
| | | | 10-ns cycle, 100 MHz | 65 | mA |
| I _{SB4} | Automatic CE Power down Current—TTL Inputs | V _{DD} = Max, Device Deselected, V _{IN} ≥ V _{DD} - 0.3V or V _{IN} ≤ 0.3V, f = 0, inputs static | | 45 | mA |

Notes:

- 10. Overshoot: V_{IH}(AC) < V_{DD} + 1.5V (Pulse width less than t_{CYC}/2), undershoot: V_{IL}(AC) > -2V (Pulse width less than t_{CYC}/2).
- 11. T_{Power-up}: Assumes a linear ramp from 0V to V_{DD} (min.) within 200 ms. During this time V_{IH} < V_{DD} and V_{DDQ} ≤ V_{DD}.

Capacitance^[12]

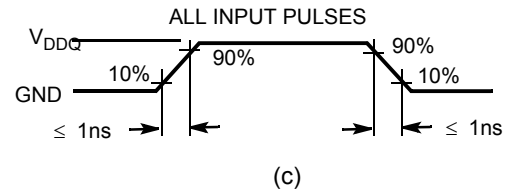
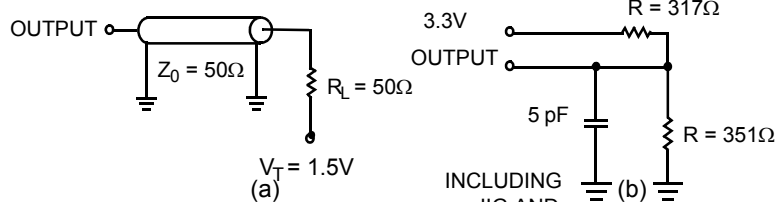
| Parameter | Description | Test Conditions | 100 TQFP Max | Unit |
|-------------|-------------------------|--|--------------|------|
| C_{IN} | Input Capacitance | $T_A = 25^\circ\text{C}$, $f = 1\text{ MHz}$, $V_{DD} = 3.3\text{V}$ $V_{DDQ} = 3.3\text{V}$ | 5 | pF |
| C_{CLOCK} | Clock Input Capacitance | | 5 | pF |
| C_{IO} | IO Capacitance | | 5 | pF |

Thermal Resistance^[12]

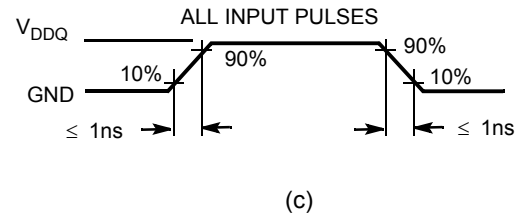
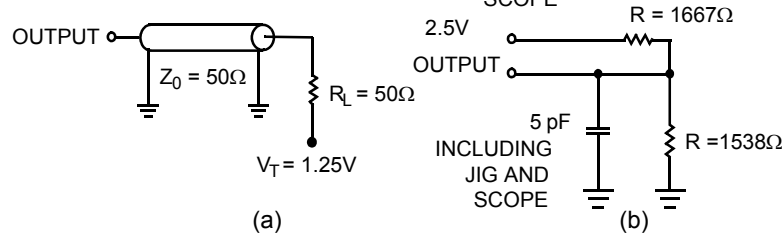
| Parameters | Description | Test Conditions | 100 TQFP Package | Unit |
|---------------|--|---|------------------|--------------------|
| Θ_{JA} | Thermal Resistance (Junction to Ambient) | Test conditions follow standard test methods and procedures for measuring thermal impedance, according to EIA/JESD51. | 30.32 | $^\circ\text{C/W}$ |
| Θ_{JC} | Thermal Resistance (Junction to Case) | | 6.85 | $^\circ\text{C/W}$ |

AC Test Loads and Waveforms

3.3V IO Test Load



2.5V IO Test Load



Note:
12. Tested initially and after any design or process changes that may affect these parameters.

Switching Characteristics Over the Operating Range [17, 18]

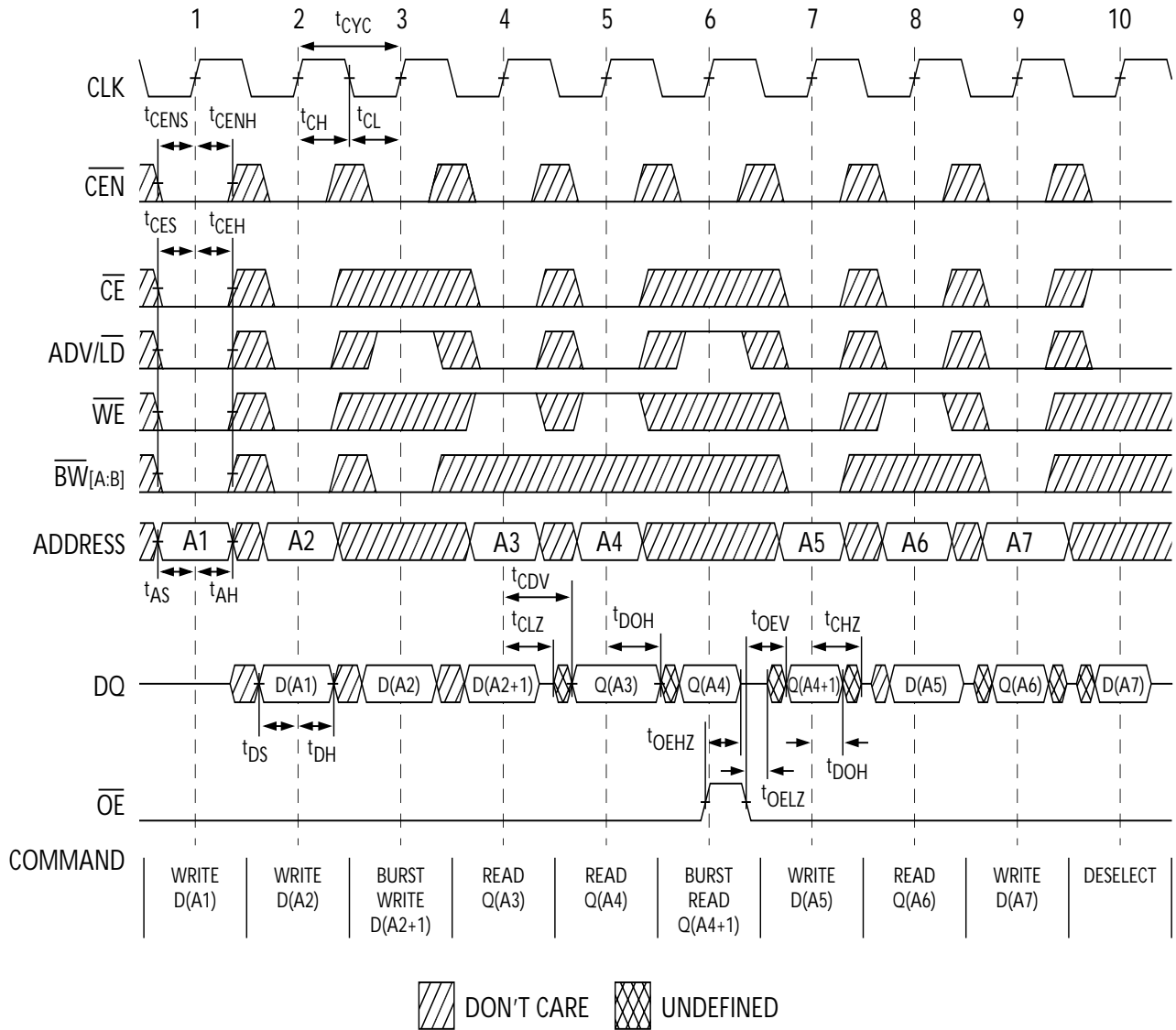
| Parameter | Description | -133 | | -100 | | Unit |
|---------------------|---|------|-----|------|-----|------|
| | | Min | Max | Min | Max | |
| t _{POWER} | V _{DD} (Typical) to the first Access ^[13] | 1 | | 1 | | ms |
| Clock | | | | | | |
| t _{CYC} | Clock Cycle Time | 7.5 | | 10 | | ns |
| t _{CH} | Clock HIGH | 2.5 | | 4.0 | | ns |
| t _{CL} | Clock LOW | 2.5 | | 4.0 | | ns |
| Output Times | | | | | | |
| t _{CDV} | Data Output Valid After CLK Rise | | 6.5 | | 8.0 | ns |
| t _{DOH} | Data Output Hold After CLK Rise | 2.0 | | 2.0 | | ns |
| t _{CLZ} | Clock to Low-Z ^[14, 15, 16] | 0 | | 0 | | ns |
| t _{CHZ} | Clock to High-Z ^[14, 15, 16] | | 3.5 | | 3.5 | ns |
| t _{OEV} | \overline{OE} LOW to Output Valid | | 3.5 | | 3.5 | ns |
| t _{OELZ} | \overline{OE} LOW to Output Low-Z ^[14, 15, 16] | 0 | | 0 | | ns |
| t _{OEHZ} | \overline{OE} HIGH to Output High-Z ^[14, 15, 16] | | 3.5 | | 3.5 | ns |
| Setup Times | | | | | | |
| t _{AS} | Address Setup Before CLK Rise | 1.5 | | 2.0 | | ns |
| t _{ALS} | ADV/LD Setup Before CLK Rise | 1.5 | | 2.0 | | ns |
| t _{WES} | \overline{WE} , \overline{BW}_X Setup Before CLK Rise | 1.5 | | 2.0 | | ns |
| t _{CENS} | \overline{CEN} Setup Before CLK Rise | 1.5 | | 2.0 | | ns |
| t _{DS} | Data Input Setup Before CLK Rise | 1.5 | | 2.0 | | ns |
| t _{CES} | Chip Enable Setup Before CLK Rise | 1.5 | | 2.0 | | ns |
| Hold Times | | | | | | |
| t _{AH} | Address Hold After CLK Rise | 0.5 | | 0.5 | | ns |
| t _{ALH} | ADV/LD Hold after CLK Rise | 0.5 | | 0.5 | | ns |
| t _{WEH} | \overline{WE} , \overline{BW}_X Hold After CLK Rise | 0.5 | | 0.5 | | ns |
| t _{CENH} | \overline{CEN} Hold After CLK Rise | 0.5 | | 0.5 | | ns |
| t _{DH} | Data Input Hold After CLK Rise | 0.5 | | 0.5 | | ns |
| t _{CEH} | Chip Enable Hold After CLK Rise | 0.5 | | 0.5 | | ns |

Notes:

13. This part has a voltage regulator internally; t_{POWER} is the time that the power needs to be supplied above V_{DD} minimum initially before a read or write operation can be initiated.
14. t_{CHZ}, t_{CLZ}, t_{OELZ}, and t_{OEHZ} are specified with AC test conditions shown in part (b) of AC Test Loads. Transition is measured ± 200 mV from steady-state voltage.
15. At any voltage and temperature, t_{OEHZ} is less than t_{OELZ} and t_{CHZ} is less than t_{CLZ} to eliminate bus contention between SRAMs when sharing the same data bus. These specifications do not imply a bus contention condition, but reflect parameters guaranteed over worst case user conditions. Device is designed to achieve tri-state prior to Low-Z under the same system conditions.
16. This parameter is sampled and not 100% tested.
17. Timing reference level is 1.5V when V_{DDQ}=3.3V and is 1.25V when V_{DDQ}=2.5V.
18. Test conditions shown in (a) of AC Test Loads, unless otherwise noted.

Switching Waveforms

Read/Write Waveforms^[19, 20, 21]

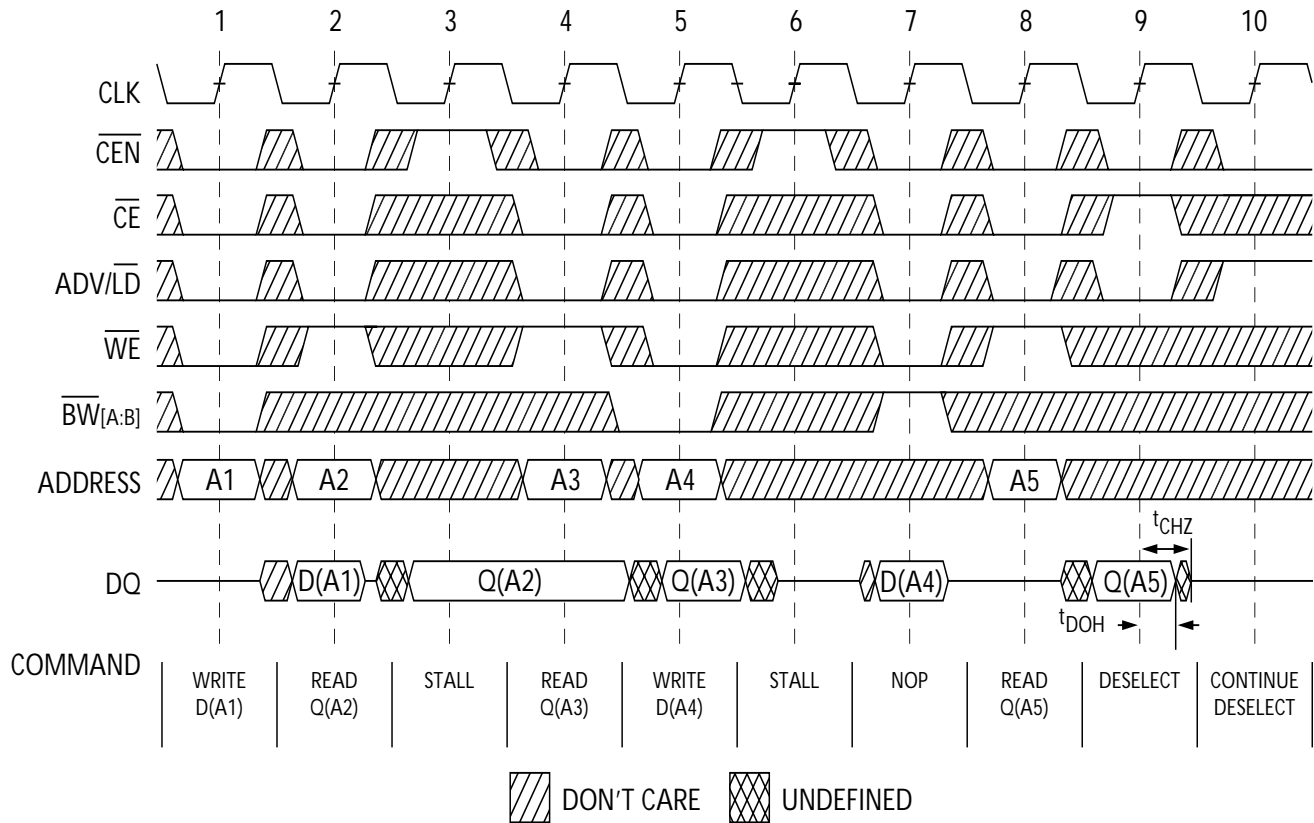


Notes:

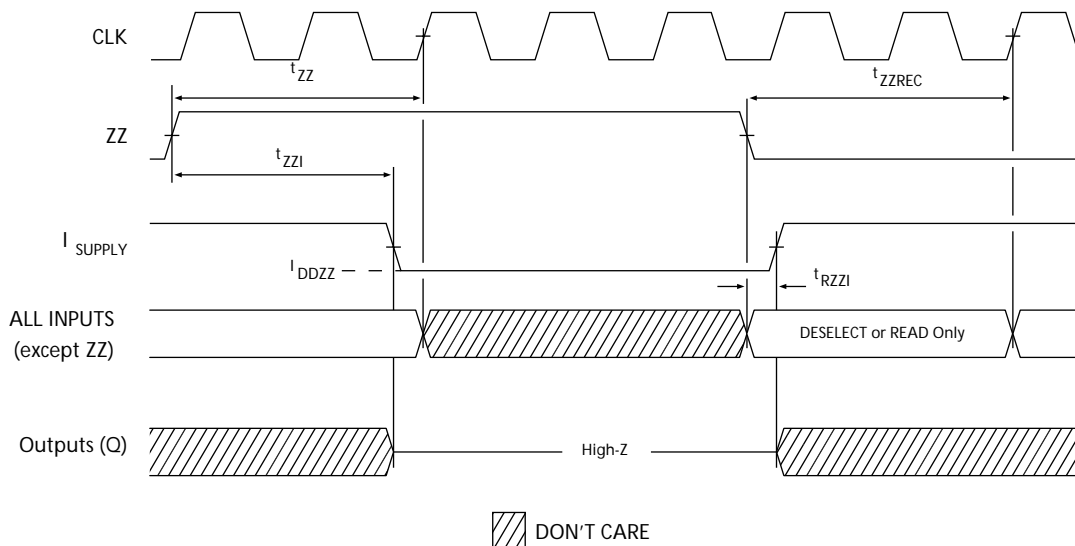
- 19. For this waveform ZZ is tied low.
- 20. When \overline{CE} is LOW, \overline{CE}_1 is LOW, CE_2 is HIGH and \overline{CE}_3 is LOW. When \overline{CE} is HIGH, \overline{CE}_1 is HIGH or CE_2 is LOW or \overline{CE}_3 is HIGH.
- 21. Order of the Burst sequence is determined by the status of the MODE (0= Linear, 1= Interleaved). Burst operations are optional.

Switching Waveforms

NOP, STALL and DESELECT Cycles^[19, 20, 22]



ZZ Mode Timing^[23,24]



Notes:

- 22. The IGNORE CLOCK EDGE or STALL cycle (Clock 3) illustrates \overline{CEN} being used to create a pause. A write is not performed during this cycle.
- 23. Device must be deselected when entering ZZ mode. See truth table for all possible signal conditions to deselect the device.
- 24. DQs are in high-Z when exiting ZZ sleep mode

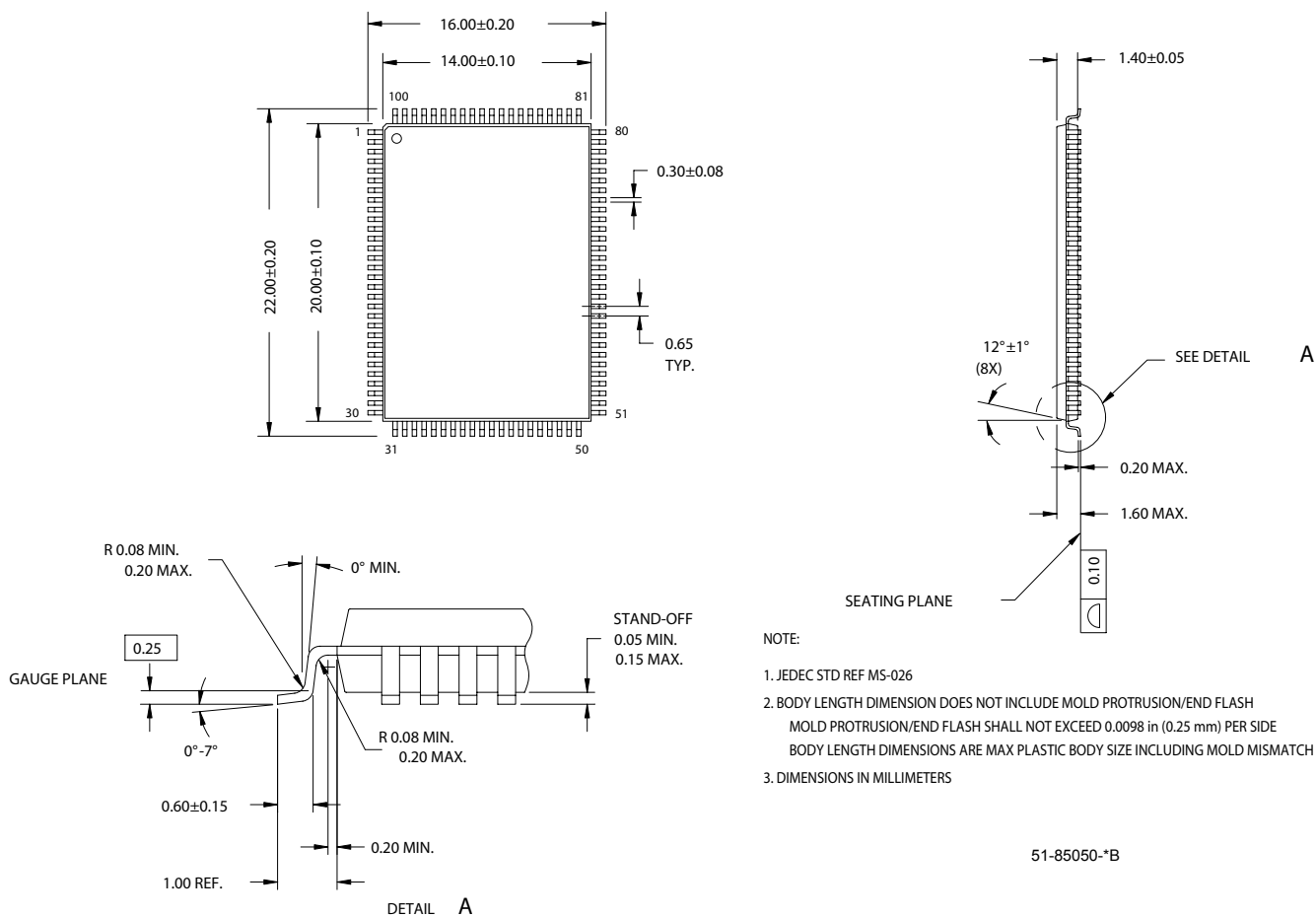
Ordering Information

Not all of the speed, package and temperature ranges are available. Please contact your local sales representative or visit www.cypress.com for actual products offered.

| Speed (MHz) | Ordering Code | Package Diagram | Part and Package Type | Operating Range |
|-------------|------------------|-----------------|--|-----------------|
| 133 | CY7C1353G-133AXC | 51-85050 | 100-Pin Thin Quad Flat Pack (14 x 20 x 1.4 mm) Pb-Free | Commercial |
| | CY7C1353G-133AXI | | | Industrial |
| 100 | CY7C1353G-100AXC | 51-85050 | 100-Pin Thin Quad Flat Pack (14 x 20 x 1.4 mm) Pb-Free | Commercial |
| | CY7C1353G-100AXI | | | Industrial |

Package Diagrams

100-Pin TQFP (14 x 20 x 1.4 mm) (51-85050)



ZBT is a trademark of Integrated Device Technology, Inc. NoBL and No Bus Latency are trademarks of Cypress Semiconductor. All product and company names mentioned in this document are the trademarks of their respective holders.

Document History Page

| Document Title: CY7C1353G 4-Mbit (256K x 18) Flow-through SRAM with NoBL™ Architecture | | | | |
|---|----------------|-------------------|------------------------|---|
| Document Number: 38-05515 | | | | |
| REV. | ECN NO. | Issue Date | Orig. of Change | Description of Change |
| ** | 224363 | See ECN | RKF | New data sheet |
| *A | 288431 | See ECN | VBL | Deleted 66 MHz Changed TQFP package in Ordering Information section to Pb-free TQFP |
| *B | 333626 | See ECN | SYT | Removed 117-MHz speed bin Modified Address Expansion balls in the pinouts for 100 TQFP Packages according to JEDEC standards and updated the Pin Definitions accordingly Modified V_{OL} , V_{OH} test conditions Replaced 'Snooze' with 'Sleep' Replaced TBD's for Θ_{JA} and Θ_{JC} to their respective values on the Thermal Resistance table Updated the Ordering Information by shading and unshading MPNs according to availability |
| *C | 418633 | See ECN | RXU | Converted from Preliminary to Final Changed address of Cypress Semiconductor Corporation on Page# 1 from "3901 North First Street" to "198 Champion Court" Modified test condition from $V_{IH} \leq V_{DD}$ to $V_{IH} < V_{DD}$ Modified test condition from $V_{DDQ} < V_{DD}$ to $V_{DDQ} \leq V_{DD}$ Modified "Input Load" to "Input Leakage Current except ZZ and MODE" in the Electrical Characteristics Table Replaced Package Name column with Package Diagram in the Ordering Information table Replaced Package Diagram of 51-85050 from *A to *B Updated the Ordering Information |
| *D | 480124 | See ECN | VKN | Added the Maximum Rating for Supply Voltage on V_{DDQ} Relative to GND. Updated the Ordering Information table. |
| *E | 1274724 | See ECN | VKN/AESA | Corrected typo in the Ordering Information table |