

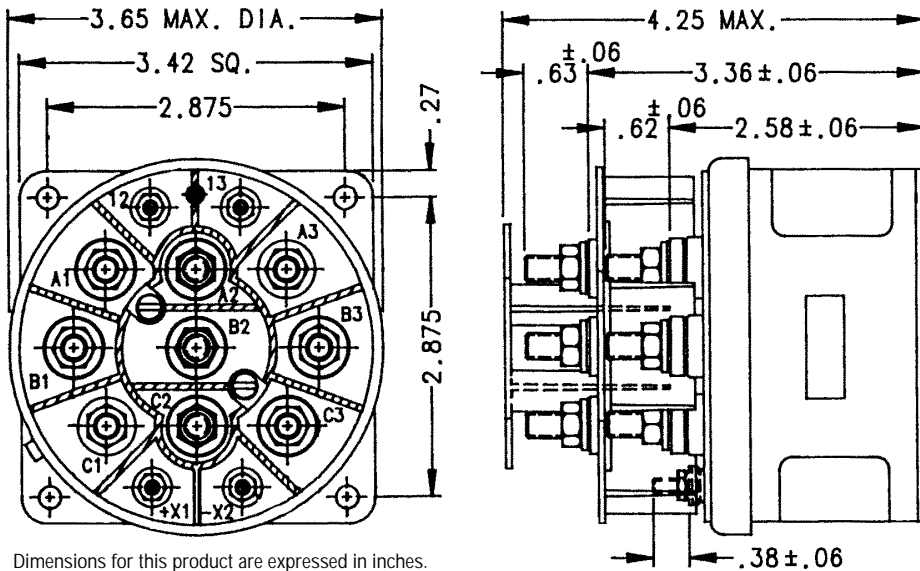
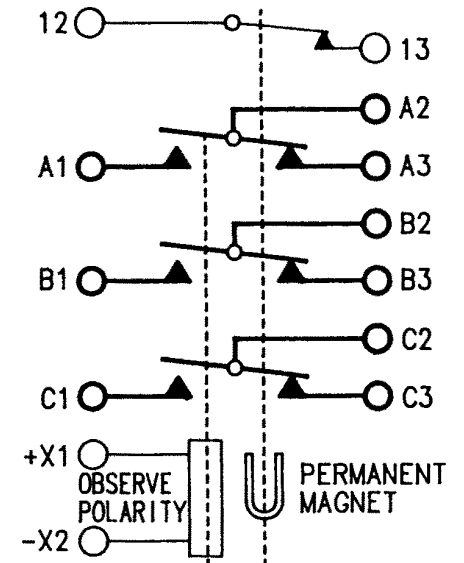
# D-25BD 3PDT, 100 Amps, 115/200 VAC, 400 Hz



**Features:**

- 3PDT Main Contacts
- Mechanically Interlocked
- 115/200 VAC, 400 Hz
- 100 Amps
- High Reliability
- Meets many requirements of MIL-R-6106

**CONTACTOR CONFIGURATION**



Dimensions for this product are expressed in inches. Multiply values by 25.4 for millimeters.

PRODUCT SPECIFICATIONS	
Construction	Gasket Sealed, Vented
Main Contacts:	
Configuration	3PDT
Voltage (Nominal)	115/200 VAC, 400 Hz
Current (Resistive)	100 Amps
Auxiliary Contacts:	
Configuration	SPST N.C.
Voltage (Nominal)	28 VDC
Current (Resistive)	5 Amps
Coil Data:	
Duty Cycle	Continuous
Voltage (Nominal)	28 VDC
Pick-Up Voltage	18 VDC Maximum
Drop-Out Voltage	1.5 - 7 VDC
Coil Current @ 28 VDC & +25°C	200 Milliampers Maximum
Operating Temperature	-55°C to +71°C
Life:	
Electrical	50,000 Cycles
Mechanical	100,000 Cycles
Weight Maximum	2 Lbs. 5.5 Oz.

Notes:

For factory-direct application assistance, contact the HARTMAN product team at (419) 521-9500, Fax (419) 526-2749.

© 2004 by Tyco Electronics Corporation. All Rights Reserved. HARTMAN and TYCO are trademarks.