



FEATURES

- ◆ Small footprint
- ◆ Temperature range: -40°C~+85°C
- ◆ 1KVDC isolation
- ◆ No Heat sink required
- ◆ No external component required
- ◆ Internal SMD Construction
- ◆ Industry standard pinout
- ◆ RoHS Compliance

MODEL SELECTION

D^①05^②05^③05^④X^⑤N^⑥M^⑦

- ① Product Series
- ② Input Voltage
- ③ The 1st Output Voltage
- ④ The 2nd Output Voltage
- ⑤ Fixed Input
- ⑥ -Vout&+Vout layout
- ⑦ Mini SIP Package Style

APPLICATIONS

The D-XNM Series are specially designed for applications where a group of polar power supplies are isolated from the input power supply in a distributed power supply system on a circuit board.

These products apply to:

- 1) Where the voltage of the input power supply is fixed (voltage variation $\leq \pm 10\%$);
- 2) Where isolation is necessary between input and output (isolation voltage $\leq 1000\text{VDC}$);
- 3) Where the regulation of the output voltage and the output ripple noise are not demanding. Such as: purely digital circuits, ordinary low frequency analog circuits, and IGBT power device driving circuits.



CE REACH
MICRODC RESERVES THE COPYRIGHT

SELECTION GUIDE

Order code	Input Voltage (V)	Output Voltage1 (V)	Output Voltage2 (V)	Output Current1 (MA)	Output Current2 (MA)	Efficiency (%)	MTTF ¹ (KHRS)
D050503XNM	5	5	3.3	100	152	70	1615
RD050505XNM	5	5	5	50	50	70	146
D050505XNM	5	5	5	100	100	70	1615
D050509XNM	5	5	9	100	56	80	669
D050512XNM	5	5	12	100	42	80	339
D050515XNM	5	5	15	100	34	80	187
RD120505XNM	12	5	5	50	50	84	135
D120505XNM	12	5	5	100	100	70	489
D120509XNM	12	5	9	100	56	80	343
D120512XNM	12	5	12	100	42	80	229
D120515XNM	12	5	15	100	34	80	148
RD240505XNM	24	5	5	50	50	84	130
D240505XNM	24	5	5	100	100	81	395
D240509XNM	24	5	9	100	56	82	289
D240512XNM	24	5	12	100	42	84	186
D240515XNM	24	5	15	100	34	84	150

COMMON SPECIFICATIONS

Item	Test Conditions	Min.	Typ.	Max.	Units
Storage humidity range				95	%
Operating temperature		-40		85	°C
Storage temperature		-55		125	
Lead temperature	1.5mm from case for 10 seconds			300	
Temp. rise at full load			15	25	
Short circuit protection*				1	S
Cooling		Free air convection			
Case material		Plastic(UL94-V0)			
MTBF		3500			K hours
Weight			1.4		g

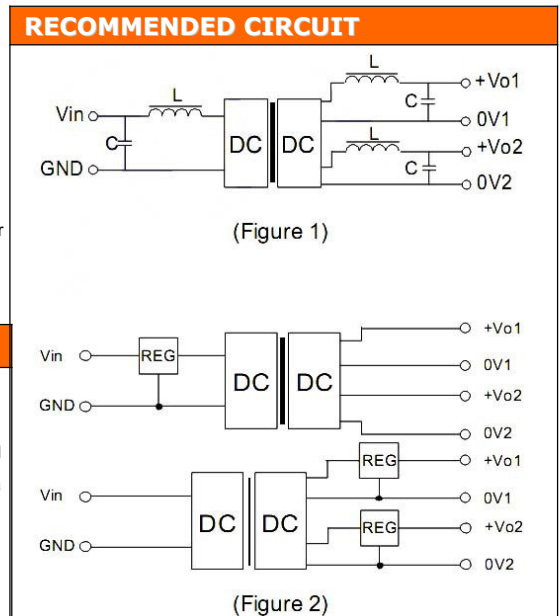
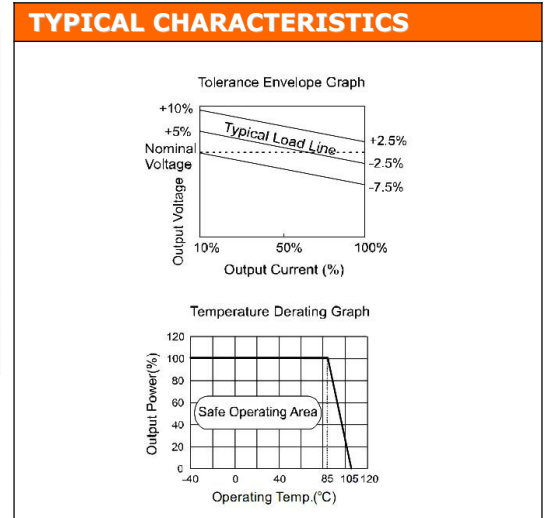
*Supply voltage must be discontinued at the end of short circuit duration.

ISOLATION SPECIFICATIONS					
Item	Test Conditions	Min.	Typ.	Max.	Units
Isolation voltage (Vin/Vout)	Tested for 1 minute and 1mA max	1000			VDC
Isolation voltage (Vo1/Vo2)	Tested for 1 minute and 1mA max	1000			VDC
Isolation resistance (Vin/Vout)	Test at 500VDC	1000			MΩ
Isolation resistance (Vo1/Vo2)	Test at 500VDC	1000			MΩ
Isolation capacitance(Vin/Vout)			30		pF
Isolation capacitance(Vo1/Vo2)			30		pF

OUTPUT SPECIFICATIONS					
Item	Test Conditions	Min.	Typ.	Max.	Units
Output power		0.1		1	W
Line regulation	For Vin change of 1%			±1.5	%
Load regulation	10% to 100% load (3.3V output)		15	20	%
Load regulation	10% to 100% load(5V output)		12.8	15	%
Output voltage accuracy		See tolerance envelope graph			
Temperature drift	100% full load			±0.03	%/°C
Ripple & Noise*	20MHz Bandwidth		75	100	mVp-p
Switching frequency	Full load, nominal input		130		KHz

*Test ripple and noise by "Parallel cable"method. See detailed operation instructions at Testing of Power Converter section, application notes.

APPLICATION NOTE
<p>Requirement on output load</p> <p>To ensure this module can operate efficiently and reliably, During operation, the minimum output load could not be less than 10% of the full load. If the actual output power is very small, please connect a resistor with proper resistance at the output end in parallel to increase the load , or use our company products with a lower rated output power.</p>
<p>Recommended circuit</p> <p>If you want to further decrease the input/output ripple , an "LC" filtering network may be connected to the input and output ends of the DC/DC converter, see (Figure 1).</p> <p>It should also be noted that the inductance and the frequency of the "LC" filtering network should be staggered with the DC/DC frequency to avoid mutual interference. However , the capacitance of the output filter capacitor must be proper. If the capacitance is too big,a startup problem might arise. For every channel of output , provided the safe and reliable operation is ensured , the recommended capacitance of its filter capacitor sees (Table 1).</p>
<p>Output Voltage Regulation and Over-voltage Protection Circuit</p> <p>The simplest device for output voltage regulation, over-voltage and over-current protection is a linear voltage regulator with overheat protection that is connected to the input or output end in series (Figure 2).</p>
<p>Overload Protection</p> <p>Under normal operating conditions, the output circuit of these products has no protection against overload.The simplest method is to connect a self-recovery fuse in series at the input end or add a circuit breaker to the circuit.</p>
<p>No parallel connection or plug and play</p>



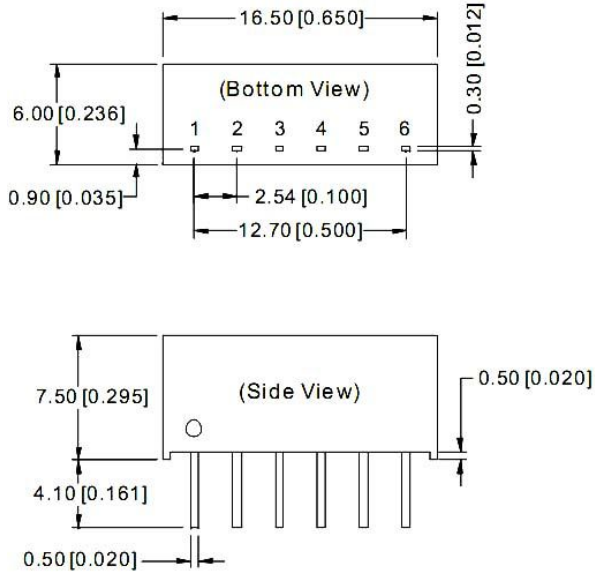
EXTERNAL CAPACITOR TABLE (TABLE 1)

Vin(VDC)	Cin(μF)	Cout(μF)	Vout(VDC)
3.3/5	4.7	3.3/5	4.7

It's not recommended to connect any external capacitor in the application field with less than 0.5 watt output.

OUTLINE DIMENSIONS & FOOTPRINT DETAILS

MECHANICAL DIMENSIONS



Note:

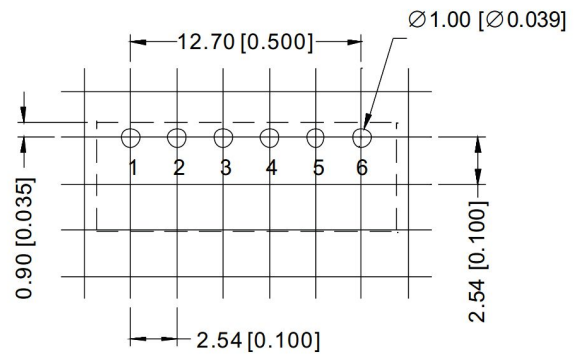
Unit:mm[inch]

Pin section tolerances:±0.10mm[±0.004inch]

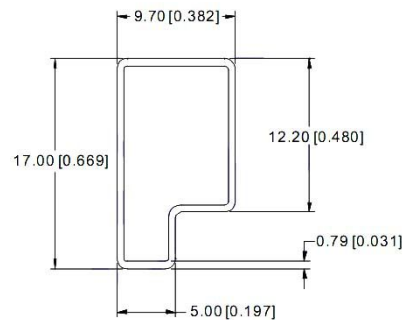
General tolerances:±0.25mm[±0.010inch]

FOOTPRINT DETAILS	
Pin	Function
1	Vin
2	GND
3	Vo1
4	0V1
5	Vo2
6	0V2

RECOMMENDED FOOTPRINT



TUBE OUTLINE DIMENSIONS



Note:

Unit :mm[inch]

General tolerances:±0.50mm[±0.020inch]

L=530mm[20.866inch] Tube Quantity: 30pcs

L=220mm[8.661inch] Tube Quantity: 11pcs