

Rectifier Diode

D170



Technical Data

Typical applications :All purpose high power rectifier diodes, Non-controllable rectifiers .
Free-wheeling diodes & welding

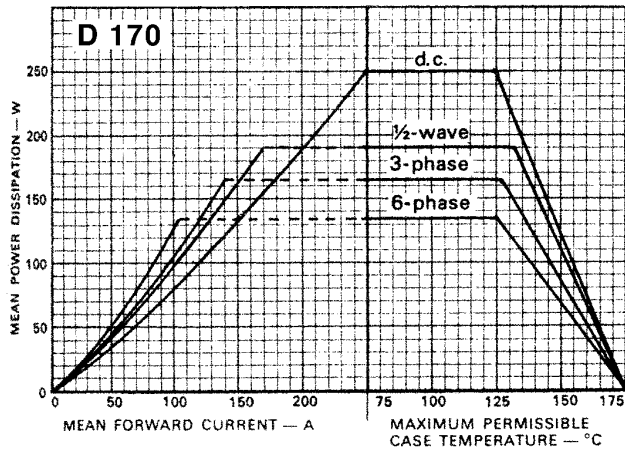
Type No.	V_{RRM} (Volts)	V_{RSM} (Volts)
D170/04	400	500
D170/08	800	900
D170/12	1200	1300
D170/14	1400	1500
D170/16	1600	1700

Features

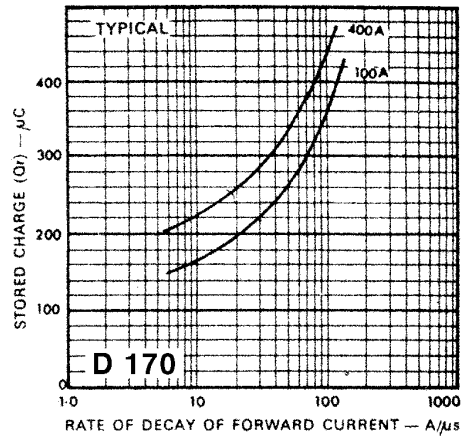
- Reverse voltage upto 1600V.
- Hermetic glass to metal seal
- C : Cathode to stud
- A : Anode to stud

Symbol	Conditions	Values
$I_{F(AV)}$	Sin 180; $T_{case} = 132\text{ }^{\circ}\text{C}$	170 A
I_{FSM}	$T_{vj} = 175\text{ }^{\circ}\text{C}$; 10 ms with 50% VRRM	4.5 KA
I^2t	$T_{vj} = 175\text{ }^{\circ}\text{C}$; 10 ms	101000 A^2s
	$T_{vj} = 175\text{ }^{\circ}\text{C}$; 3 ms	74000 A^2s
I_{RRM}	$T_{vj} = 175\text{ }^{\circ}\text{C}$	15 mA max
V_F	$T_{vj} = 25\text{ }^{\circ}\text{C}$; $I_F = 500\text{ A}$	1.30 V max
V_o	$T_{vj} = 175\text{ }^{\circ}\text{C}$	0.81 V
R_o	$T_{vj} = 175\text{ }^{\circ}\text{C}$	0.84 m
$R_{th(j-c)}$ $R_{th(c-h)}$ T_{vj} T_{stg}	d.c.	0.20 $^{\circ}\text{C/W}$
	Half wave	0.22 $^{\circ}\text{C/W}$
	3 phase	0.30 $^{\circ}\text{C/W}$
		0.15 $^{\circ}\text{C/W}$
		175 $^{\circ}\text{C}$
		-40.....+ 175 $^{\circ}\text{C}$
Mounting torque	SI units	10 Nm
Weight	Approx	100 g
Case outline		W / M

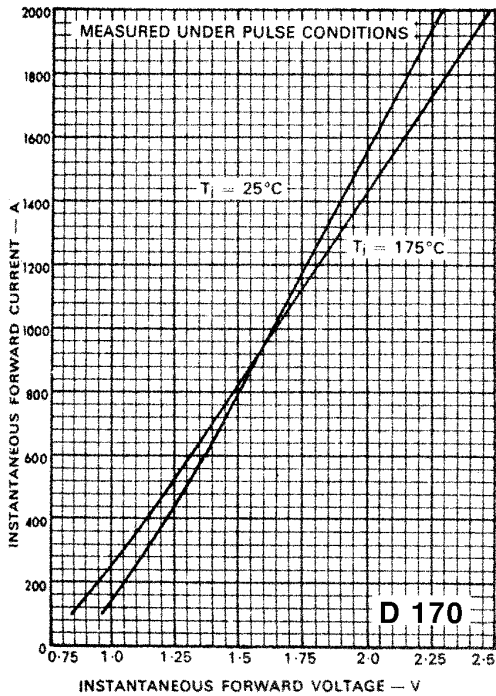




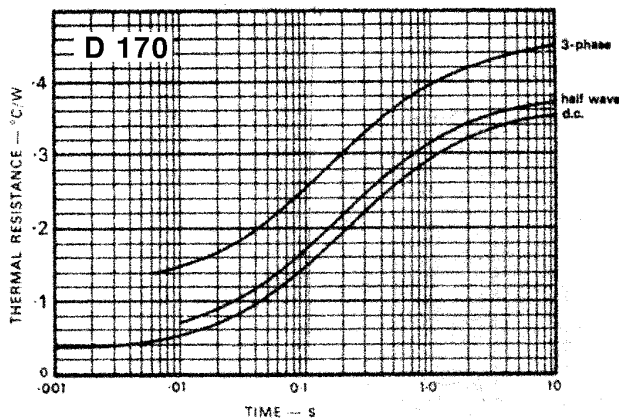
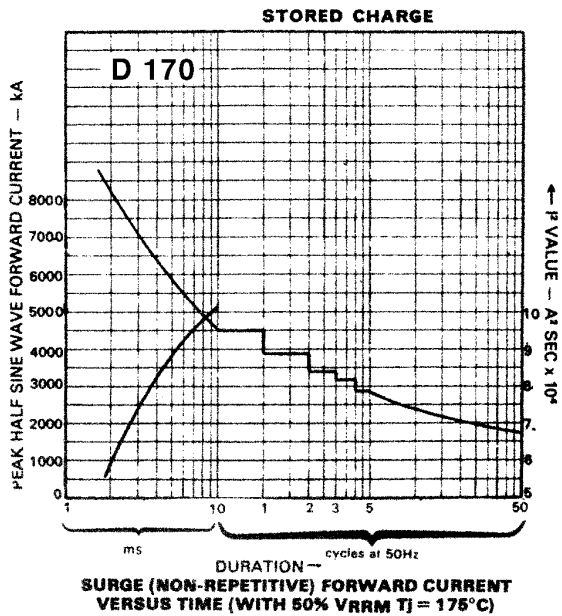
DISSIPATION CURVES



STORED CHARGE



MAXIMUM (LIMIT) FORWARD CHARACTERISTICS

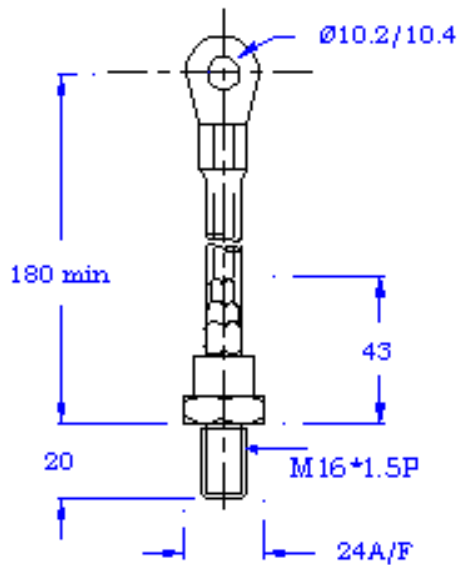


MAXIMUM (LIMIT) THERMAL RESISTANCE (JUNCTION TO HEATSINK SURFACE)

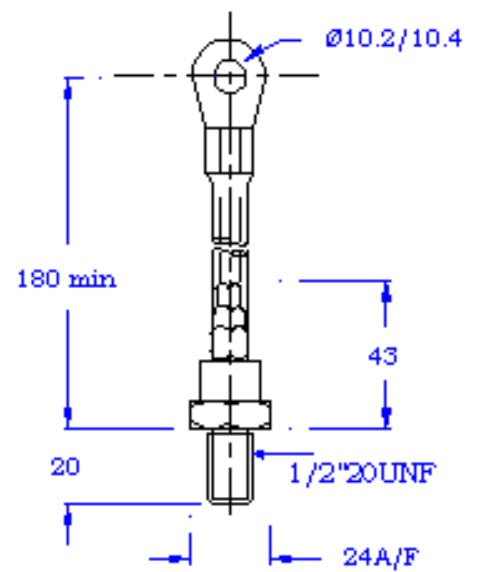
PACAKAGE DEATILS

DO NOT SCALE

All Dimensions in mm



Mounting Torque 10NM **W**



Mounting Torque 10NM **M**