

# Rectifier Diode

## D570



### Technical Data

Typical applications :All purpose high power rectifier diodes, Non-controllable rectifiers . Free-wheeling diodes.

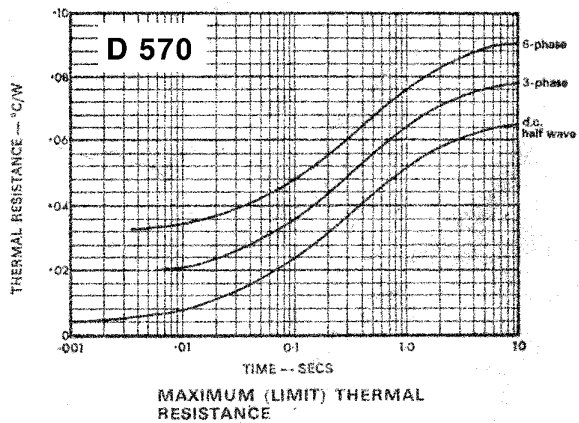
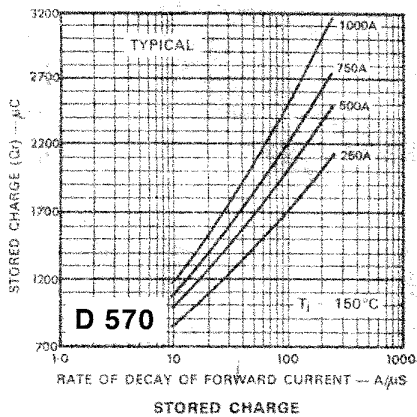
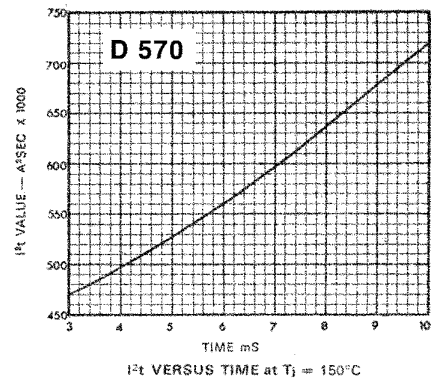
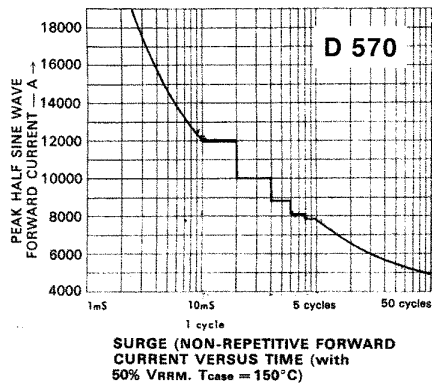
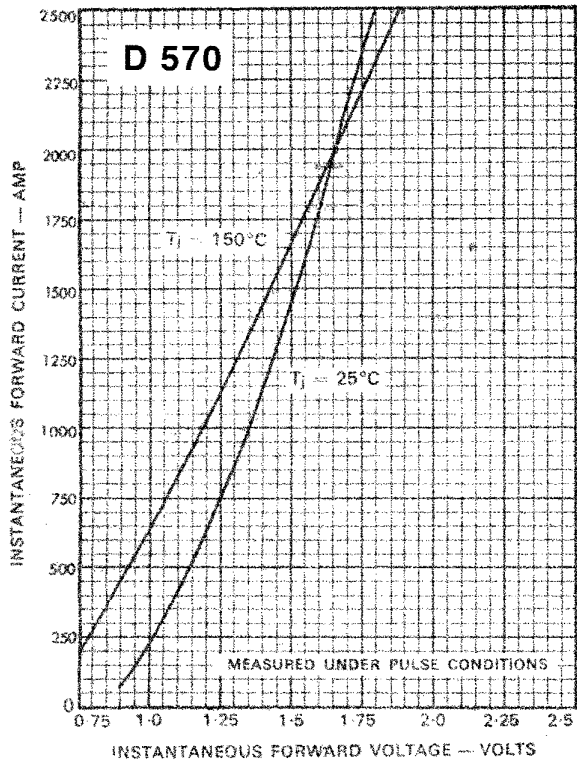
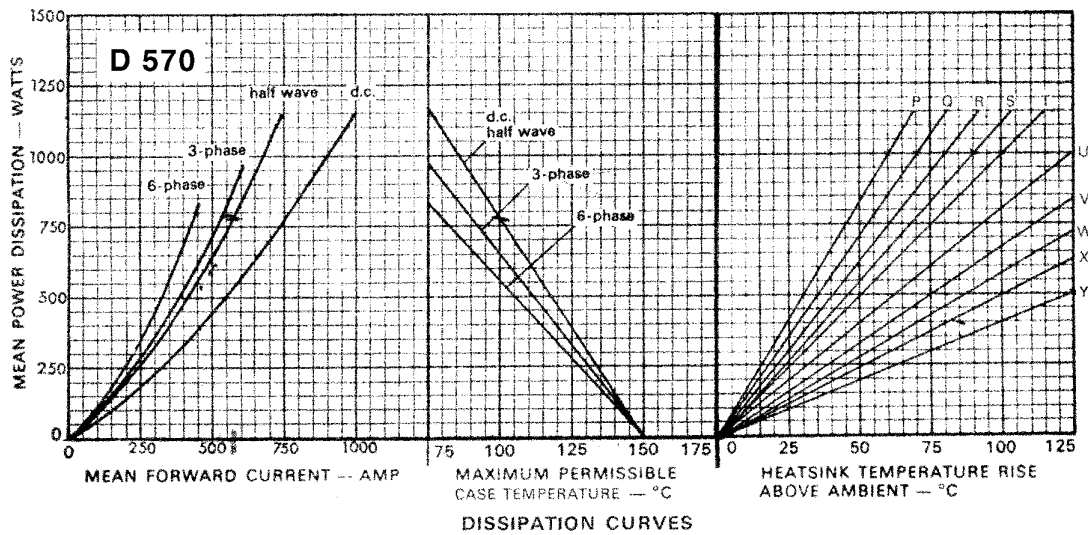
| Type No. | $V_{RRM}$<br>(Volts) | $V_{RSM}$<br>(Volts) |
|----------|----------------------|----------------------|
| D570/32  | 3200                 | 3300                 |
| D570/34  | 3400                 | 3500                 |
| D570/36  | 3600                 | 3700                 |
| D570/38  | 3800                 | 3900                 |
| D570/40  | 4000                 | 4100                 |
| D570/43  | 4300                 | 4400                 |

### Features

- Reverse voltage upto 4300V.
- C: Cathode to stud
- A: Anode to stud

| Symbol                                 | Conditions                                  | Values   |
|--|---|--|
| $I_{F(AV)}$                            | Sin 180; Tcase = 100 °C                     | 570 A  |
| $I_{FSM}$                              | Tvj = 150 °C ; 10 ms with 50%VRRM           | 12000 A  |
| $I^2t$                                 | Tvj = 150 °C ; 10 ms<br>Tvj = 150 °C ; 3 ms | 720000 A <sup>2</sup> s<br>470000 A <sup>2</sup> s |
| $I_{RRM}$                              | Tvj = 150 °C                                | 50 mA max  |
| $V_F$                                  | Tvj = 25 °C ; $I_F = 1800$ A                | 1.60V max  |
| $V_o$                                  | Tvj = 150 °C                                | 0.75V  |
| $R_o$                                  | Tvj = 150 °C                                | 0.44 m   |
| $R_{th(j-c)}$<br>$T_{vj}$<br>$T_{stg}$ | d.c. Half wave                              | 0.065 °C/W<br>150 °C<br>-40.....+ 150 °C           |
| Mounting torque                        | SI units                                    | 15 Nm /Bolt  |
| Weight                                 | Approx                                      | 750 g  |
| Case outline                           |   | U (WITH -J HEADER)<br>U (WITH -X HEADER)           |

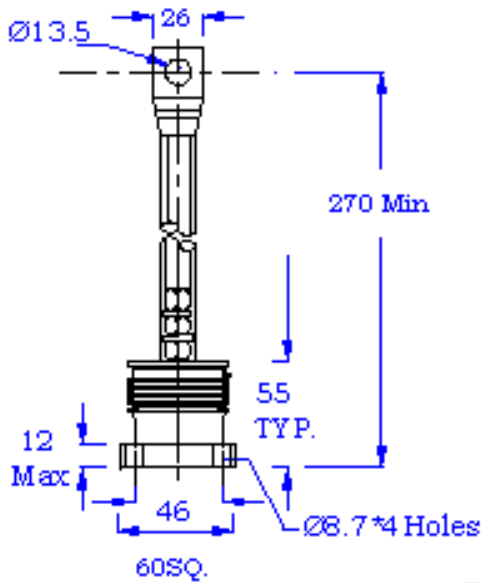




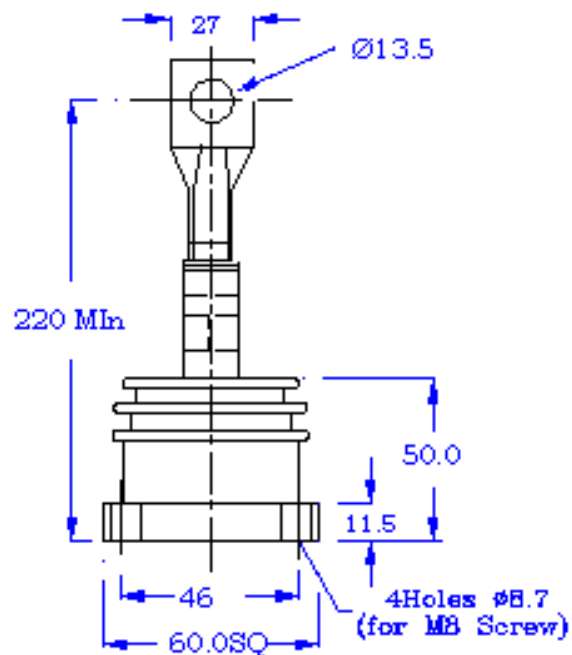
PACAKAGE DEATILS

DO NOT SCALE

All Dimensions in mm



Mounting Torque 15NM/bolt **U (X-Header)**



Mounting Torque 15Nm/Bolt **U (J-Header)**