

Rectifier Diode

D6

Technical Data

Typical applications :All purpose high power rectifier diodes, Non-controllable and half controlled rectifiers . Free-wheeling diodes.

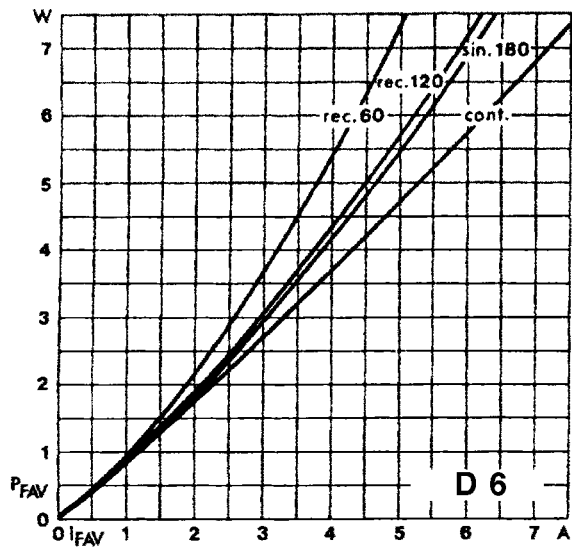
Type No.	V_{RRM} (Volts)	V_{RSM} (Volts)
D6/02	200	300
D6/04	400	500
D6/08	800	900
D6/12	1200	1300
D6/16	1600	1700

Features

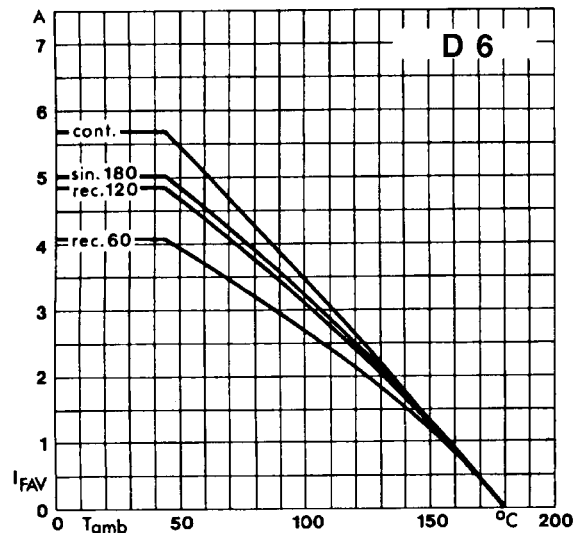
- Reverse voltage upto 1600V.
- Hermetic glass to metal seal
- C : Cathode to stud
- A : Anode to stud

Symbol	Conditions	Values
$I_{F(AV)}$	Sin 180 ; $T_{case} = 130\text{ }^{\circ}\text{C}$	6 A
I_{FSM}	$T_{vj} = 25\text{ }^{\circ}\text{C}$; 10 ms	190 A
	$T_{vj} = 180\text{ }^{\circ}\text{C}$; 10 ms	160 A
I^2t	$T_{vj} = 25\text{ }^{\circ}\text{C}$	180 A^2s
	$T_{vj} = 180\text{ }^{\circ}\text{C}$	130 A^2s
I_{RRM}	$T_{vj} = 180\text{ }^{\circ}\text{C}$	2.2 mA max
V_F	$T_{vj} = 25\text{ }^{\circ}\text{C}$; $I_F = 15\text{ A}$	1.25 V max
V_0	$T_{vj} = 180\text{ }^{\circ}\text{C}$	0.85 V
R_0	$T_{vj} = 180\text{ }^{\circ}\text{C}$	25 m
$R_{th(j-c)}$		3.8 $^{\circ}\text{C/W}$
$R_{th(c-h)}$		1.0 $^{\circ}\text{C/W}$
T_{vj}		180 $^{\circ}\text{C}$
T_{stg}		-40.....+ 180 $^{\circ}\text{C}$
Mounting torque	SI units	2 Nm
Weight	Approx	20 g
Case outline		C/P

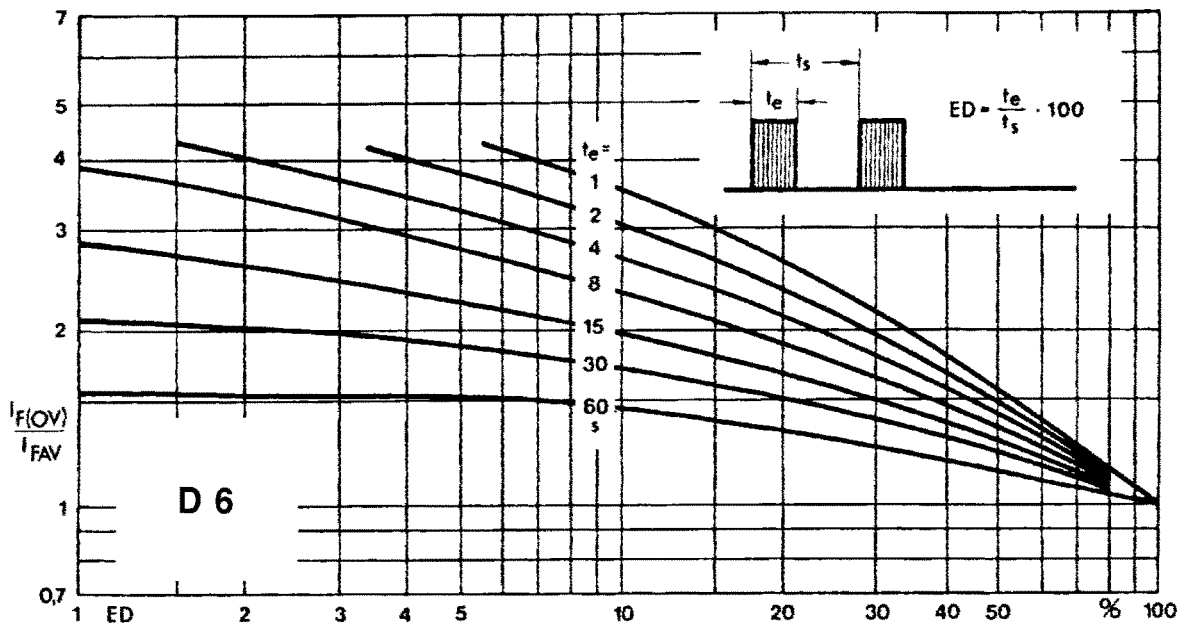




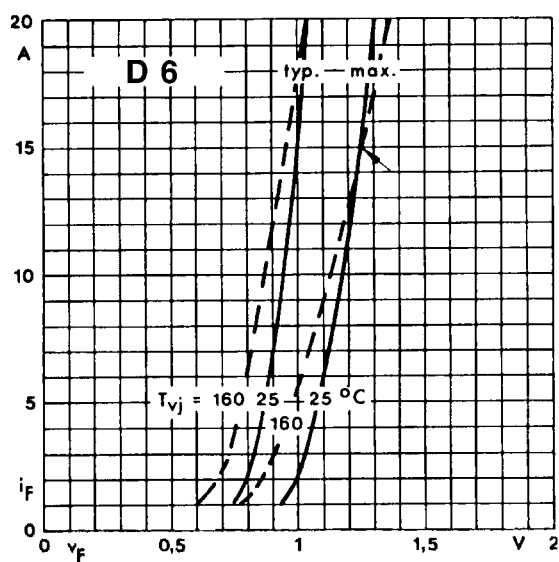
Power dissipation vs. forward current



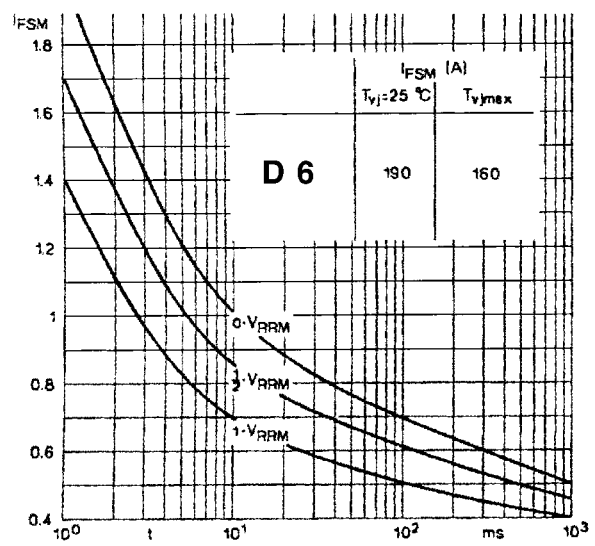
Rated forward current vs. ambient temperature



Rated overload current vs. duty cycle



Forward characteristics

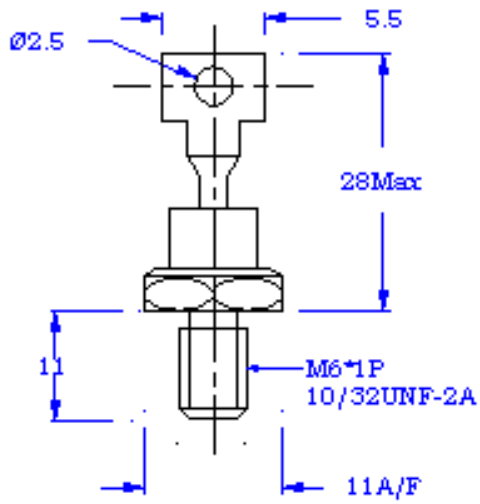


Surge overload current vs. time

PACAKAGE DEATILS

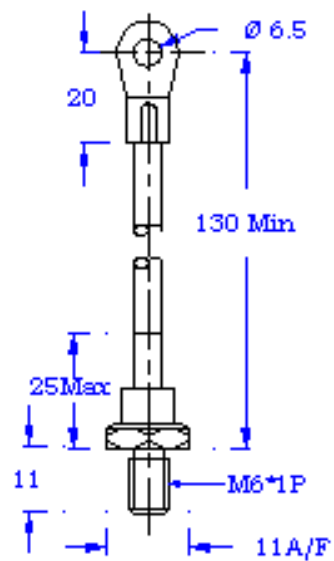
DO NOT SCALE

All Dimensions in mm



Mounting Torque 2NM

C



Mounting Torque 2NM

P