



DAC40- Series

AC/DC 40 Watt Single Output



Available in Wide range of output VDC
Isolated output 3000VAC
Internal Input Filter
Up to 88% Efficiency
Encapsulated compact size 3" X2"
EN62368-1, CE recognized
ITE & AC Motor Applications
3 year Warranty



		UNIT		
INPUT	Voltage/Freq	V	Universal Input voltage AC 100V ~ 240V	47 ~ 63Hz
	Voltage Range	A	AC 90V ~ 264V DC 120 ~370 V	
	Min. Load	-	0%	
	Inrush Current	A	115V 12A (Ta=25°C, Io=100% at cold Start); 230V 20A (Ta=25°C, Io=100% at cold Start)	
	Input Fuse		VDE/UL/CCC FUSE 2.5A/250V (Slow blow)	

		UNIT	DAC40-3.3	DAC40-5	DAC40-6	DAC40-7
OUTPUT	Nominal Voltage	VDC	3.3	5	6	7
	Efficiency typ	%	72	75	78	80
	Current	A	8.00	8.00	6.65	5.7
	Transient Recovery time	us	Vi nom, Io nom = ←→0.5 Io nom Typ. 1000us			
	Line Regulation	%	+/-1%	+/-1%	+/-1%	+/-1%
	Load Regulation	%	+/-2%	+/-2%	+/-2%	+/-2%
	Ripple Noise 20MHz BW full load	mVp-p	150	150	150	150
	Voltage Accuracy	%	3	3	3	3
	Over Load Protection	-	Above 110% rated output power Protection type: Recovers automatically after fault condition is removed			
	Short Circuit Protection	-	CONT. Auto Recovery			
OverVoltage (Main Output)		120%-150% rated output Voltage		Protection type: Zener diode clamp		





		UNIT	DAC40-8	DAC40-9	DAC40-10	DAC40-12
OUTPUT	Nominal Voltage	VDC	8	9	10	12
	Efficiency typ	%	80	82	82	84
	Current	A	5	4.40	4.00	3.50
	Transient Recovery time	us	Vi nom, lo nom = $\leftarrow\rightarrow$ 0.5 lo nom Typ. 1000us			
	Line Regulation	%	+/-1%	+/-1%	+/-1%	+/-1%
	Load Regulation	%	+/-2%	+/-2%	+/-2%	+/-2%
	Ripple Noise 20MHz BW full load	mVp-p	150	150	150	150
	Voltage Accuracy	%	3	3	2	2
	Over Load Protection -		Above 110% rated output power Protection type: Recovers automatically after fault condition is removed			
	Short Circuit Protection -		CONT. Auto Recovery			
OverVoltage (Main Output)		120%-150% rated output Voltage	Protection type: Zener diode clamp			

		UNIT	DAC40-13	DAC40-14	DAC40-15	DAC40-16
OUTPUT	Nominal Voltage	VDC	13	14	15	16
	Efficiency typ	%	84	84	84	85
	Current	A	3.20	3.00	2.80	2.625
	Transient Recovery time	us	Vi nom, lo nom = $\leftarrow\rightarrow$ 0.5 lo nom Typ. 1000us			
	Line Regulation	%	+/-1%	+/-1%	+/-1%	+/-1%
	Load Regulation	%	+/-2%	+/-2%	+/-2%	+/-2%
	Ripple Noise 20MHz BW full load	mVp-p	150	150	150	150
	Voltage Accuracy	%	2	2	2	2
	Over Load Protection -		Above 110% rated output power Protection type: Recovers automatically after fault condition is removed			
	Short Circuit Protection -		CONT. Auto Recovery			
OverVoltage (Main Output)		120%-150% rated output Voltage	Protection type: Zener diode clamp			

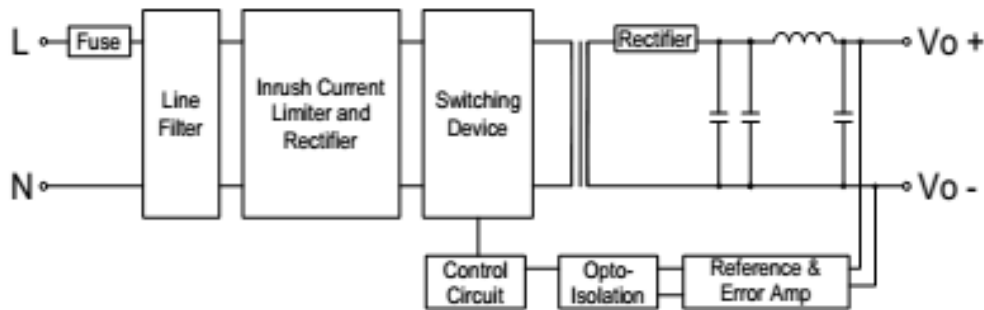




		DAC40-18	DAC40-24	DAC40-27	DAC40-36	DAC40-48	
OUTPUT	Nominal Voltage	VDC	18	24	27	36	48
	Efficiency typ	%	85	86	86	86	88
	Current	A	2.30	1.75	1.55	1.20	1.00
	Transient Recovery time	us	Vi nom, Io nom = \longleftrightarrow 0.5 Io nom Typ. 1000us				
	Line Regulation	%	+/-1%	+/-1%	+/-1%	+/-1%	+/-1%
	Load Regulation	%	+/-2%	+/-2%	+/-2%	+/-2%	+/-2%
	Ripple Noise 20MHz BW full load	mVp-p	200	240	240	240	240
	Voltage Accuracy	%	2	2	2	2	2
	Over Load Protection	Above 110% rated output power Protection type: Recovers automatically after fault condition is removed					
	Short Circuit Protection	CONT. Auto Recovery					

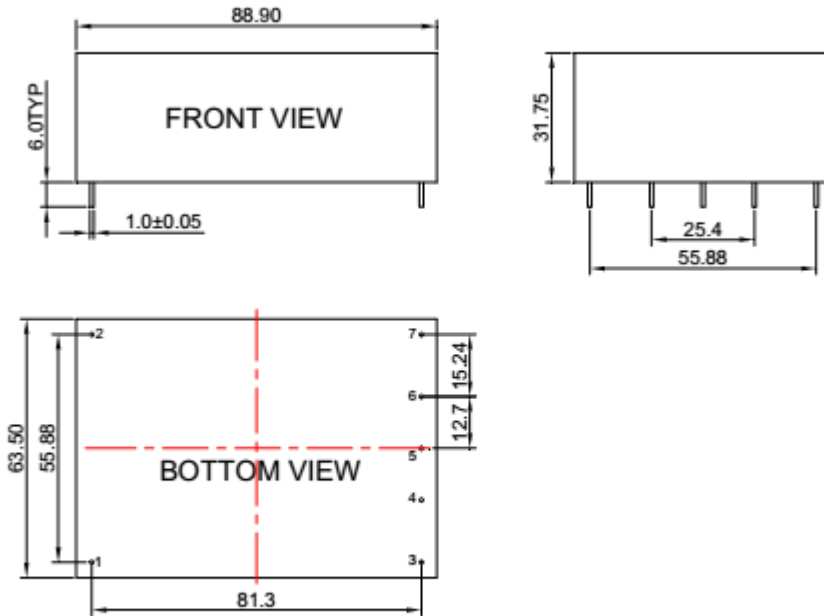
Isolation	Isolation Voltage	Input / Output 3KVac/ 5mA/5Secs
	Switching Frequency	65 KHz
	Isolation Resistance	Input / Output, @500 Vdc 100MΩ
Environment	Operating Temp/Hum.	-20~ +70°C
	Storage Temp/Hum.	-40 ~ +85°C HUMIDITY 95% 5RH%
	Derating	Vi nom, Io nom +51 to 71°C 2 %/°C
Safety	CE EMI Conduction & Radiation	EN62368-1 Compliance to EN55022
	EMS Immunity	Compliance to EN55024
Size	MM	88.9 X 63.5 X 31.75 (mm) 3.5" X 2.5" X 1.25"

BLOCK DIAGRAM





DIMENSIONAL DRAWING (mm)



PIN OUT

PIN	Single
1	ACN
2	ACL
3	+Vo
4	NO PIN
5	-Vo
6	NO PIN
7	NC

Unit : mm Unless otherwise specified, all tolerances are ± 0.50

OUTPUT DERATING CURVE (Temperature)

