



# ETA-USA

The Power Professionals

## DAC40-FWX Series

## 40 Watt AC/DC Dual Output



### Dual Output

Isolated output 3000VAC

Internal Input Filter

Up to 80% Efficiency

Encapsulated compact size 3" X2"

EN62368-1, CE recognized

ITE & AC Motor Applications

3 year Warranty

-DAC25-20: 5V, 5V - DAC25-21: 5V, 24V

-DAC25-22:12V,12V - DAC25-23:15V, 15V

-DAC25-24: 5V, 12V -DAC25-25: 5V,15V

-DAC25-26: 24V, 24V - DAC25-27: 3.3V, 5V

RoHS



UNIT			
INPUT	Voltage/Freq	VAC	Universal Input voltage AC 90V ~ 264V 100~240 VAC 47 ~ 63Hz
	Input Voltage.	VDC	120 ~370VDC
	Min. Load	-	20% each output
	Inrush Current	A	115V 12A (Ta=25°C, Io=100% at cold Start ); 230V 20A (Ta=25°C, Io=100% at cold Start )
	Line Frequency	Hz	47 ~ 63 Typ. 50/60

		UNIT	DAC40-20FWX	DAC40-21FWX	DAC40-22FWX	DAC40-23FWX
OUTPUT	Nominal Voltage	VDC	+/- 5	+5 /+24	+/- 12	+/- 15
	Efficiency typ	%	75	78	80	80
	Current	A	+/- 4	+5/+ 0.625	+/- 1.75	+/- 1.4
	Transient Recovery time	uSec	Vi nom, Io nom = ←→0.5 Io nom Typ. 1000 uSec			
	Line Regulation	%	+/-1%	+/-1%	+/-1%	+/-1%
	Load Regulation	%	+/-5%	+/-5%	+/-5%	+/-5%
	Ripple Noise 20MHz BW full load	mVp-p	150	150/240	150	150
	Voltage Accuracy	%	5	5	5	5
	Over Load Protection		Auto Recovery Above 110% rated output Power Protection type: Recovers automatically after fault condition is removed			
	Short Circuit Protection		CONT. Auto Recovery			
Over Voltage Protection		120%-150% rated output Voltage Protection type: Zener diode clamp				



# ETA-USA

16170 Vineyard Blvd, Suite 180 Morgan Hill, CA 95037 <http://www.eta-usa.com>

Toll-free (US only): 800-ETA-POWR (800-382-7697) Telephone: 408 778-2793 FAX: 408-779-2753



		UNIT	DAC40-24FWX	DAC40-25 FWX	DAC40-26FWX	DAC40-27FWX
<b>OUTPUT</b>	<b>Nominal Voltage</b>	VDC	<b>+5/+12</b>	<b>+5 /+15</b>	<b>+/-24</b>	<b>+3.3 / +5</b>
	<b>Efficiency typ</b>	%	75	75	80	72
	<b>Current</b>	A	+5/+1.250	+5/+ 1.0	+/- 0.875	5.0 / 2.0
	<b>Transient Recovery time</b>	uSec	Vi nom, lo nom = ←→0.5 lo nom Typ. 1000 uSec			
	<b>Line Regulation</b>	%	+/-1%	+/-1%	+/-1%	+/-1%
	<b>Load Regulation</b>	%	+/-5%	+/-5%	+/-5%	+/-5%
	<b>Ripple Noise 20MHz BW full load</b>	mVp-p	150/240	150/240	240	150/240
	<b>Voltage Accuracy</b>	%	5	5	5	5
	<b>Over Load Protection</b> -	Auto Recovery Above 110% rated output Power Protection type: Recovers automatically after fault condition is removed				
	<b>Short Circuit Protection</b> -	CONT. Auto Recovery				
<b>Over Voltage Protection</b>	120%-150% rated output Voltage Protection type: Zener diode clamp					

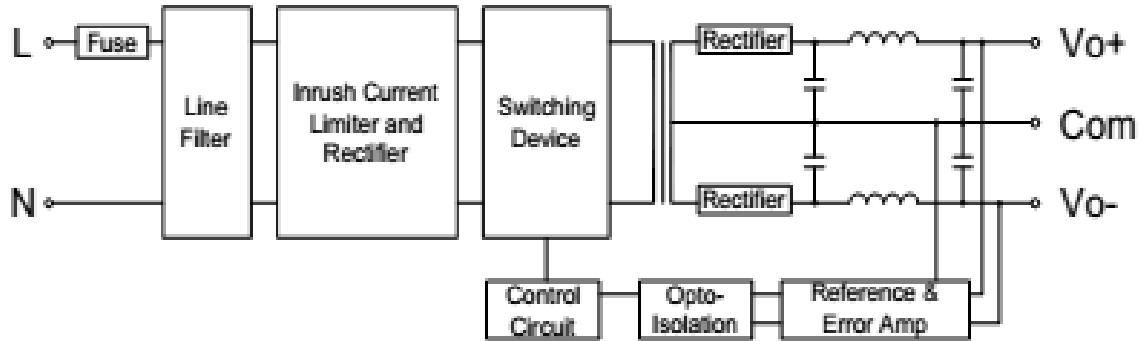
<b>Isolation</b>	<b>Isolation Voltage</b>	Input / Output 3KVac/ 5mA/5Secs
	<b>Switching Frequency</b>	65 KHz
	<b>Isolation Resistance</b>	Input / Output, @500 Vdc 100MΩ
<b>Environment</b>	<b>Operating Temp/Hum.</b>	-20~ +70°C
	<b>Storage Temp/Hum.</b>	-40 ~ +85°C HUMIDITY 95% 5RH%
	<b>Derating</b>	Vi nom, lo nom+51 to 71°C2 %/°C
<b>Safety</b>	<b>CE EMI Conduction &amp; Radiation</b>	EN62368-1 Compliance to EN55022
	<b>EMS Immunity</b>	Compliance to EN55024
<b>Size</b>	<b>MM</b>	76.2 X 50.8 X 25.4 (mm) 3.5" X 2.5" X 1.25"



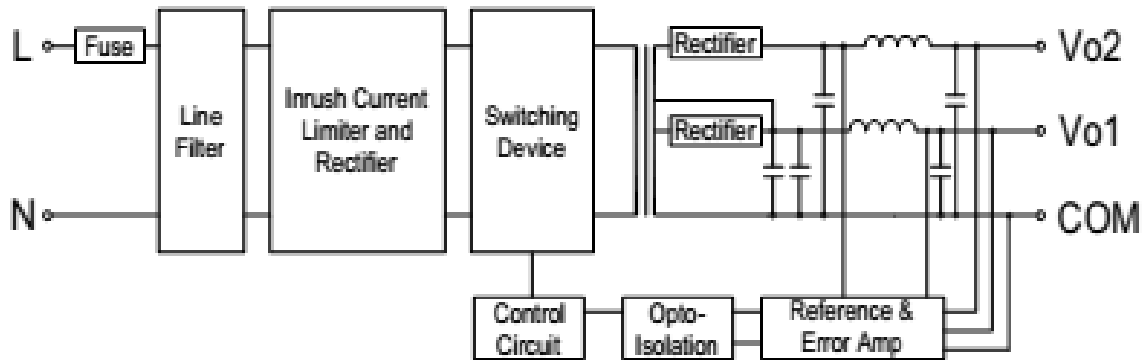


## BLOCK DIAGRAM

### DAC40-20FWX,-22FWX,-23FWX,-26FWX



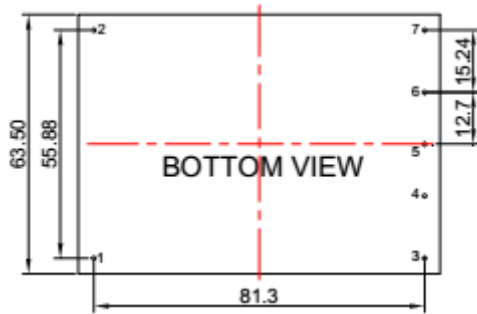
### DAC40-21FWX, -24FWX, -25FWX, -27FWX





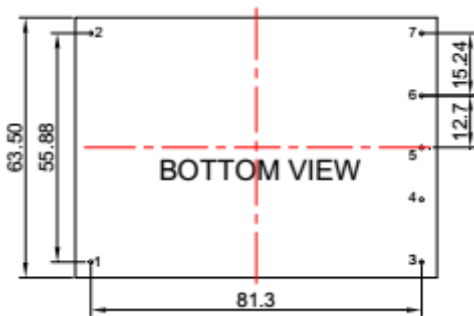
**PINOUT**

**DAC40-20FWX,-22FWX,-23FWX,-26FWX**



PIN	
1	ACN
2	ACL
3	+Vo
4	NO PIN
5	Com
6	NO PIN
7	-Vo

**DAC40-21FWX, -24FWX, -25FWX, -27FWX**

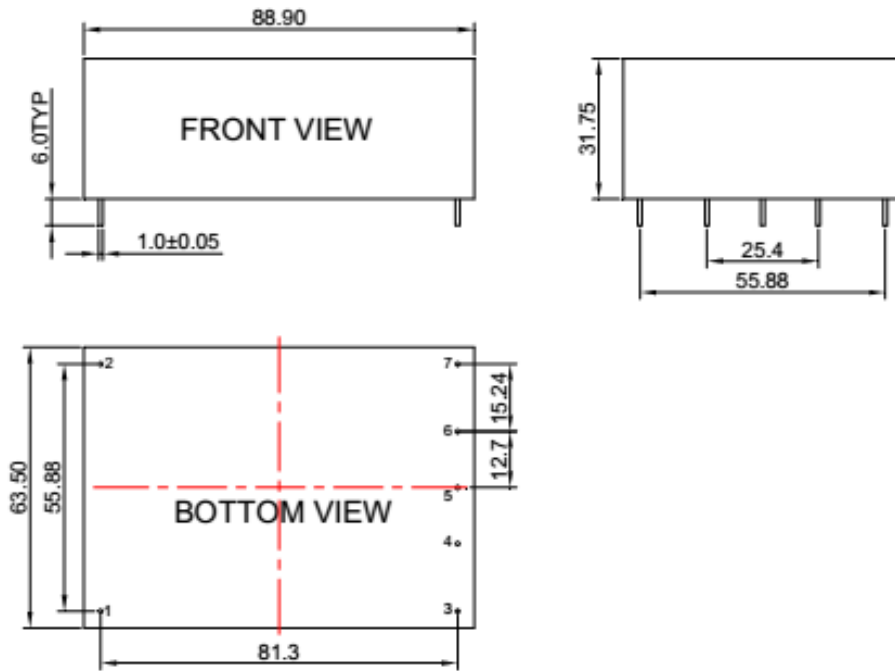


PIN	
1	ACN
2	ACL
3	+Vo2
4	+Vo1
5	Com
6	Com
7	NO PIN





## DIMENSIONAL DRAWING (mm)



Unit : mm Unless otherwise specified, all tolerances are  $\pm 0.50$

## OUTPUT DERATING CURVE (TEMPERATURE)

