

STEERING DIODE ARRAY

APPLICATIONS

- ✓ Ethernet - 10/100/1000 Base T
- ✓ Cellular Phones
- ✓ Handheld Electronics
- ✓ FireWire
- ✓ USB Interface

IEC COMPATIBILITY (EN61000-4)

- ✓ 61000-4-2 (ESD): Air - 15kV, Contact - 8kV
- ✓ 61000-4-4 (EFT): 40A - 5/50ns
- ✓ 61000-4-5 (Surge): 12A, 8/20 μ s - Level 1(Line-Gnd) & Level 2(Line-Line)

FEATURES

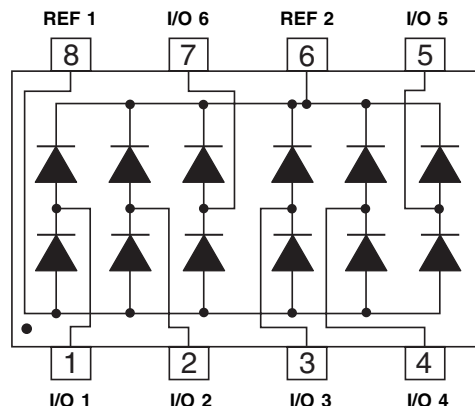
- ✓ ESD Protection > 40 kilovolts
- ✓ Low Clamping Voltage
- ✓ Provides Six (6) Lines of Protection
- ✓ **LOW LEAKAGE CURRENT < 200nA**
- ✓ **ULTRA LOW CAPACITANCE: 5pF Typical**
- ✓ RoHS Compliant on Lead-Free Versions

MECHANICAL CHARACTERISTICS

- ✓ Molded JEDEC SO-8
- ✓ Weight 70 milligrams (Approximate)
- ✓ Available in Tin-Lead or Lead-Free Pure-Tin Plating(Annealed)
- ✓ Solder Reflow Temperature:
 - Tin-Lead - Sn/Pb, 85/15: 240-245°C
 - Pure-Tin - Sn, 100: 260-270°C
- ✓ Flammability Rating UL 94V-0
- ✓ 12mm Tape and Reel Per EIA Standard 481
- ✓ Marking: Marking Code, Logo, Date Code & Pin One Defined By Dot on Top of Package



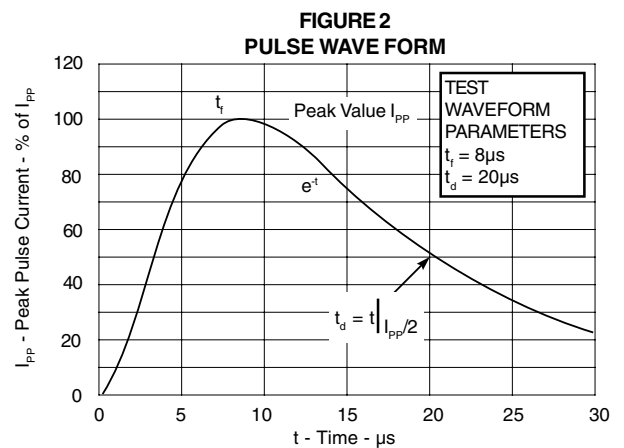
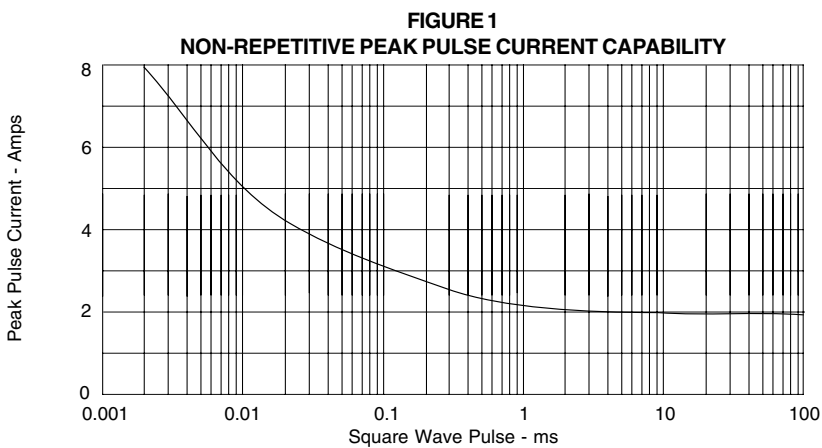
PIN CONFIGURATION



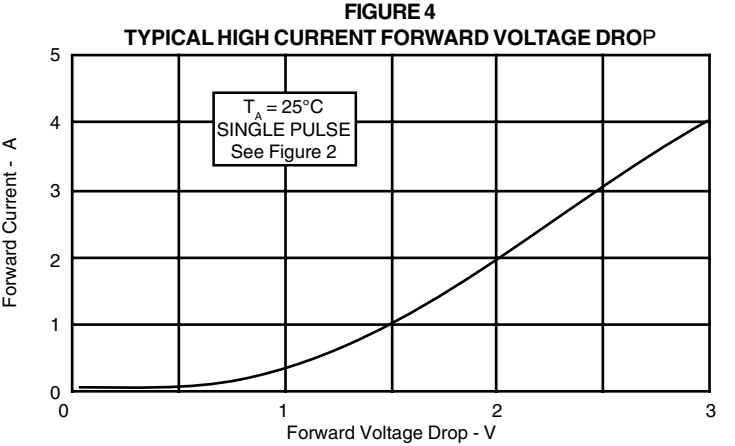
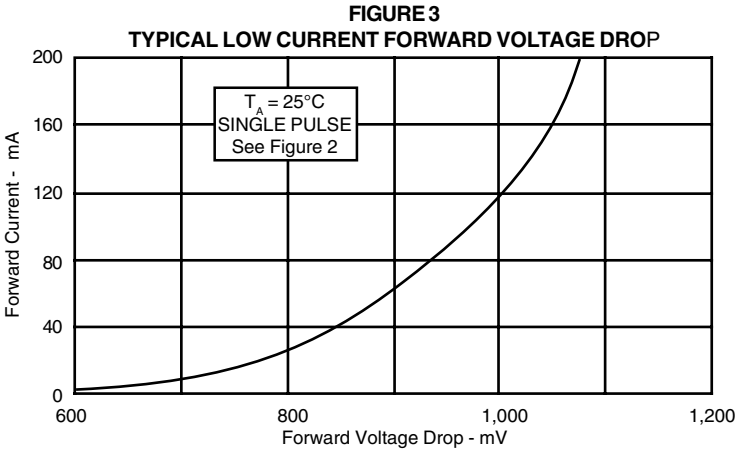
DEVICE CHARACTERISTICS

MAXIMUM RATINGS @ 25°C Unless Otherwise Specified			
PARAMETER	SYMBOL	VALUE	UNITS
Operating Temperature	T_J	-55°C to 150°C	°C
Storage Temperature	T_{STG}	-55°C to 150°C	°C
Continuous Power Dissipation	P_{PC}	145	mW

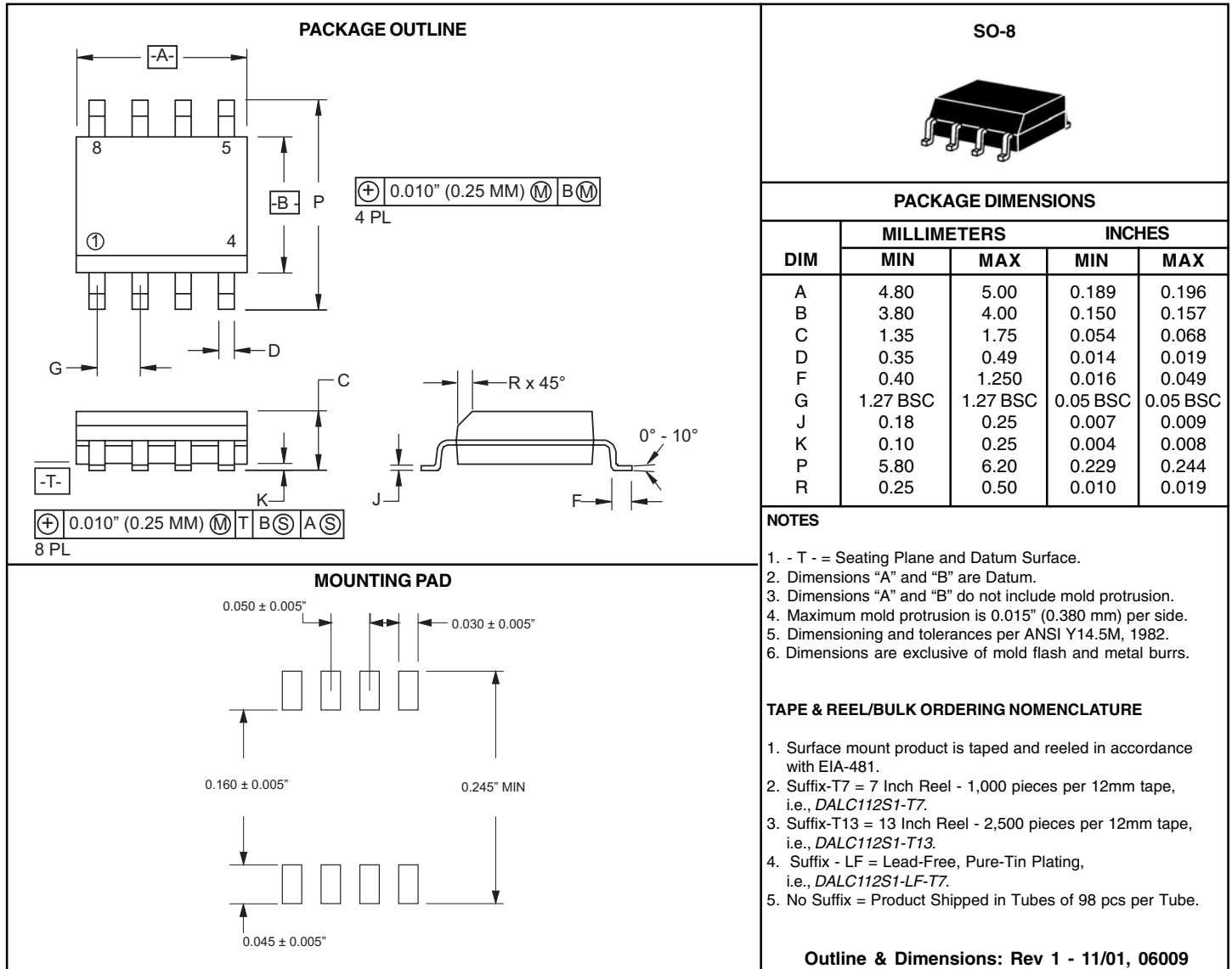
ELECTRICAL CHARACTERISTICS PER LINE @ 25°C Unless Otherwise Specified							
PART NUMBER	DEVICE MARKING	REPETITIVE PEAK REVERSE VOLTAGE	TYPICAL FORWARD VOLTAGE	MAXIMUM PEAK PULSE FORWARD CURRENT	MAXIMUM REVERSE LEAKAGE CURRENT	MAXIMUM QUIESCENT SUPPLY CURRENT	TYPICAL CAPACITANCE
		V_{RRM} VOLTS	@50mA V_F VOLTS	8/20 μ s I_{FM} AMPS	V_{RRM} @18V I_R nA	@20V I_{RQ} nA	@0V, 1 MHz Cj pF
DALC112S1	PSC	20	1.3	12	20	200	5



GRAPHS



PACKAGE OUTLINE & DIMENSIONS



COPYRIGHT © ProTek Devices 2005

SPECIFICATIONS: ProTek reserves the right to change the electrical and or mechanical characteristics described herein without notice (except JEDEC).

DESIGN CHANGES: ProTek reserves the right to discontinue product lines without notice, and that the final judgement concerning selection and specifications is the buyer's and that in furnishing engineering and technical assistance, ProTek assumes no responsibility with respect to the selection or specifications of such products.

ProTek Devices

2929 South Fair Lane, Tempe, AZ 85282

Tel: 602-431-8101 Fax: 602-431-2288

E-Mail: sales@protekdevices.com

Web Site: www.protekdevices.com