



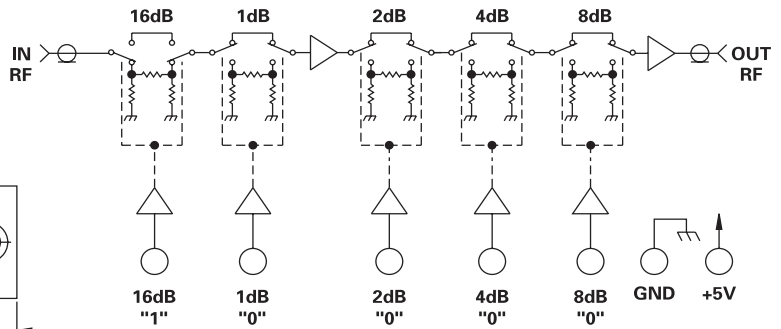
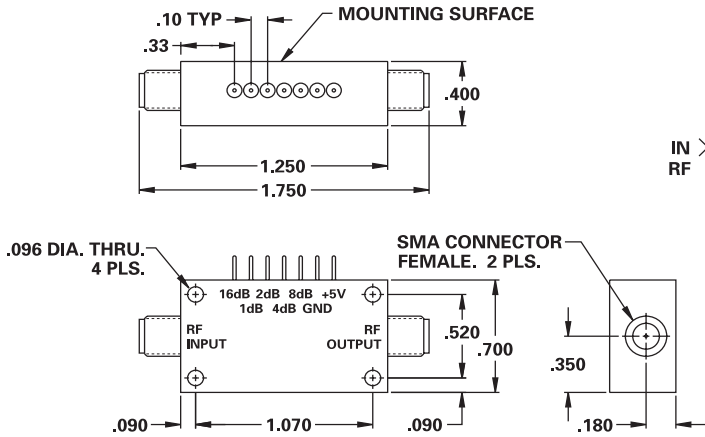
MODEL NUMBER DAML6280

Variable Gain Low Noise Amplifier

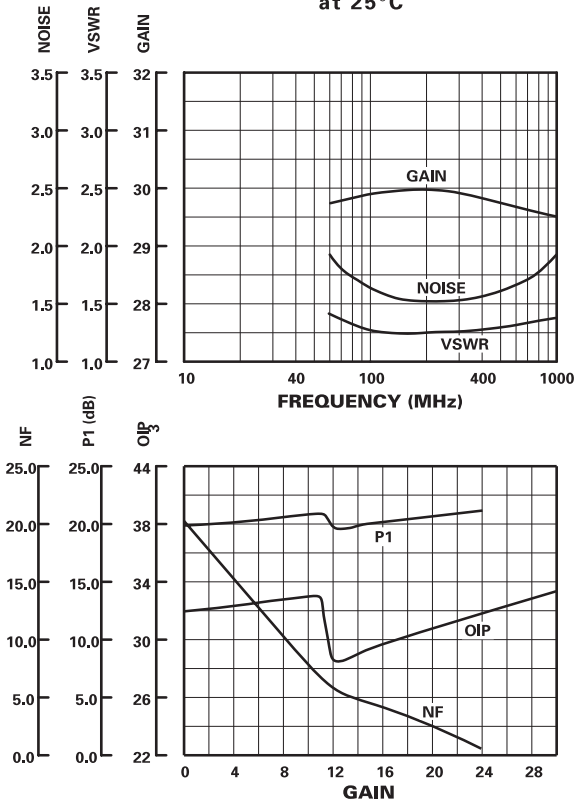
FEATURES

- 80-700 MHz
- Gain 29 dB
- Noise Figure 2 dB
- Attenuation Range 31 dB
- LSB 1 dB

AMP



TYPICAL PERFORMANCE at 25°C



GUARANTEED PERFORMANCE

Parameter	Min	Typ	Max	Units	Conditions
Operating Frequency	60		700	MHz	
DC Current		190	250	mA	At +5 VDC Supply
Control Logic				MHz	5 Line TTL, "0" = Thru "1" = Atten
Control Current			±10	µA	30 dB Gain
Gain	29.25	29.75	30.25	dB	60 MHz
	29.75	30	30.25	dB	200 MHz
	29.25	27.75	30.25	dB	700 MHz
Noise Figure		1.8	2	dB	60 MHz
		1.52	1.7	dB	200 MHz
		1.62	1.8	dB	700 MHz
Impedance		50		OHMS	
Intercept Points	<i>OIP3</i>	+30	+31	dBm	Except 16 and 17 dB Gain
		+28	+29	dBm	At 16 and 17 dB Gain
Compression	<i>P1dB</i>	+19	+20	dBm	Except 16 and 17 dB Gain
		+17	+18	dBm	At 16 and 17 dB Gain
VSWR			1.3/1 2/1		16 to 32 dB Gain -1 to 15 dB Gain
Attenuation	<i>Range</i>	0	31	dB	1, 2, 4, 8, 16 dB ±(3 dB +2% of Atten)
	<i>Steps</i>			dB	
	<i>Accuracy</i>			dB	
Phase Vs. Atten		4.0	±10	Deg	
Phase Matching		1.0	±10	Deg	Unit to Unit in Sets of 2
Amplitude Matching		0.5	±1	dB	Unit to Unit in Sets of 2 With same Atten Setting
Operating Temperature	-45	+25	+85	°C	TA