

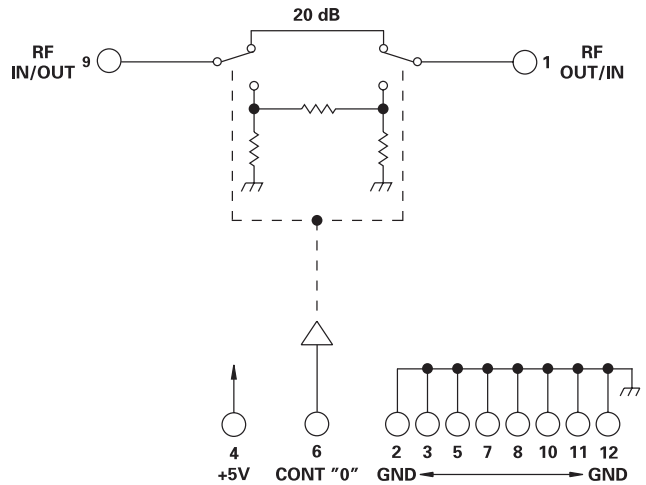
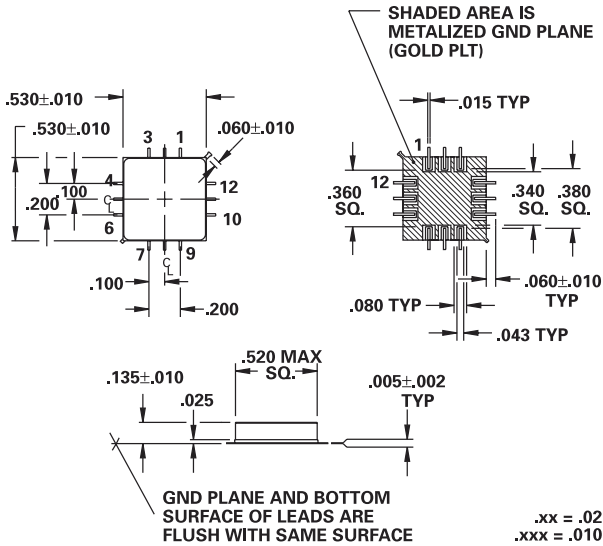
MODEL NUMBER DAT15073

Attenuator 1 Section

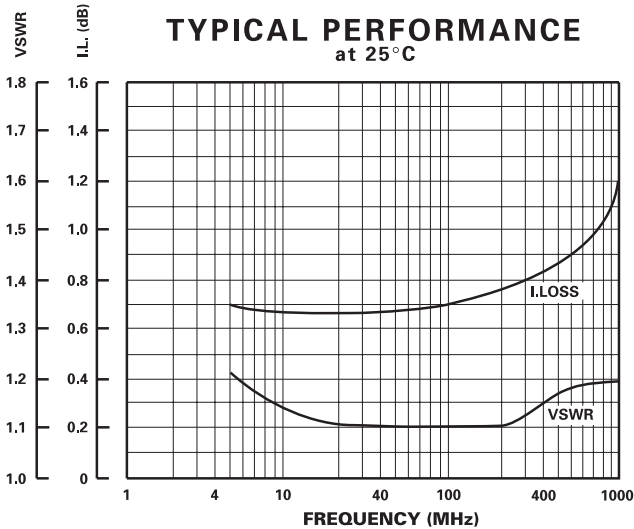
FEATURES

- 200-600 MHz
- Small Size
- Surface Mount
- 0.2mA, 5 Volt

1 BIT



GUARANTEED PERFORMANCE



| Parameter | Min | Typ | Max | Units | Conditions |
|------------------------------|-----|-------|--------|-------|---|
| Operating Frequency | 200 | | 600 | MHz | |
| DC Current | | 0.2 | 1.0 | mA | At +5 VDC Supply |
| Control Type | | CMOS | | | 1 Line Logic "0" = Thru Logic "1" = Attenuation |
| Control Current | | 0 | ±20 | µA | 3 - 5 Volts |
| | | 0 | ±20 | µA | 0 - 0.5 Volts |
| Insertion Loss | | 1.0 | 1.5 | dB | |
| Attenuation | | 0 | 20 | dB | See Table |
| | | | 20 | dB | See Table |
| | | | | dB | ±(0.15 dB +2% of Atten Setting in dB) |
| | | | ±0.2 | dB | |
| VSWR | | 1.1/1 | 1.25/1 | | |
| Impedance | | 50 | | OHMS | |
| Switching Speed | | 20 | 50 | nSec | 50% Control Signal 90% / 10% RF |
| Transition (Rise/Fall) Time | | 10 | | nSec | 90% / 10% or 10% / 90% RF |
| Switching (Video) Transients | | 45 | | mV | Peak Value |
| Intercept Points | | +75 | +80 | dBm | |
| | | +40 | +48 | dBm | |
| RF Power | | +12 | +10 | dBm | 0.1 dB Compression |
| | | | +27 | dBm | |
| Operating Temperature | 0 | +25 | +65 | °C | TA |
| Non-Operating Temperature | -34 | | +95 | °C | TA |