

FEATURES

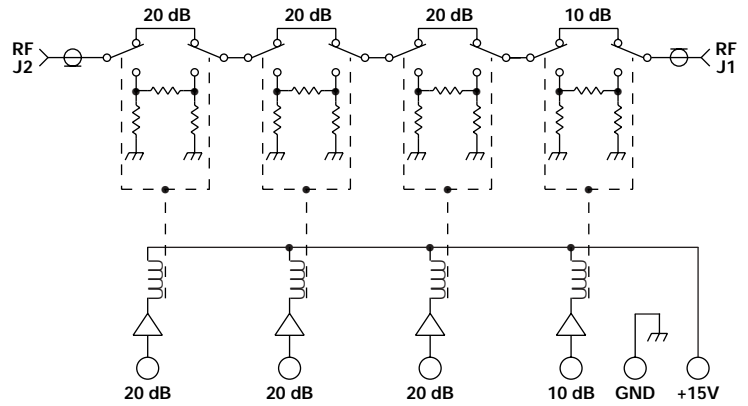
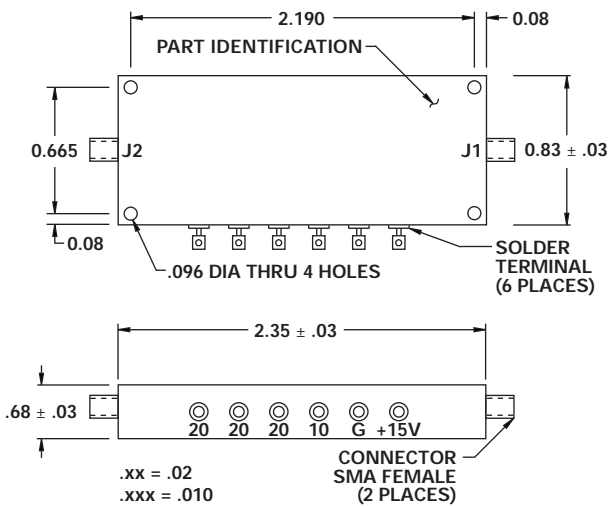
- DC - 2500 MHz
- 10 dB LSB, 70 dB Range
- 1.6 dB Insertion Loss
- TTL Control
- SMA Connectors
- Ideal for Test Equipment Applications
- Available in any Attenuation - Contact Factory



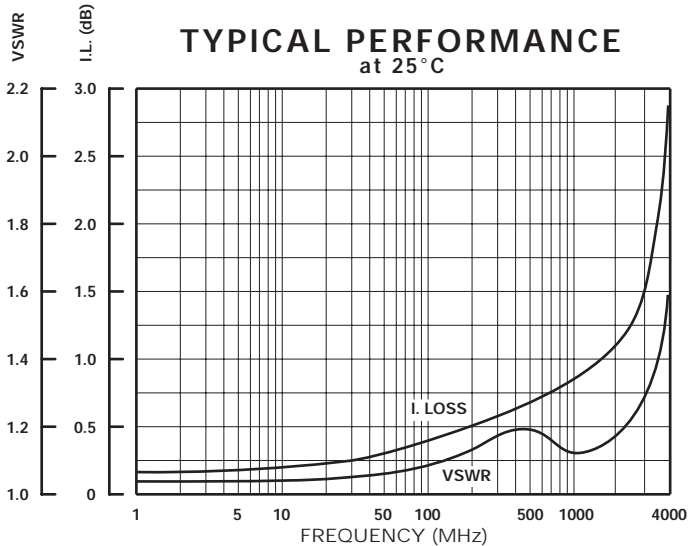
MODEL NO.
DAT49064

Attenuator 4 Section

4 BIT



GUARANTEED PERFORMANCE



Parameter	Min	Typ	Max	Units	Conditions
Operating Frequency	DC		2500	MHz	
DC Current		100	130	mA	At +15 VDC Supply at 70 dB
Control Type		TTL			4 Line Logic "0" = Thru Logic "1" = Attenuation
Insertion Loss		1.6	2.0	dB	
Attenuation		10	70	dB	10, 20, 20, 20
LSB		0.04	±0.1	dB	DC - 2000 MHz
Range		0.2	±0.4	dB	2000 - 2500 MHz
Accuracy (10 dB)		0.1	±0.2	dB	DC - 1000 MHz
(20 dB)		0.2	±0.4	dB	1000 - 2000 MHz
		0.2	±0.8	dB	2000 - 2500 MHz
VSWR		1.3/1	1.4/1		
Impedance		50		OHMS	
Switching Speed			5	mSec	
RF Power		+30		dBm	At +55°C
				dBm	
Operating Temperature	-55	+25	+85	°C	TA