

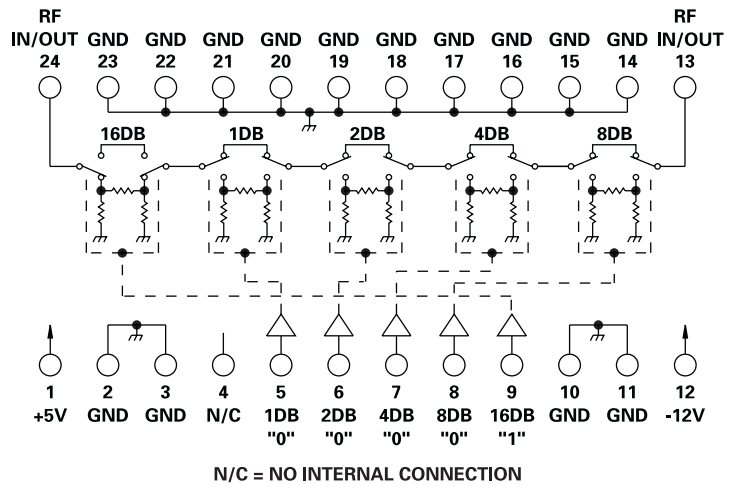
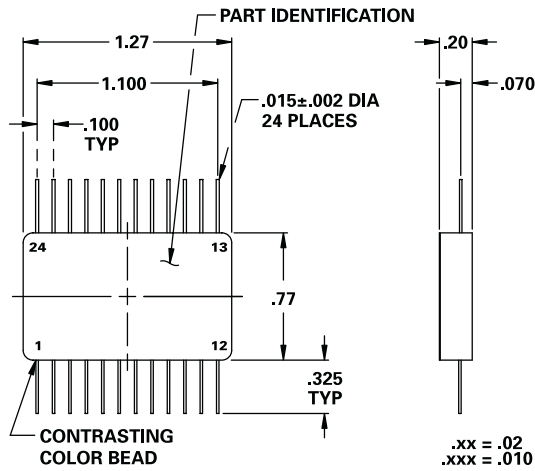
**MODEL NUMBER
DAT58032**

GaAs 5 Section Attenuator

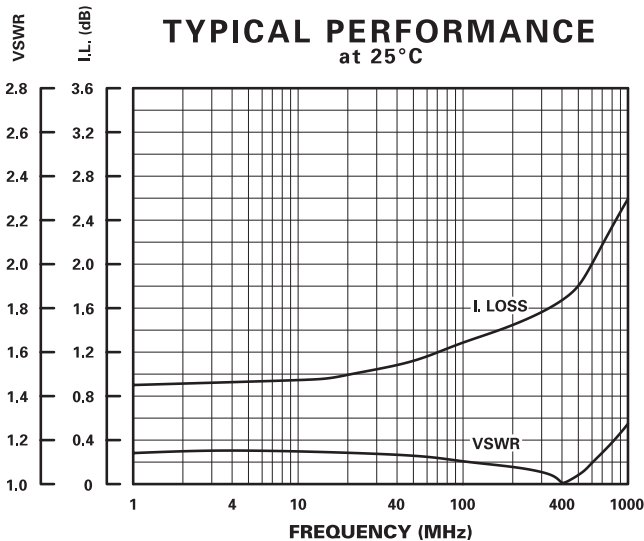
FEATURES

- DC- 500 MHz
- 1 dB LSB, 31 dB Range
- 100 nSec Switching Speed
- 9 mA, +5 VDC
- 14 mA, -12 VDC
- 24 Pin Flatpack
- See DA0953 for 24 Pin DIP

5 BIT



GUARANTEED PERFORMANCE



| Parameter | Min | Typ | Max | Units | Conditions |
|------------------------------|-----------|-------|-------|-------|---|
| Operating Frequency | DC | | 500 | MHz | |
| DC Current | | 9 | 30 | mA | At +5 VDC Supply |
| | | 14 | 25 | mA | At -12 VDC Supply |
| Control Type | | TTL | | | 5 Line Logic "0" = Thru Logic "1" = Attenuation |
| Control Current | High | 0 | ±40 | µA | VIH = +2.0 V |
| | Low | 0 | ±40 | µA | VIL = +0.8 V |
| Insertion Loss | | 1.8 | 3.0 | dB | |
| Attenuation | LSB | 1 | | dB | 1, 2, 4, 8, 16 |
| | Range | | 31 | dB | |
| | Accuracy | | ±1 | dB | |
| VSWR | | 1.4/1 | 1.6/1 | | |
| Impedance | | 50 | | OHMS | |
| Switching Speed | | 100 | 200 | nSec | 50% TTL to 90% / 10% RF |
| Transition (Rise/Fall) Time | | 40 | 100 | nSec | 90% / 10% or 10% / 90% RF |
| Switching (Video) Transients | | | -50 | dBm | In Band, any 5 MHz Band |
| Intercept Points | 3rd | +30 | +45 | dBm | 35 MHz / 50 MHz |
| RF Power | Operate | | +18 | dBm | 1.0 dB Compression |
| | No Damage | | +30 | dBm | |
| Operating Temperature | | -40 | +25 | +90 | °C TA |