

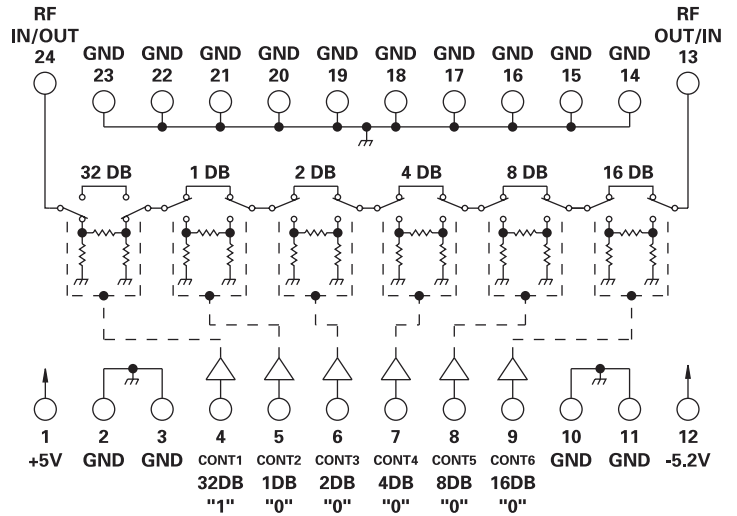
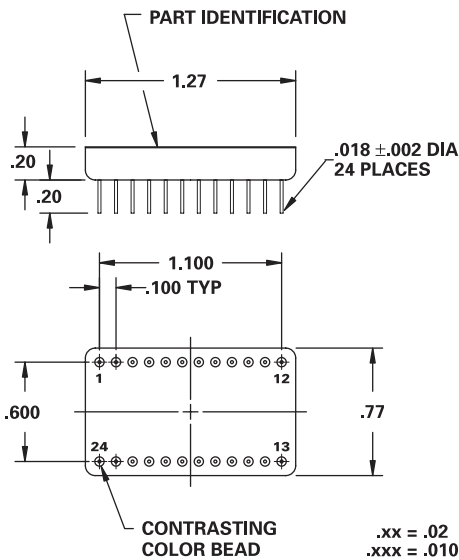
MODEL NUMBER DAT61996

GaAs 6 Section Attenuator

FEATURES

- DC-2000 MHz
- 1 dB LSB, 63 dB Range
- 4.5 dB Insertion Loss
- TTL Control
- 24 Pin DIP

6 BIT



GUARANTEED PERFORMANCE

Parameter	Min	Typ	Max	Units	Conditions
Operating Frequency	DC		2000	MHz	
DC Current		0.4 6.5	5 10	mA	At +5 VDC Supply At -5.2 VDC Supply
Control Type		TTL			6 Line Logic "0" = Thru Logic "1" = Attenuation
Control Current	High Low	1.0 1.0	±10 ±10	µA	V _{IH} = +2.7 V V _{IL} = +0.5 V
Insertion Loss		4.8	6.5	dB	
Attenuation	LSB Range Accuracy	0	1 63	dB dB	1, 2, 4, 8, 16, 32 ± (0.25 dB + 2% of Atten. Setting in dB)
VSWR		1.2/1	1.4/1		
Impedance		50		OHMS	
Switching Speed		140	200	nSec	50% TTL to 90% / 10% RF
Transition (Rise/Fall) Time		10		nSec	90% / 10% or 10% / 90% RF
Switching (Video) Transients		100		mV	Peak Value
Intercept Points	2nd 3rd	+47 +27		dBm dBm	48 MHz 48 MHz
RF Power	Operate No Damage	+14	+10 +27	dBm dBm	1.0 dB Compression
Operating Temperature		-40	+25	+85	°C TA

