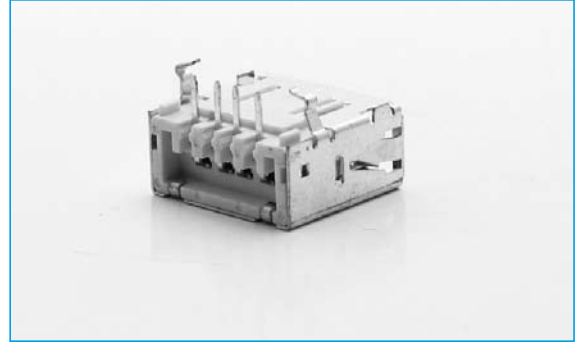


## USB 2.0 CONNECTORS

- 4 position single port right angle socket
- PCB Mount
- Contact plating 30 micro inches min

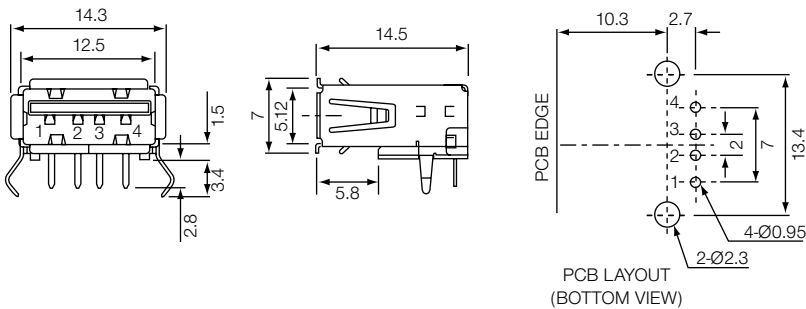
## SINGLE PORT PCB-A



## SPECIFICATION

<b>Contact Resistance:</b>	30mΩ Max
<b>Insulation Resistance:</b>	1000MΩ min. @500VDC
<b>Rated Voltage and Current:</b>	1.5A @250VAC min
<b>Dielectric withstanding voltage:</b>	500VAC (rms) for 1 minute
<b>Durability:</b>	1500 mating cycles
<b>Insertion Force:</b>	35 Newtons max
<b>Extraction Force:</b>	10 Newtons min
<b>Housing:</b>	PBT UL94V-0
<b>Terminal:</b>	Phosphor Bronze
<b>Plating:</b>	30 micro inches gold
<b>Shell:</b>	Brass

## OUTLINE DRAWING



## ORDERING INFORMATION

<b>DBC</b>	<b>USB</b>	<b>2</b>	<b>A</b>	<b>SP</b>	<b>B</b>
Dubilier Connectors	USB	Version	Style	Ports	Mounting Option
				SP = Single Port	Blank = PCB Mount
					B = Black W = White