

**1310 nm DFB LASER DIODE MODULES**  
UNCOOLED MQW DFB LD WITH RECEPTACLE

**DL-3500 SERIES**

**FEATURES**

- ✧ Uncooled Laser Diode with MQW Structure
- ✧ High Reliability, Long Operation Life
- ✧ Single Frequency Operation with High SMSR
- ✧ 0 to 70°C operation without active cooling
- ✧ Build-in InGaAs monitor

**APPLICATION**

Trunk Line, FitL

**DESCRIPTION**

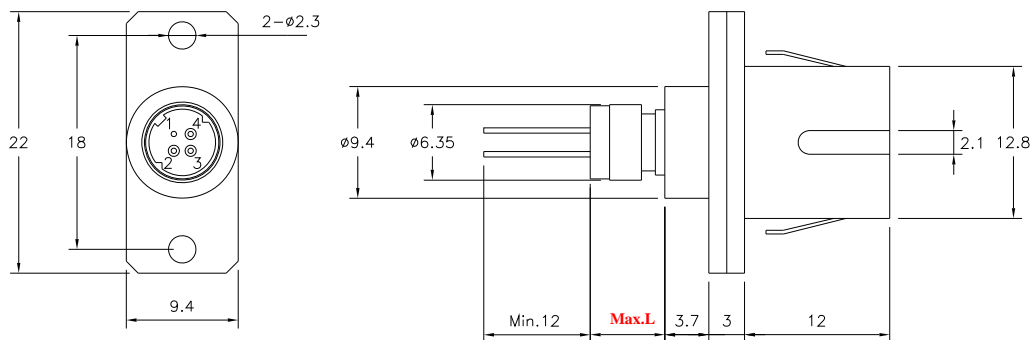
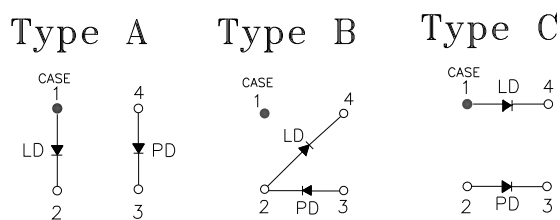
DL-3500 series are designed for coupling a single mode optical fiber with 1310 nm MQW DFB uncooled laser diode. DL-3500 series are the best kits as light sources for telecom and datacom applications.

<b>ELECTRICAL AND OPTICAL CHARACTERISTICS (T<sub>C</sub>=25 °C)</b>						
<b>Symbol</b>	<b>Parameter</b>	<b>Test Conditions</b>	<b>Min.</b>	<b>Typ.</b>	<b>Max.</b>	<b>Unit</b>
I <sub>th</sub>	Threshold Current	CW		10	15	mA
V <sub>OP</sub>	Operating Voltage	CW, I <sub>F</sub> =I <sub>th</sub> +20mA		1.2	1.5	V
P <sub>f</sub>	Optical Output Power Part No:DL-350XX DL-351XX DL-352XX DL-353XX DL-354XX	CW, I <sub>F</sub> =I <sub>th</sub> +20mA	0.2 0.5 1.0 2.0 3.0		0.5 1.0 2.0 3.0 -	mW
λ <sub>c</sub>	Center Wavelength	CW, I <sub>th</sub> +20mA	1290	1310	1330	nm
SMSR	Side Mode Suppression Ratio	CW, I <sub>th</sub> +20mA	30	35		dB
t <sub>r</sub> , t <sub>f</sub>	Rise And Fall Times Part No:DL-35XX DL-35XXS	I <sub>F</sub> =I <sub>th</sub> , I <sub>th</sub> +20mA ,20~80%			226 150	ps
ΔP <sub>f</sub> /P <sub>f</sub>	Tracking Error	APC, 0~+70 °C	-1.5		1.5	dB
I <sub>m</sub>	PD Monitor Current	CW, P <sub>o</sub> =P <sub>f</sub> , V <sub>RD</sub> =1V	100			μA
I <sub>D</sub>	PD Dark Current	V <sub>RD</sub> =5V			0.1	μA
C <sub>t</sub>	PD Capacitance	V <sub>RD</sub> =5V, f=1MHz		10	15	pF

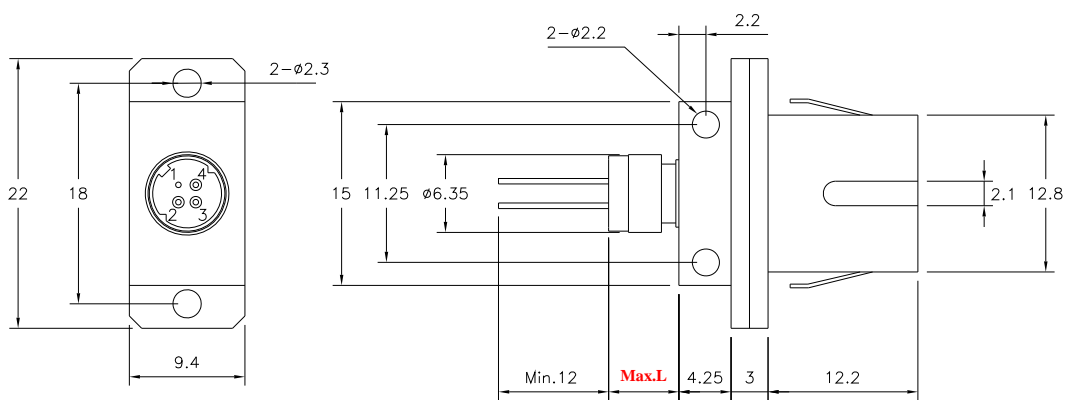
\*\*\*\*\*

ABSOLUTE MAXIMUM RATINGS (T <sub>C</sub> =25 °C)			
Symbol	Parameter	Ratings	Unit
P <sub>o</sub>	Optical Output Power (350XX/351XX/352XX/353XX/354XX)	0.5/1.0/1.5/3/4	mW
V <sub>RL</sub>	LD Reverse Voltage	2	V
V <sub>RD</sub>	PD Reverse Voltage	10	V
I <sub>FD</sub>	PD Forward Current	1.0	mA
T <sub>opr</sub>	Operating Temperature	0 to 70	°C
T <sub>stg</sub>	Storage Temperature	-40~+85	°C

## MECHANICAL DIMENSION (mm) and PIN ASSIGNMENT

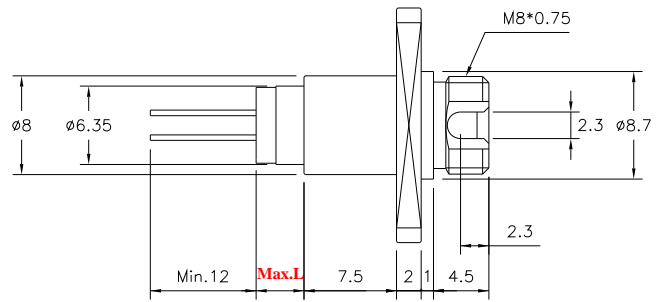
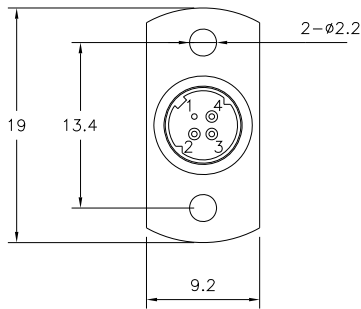


### SC RECEPTACLE (DL-35XXX-SX)

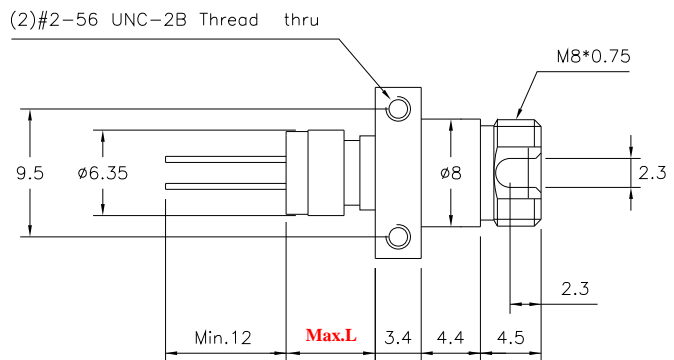
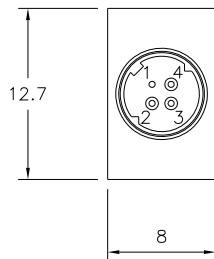


### SC RECEPTACLE (BOARD MOUNT) (DL-35XXX-SBX)

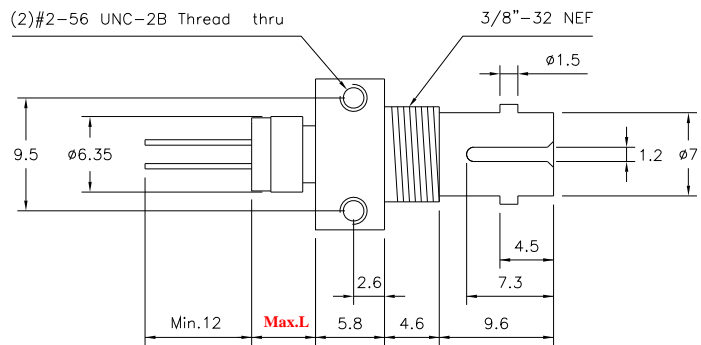
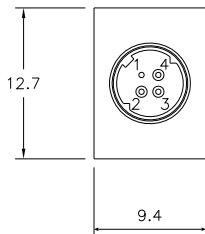
\*\*\*\*\*



**FC RECEPTACLE  
(DL-35XXX-FX)**



**FC RECEPTACLE (BOARD MOUNT)  
(DL-35XXX-FBX)**



**ST RECEPTACLE  
(DL-35XXX-TX)**

P//N	Max. L Dimension				
	S	SB	F	FB	T
350XX-X 351XX-X 352XX-X	3.6	3	1.2	3.9	2.7
350XX-XS 351XX-XS 352XX-XS	7	6.4	4.6	7.3	6.1
353XX-XS 354XX-XS	8.6	8.0	6.2	8.9	7.7
	10.6	10.0	8.2	10.9	9.7

Note: Specifications subject to change without notice.

**OPTOWAY TECHNOLOGY INC.**

No.38, Kuang Fu S. Road, Hu Kou, Hsin Chu Industrial Park, Hsin Chu, Taiwan 303

Tel: 886-3-5979798

Fax: 886-3-5979737

e-mail: sales@optoway.com.tw

http://www.optoway.com.tw

4/15/2009 V3.0

# Optoway

DL-3500

\*\*\*\*\*  
**ORDER INFORMATION**

Part No.: D L - 3 5    -

Code	Pout (mW)
0	0.2
1	0.5
2	1

Code	Speed
Blank	1.25 Gbps
S	2.5 Gbps

Code	Isolator
Blank	No
S	Single-Stage

Code	Pin Assignment
0	Type A
5	Type B
8	Type C

Code	Connector Type
S	SC/PC
SB	SC/PC (Board Mount)
F	FC/PC
FB	FC/PC (Board Mount)
T	ST/PC

Part No.: D L - 3 5    -  **S**

Code	Pout (mW)
3	2
4	3

Code	Speed
Blank	1.25 Gbps
S	2.5 Gbps

Code	Isolator
S	Single-Stage

Code	Pin Assignment
0	Type A
5	Type B
8	Type C

Code	Connector Type
S	SC/PC
SB	SC/PC (Board Mount)
F	FC/PC
FB	FC/PC (Board Mount)
T	ST/PC

\*\*\*\*\*  
Revision History

Version	Subject	Release Date
1.0	Initial datasheet	2003/1/1
2.0	1. Combine 1.25G and 2.5G characteristics in one data sheet 2. Add 3mW products 3. Revise FC RECEPTACLE (BOARD MOUNT) thread thru dim.: M2 => UNC-2B 4. Revise drawing	2007/12/1
3.0	Revise order information	2009/4/15