



DOL-1204-W02MNI

SICK
Sensor Intelligence.



Ordering information

Type	Part no.
DOL-1204-W02MNI	6052614

Other models and accessories → www.sick.com/



Detailed technical data

Technical specifications

Accessory group	Plug connectors and cables				
Accessory family	Connecting cables				
Connection type head A	Female connector, M12, 4-pin, angled				
Connection type head B	Flying leads				
Connection type	Flying leads				
Connector material	PUR				
Connector color	Gray				
Locking nut material	Stainless steel (V4A/1.4404)				
Tightening torque	0.6 Nm				
Cable	2 m, 4-wire, PVC				
Jacket material	PVC				
Jacket color	Gray				
Cable diameter	5 mm				
Conductor cross-section	0.34 mm ²				
Shielding	Unshielded				
Bending radius	<table border="0"> <tr> <td style="padding-right: 20px;">Flexible use</td> <td>> 10 x cable diameter</td> </tr> <tr> <td>Stationary position</td> <td>> 5 x cable diameter</td> </tr> </table>	Flexible use	> 10 x cable diameter	Stationary position	> 5 x cable diameter
Flexible use	> 10 x cable diameter				
Stationary position	> 5 x cable diameter				
Reference voltage	≤ 250 V				
Rated impulse voltage	2.5 kV				
Current loading	4 A				
Application	Hygienic and washdown zones				
Note	<p>This product is generally resistant to chemical cleaning agents (see ECOLAB). Please do not use cleaning agents of any other kind. ¹⁾</p> <p>Not resistant against lactic acid & hydrogen peroxide (H₂O₂) ²⁾</p>				
Authorizations	<p>Ecolab</p> <p>CSA approval</p> <p>UL</p>				

¹⁾ Tested detergent: P3-topactive DES, P3-topax 19, P3-topax 56, P3-topax 66 and P3-topax 99; Insulating material group: Cat I.

²⁾ Insulating material group: Cat I.

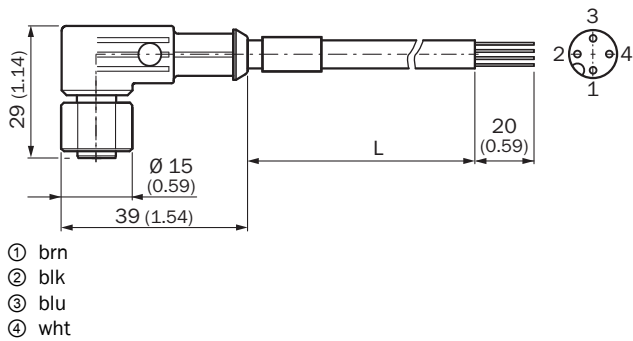
UL File No.	CYJV.E335179
Enclosure rating	IP65/ IP67/ IP69K
Ambient operating temperature	
Flexible use	-5 °C ... +80 °C
Stationary position	-30 °C ... +80 °C
Head	-25 °C ... +85 °C

- 1) Tested detergent: P3-topactive DES, P3-topax 19, P3-topax 56, P3-topax 66 and P3-topax 99; Insulating material group: Cat I.
 2) Insulating material group: Cat I.

Classifications

ECI@ss 5.0	19030312
ECI@ss 5.1.4	19030312
ECI@ss 6.0	27060304
ECI@ss 6.2	27060304
ECI@ss 7.0	27060304
ECI@ss 8.0	27060304
ECI@ss 8.1	27060304
ECI@ss 9.0	27060304
ETIM 5.0	EC000830
ETIM 6.0	EC000830
UNSPSC 16.0901	26121604

Dimensional drawing (Dimensions in mm (inch))



SICK AT A GLANCE

SICK is one of the leading manufacturers of intelligent sensors and sensor solutions for industrial applications. A unique range of products and services creates the perfect basis for controlling processes securely and efficiently, protecting individuals from accidents and preventing damage to the environment.

We have extensive experience in a wide range of industries and understand their processes and requirements. With intelligent sensors, we can deliver exactly what our customers need. In application centers in Europe, Asia and North America, system solutions are tested and optimized in accordance with customer specifications. All this makes us a reliable supplier and development partner.

Comprehensive services complete our offering: SICK LifeTime Services provide support throughout the machine life cycle and ensure safety and productivity.

For us, that is “Sensor Intelligence.”

WORLDWIDE PRESENCE:

Contacts and other locations –www.sick.com