

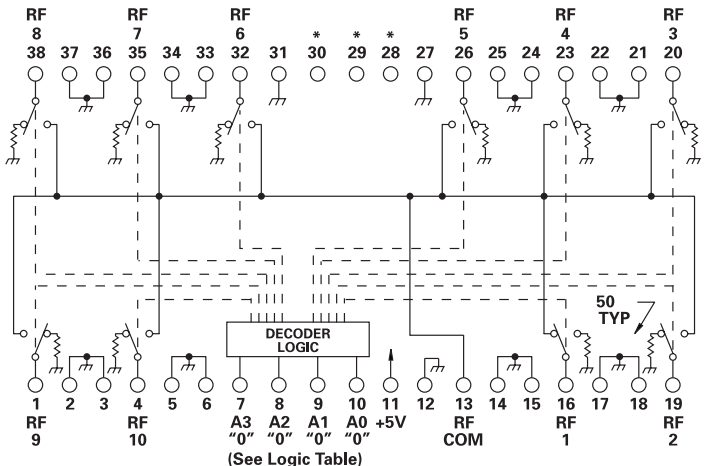
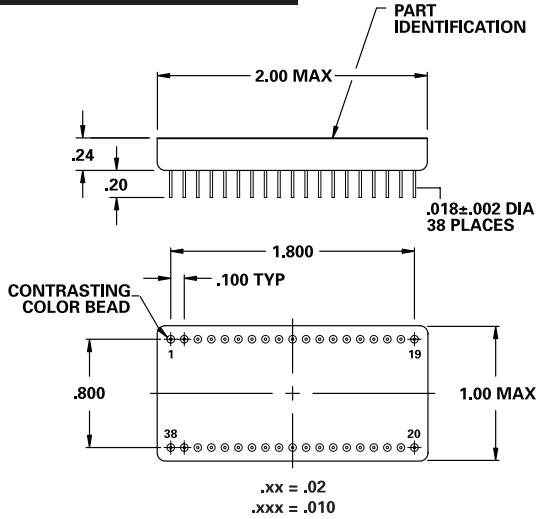
**MODEL NUMBER  
DS0820**

**PIN Diode SP10T**

**FEATURES**

- 10- 1500 MHz
- 15 mA, +5 VDC
- TTL Driver
- Non-Reflective

**SP10T**



7	8	9	10	PIN
A3	A2	A1	A0	FUNCTION
0	0	0	0	RF1 to RF COM
0	0	0	1	RF2
0	0	1	0	RF3
0	0	1	1	RF4
0	1	0	0	RF5
0	1	0	1	RF6
0	1	1	0	RF7
0	1	1	1	RF8
1	0	0	0	RF9
1	0	0	1	RF10 to RF COM
1	0	1	0	INVALID
1	1	1	1	

\* = No Internal Connection (3 Places)  
Ground PINS = 2, 3, 5, 6, 12, 14, 15, 17, 18, 21, 22, 24, 25, 27, 31, 33, 34, 36, 37

**GUARANTEED PERFORMANCE**

Parameter	Min	Typ	Max	Units	Conditions
Operating Frequency	10		1500	MHz	
DC Current		15	35	mA	At +5 VDC Supply
Control Type		TTL			4 Line, See Logic Table
Control Current		0		μA	VIH = +2.7 V
		0		μA	VIL = +0.5 V
Insertion Loss		0.95	1.5	dB	10 - 500 MHz
		1.6	2.0	dB	500 - 1500 MHz
Isolation	40	46		dB	10 - 1000 MHz
	35	42		dB	1000 - 1500 MHz
VSWR		1.3/1	1.5/1		10 - 1500 MHz
		1.1/1	1.5/1		10 - 500 MHz
		1.4/1	2.0/1		500 - 1500 MHz
Impedance		50		OHMS	
Switching Speed		3.0	5.0	μSEC	
Transition (Rise/Fall) Time		1.0		μSEC	90% / 10% or 10% / 90% RF
Switching (Video) Transients		640		mV	Peak Value
Intercept Points		+64		dBm	70 MHz / 50 MHz
		+35		dBm	35 MHz / 50 MHz
RF Power		+11	+5	dBm	10 - 50 MHz 0.1 dB Comp.
		+18	+13	dBm	50 - 1500 MHz 0.1 dB Comp.
		+27		dBm	
Operating Temperature	-55	+25	+125	°C	TA

