

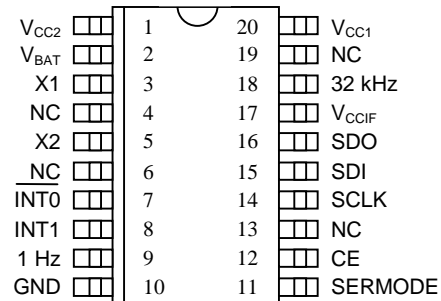
FEATURES

- Real time clock counts seconds, minutes, hours, date of the month, month, day of the week, and year with leap year compensation valid up to 2100
- 96-byte nonvolatile RAM for data storage
- Two Time of Day Alarms - programmable on combination of seconds, minutes, hours, and day of the week
- 1 Hz and 32.768 kHz clock outputs
- Serial interface supports Motorola Serial Peripheral Interface (SPI) serial data ports or standard 3-wire interface
- Burst Mode for reading/writing successive addresses in clock/RAM
- Dual power supply pins for primary and backup power supplies
- Optional trickle charge output to backup supply
- 2.0 - 5.5V operation
- Optional industrial temperature range -40°C to +85°C
- Available in space-efficient 20-pin TSSOP package
- Recognized by Underwriters Laboratory

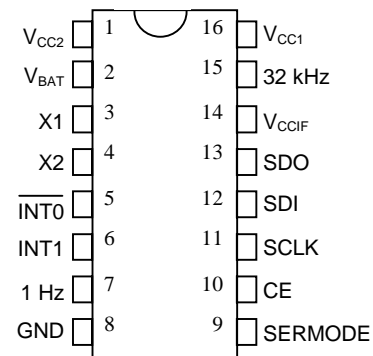
ORDERING INFORMATION

DS1306	16-Pin DIP
DS1306N	16-Pin DIP (Industrial)
DS1306E	20-Pin TSSOP
DS1306EN	20-Pin TSSOP (Industrial)

PIN ASSIGNMENT



DS1306 20-Pin TSSOP (173 mil)



DS1306 16-Pin DIP (300 mil)

PIN DESCRIPTION

V _{CC1}	– Primary Power Supply
V _{CC2}	– Backup Power Supply
V _{BAT}	– +3V Battery Input
V _{CCIF}	– Interface Logic Power Supply Input
GND	– Ground
X1, X2	– 32.768 kHz Crystal Connection
INT0	– Interrupt 0 Output
INT1	– Interrupt 1 Output
SDI	– Serial Data In
SDO	– Serial Data Out
CE	– Chip Enable
SCLK	– Serial Clock
SERMODE	– Serial Interface Mode
1 Hz	- 1 Hz Output
32 kHz	- 32.768 kHz Output

DESCRIPTION

The DS1306 Serial Alarm Real Time Clock provides a full BCD clock calendar which is accessed via a simple serial interface. The clock/calendar provides seconds, minutes, hours, day, date, month, and year information. The end of the month date is automatically adjusted for months with less than 31 days, including corrections for leap year. The clock operates in either the 24-hour or 12-hour format with AM/PM indicator. In addition 96 bytes of nonvolatile RAM are provided for data storage.

An interface logic power supply input pin (V_{CCIF}) allows the DS1306 to drive SDO and 32 kHz pins to a level that is compatible with the interface logic. This allows an easy interface to 3-volt logic in mixed supply systems. The DS1306 offers dual power supplies as well as a battery input pin. The dual power supplies support a programmable trickle charge circuit which allows a rechargeable energy source (such as a super cap or rechargeable battery) to be used for a backup supply. The V_{BAT} pin allows the device to be backed up by a non-rechargeable battery. The DS1306 is fully operational from 2.0 to 5.5 volts.

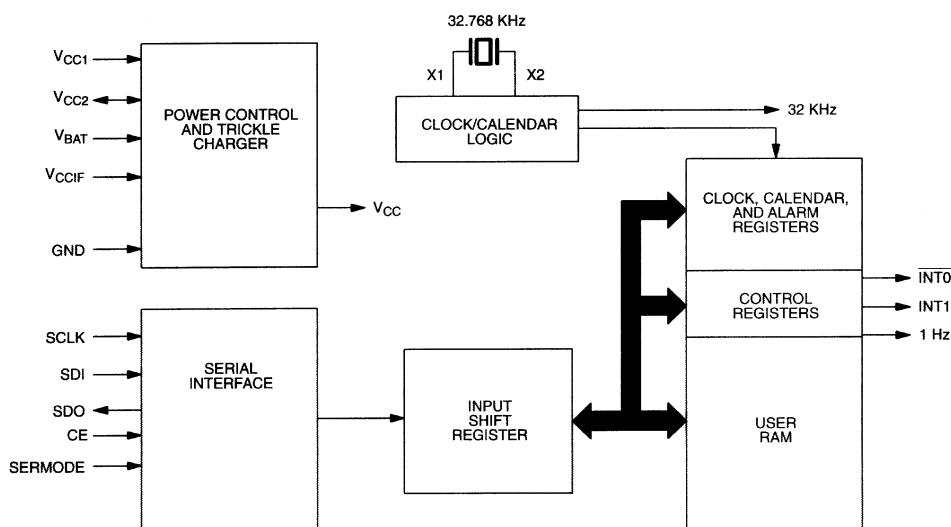
Two programmable time of day alarms are provided by the DS1306. Each alarm can generate an interrupt on a programmable combination of seconds, minutes, hours, and day. “Don’t care” states can be inserted into one or more fields if it is desired for them to be ignored for the alarm condition. A 1 Hz and a 32 kHz clock output are also available.

The DS1306 supports a direct interface to Motorola SPI serial data ports or standard 3-wire interface. An easy-to-use address and data format is implemented in which data transfers can occur 1 byte at a time or in multiple-byte burst mode.

OPERATION

The block diagram in Figure 1 shows the main elements of the Serial Alarm RTC. The following paragraphs describe the function of each pin.

DS1306 BLOCK DIAGRAM Figure 1



SIGNAL DESCRIPTIONS

V_{CC1} - DC power is provided to the device on this pin. V_{CC1} is the primary power supply.

V_{CC2} - This is the secondary power supply pin. In systems using the trickle charger, the rechargeable energy source is connected to this pin.

V_{BAT} - Battery input for any standard 3-volt lithium cell or other energy source.

V_{CCIF} (Interface Logic Power Supply Input) - The V_{CCIF} pin allows the DS1306 to drive SDO and 32 kHz output pins to a level that is compatible with the interface logic, thus allowing an easy interface to 3-volt logic in mixed supply systems. This pin is physically connected to the source connection of the p-channel transistors in the output buffers of the SDO and 32 kHz pins.

SERMODE (Serial Interface Mode Input) - The SERMODE pin offers the flexibility to choose between two serial interface modes. When connected to GND, standard 3-wire communication is selected. When connected to V_{CC}, Motorola SPI communication is selected.

SCLK (Serial Clock Input) - SCLK is used to synchronize data movement on the serial interface for either the SPI or 3-wire interface.

SDI (Serial Data Input) - When SPI communication is selected, the SDI pin is the serial data input for the SPI bus. When 3-wire communication is selected, this pin must be tied to the SDO pin (the SDI and SDO pins function as a single I/O pin when tied together).

SDO (Serial Data Output) - When SPI communication is selected, the SDO pin is the serial data output for the SPI bus. When 3-wire communication is selected, this pin must be tied to the SDI pin (the SDI and SDO pins function as a single I/O pin when tied together).

CE (Chip Enable) - The Chip Enable signal must be asserted high during a read or a write for both 3-wire and SPI communication. This pin has an internal 55k pull-down resistor (typical).

$\overline{\text{INT0}}$ (Interrupt 0 Output) - The $\overline{\text{INT0}}$ pin is an active low output of the DS1306 that can be used as an interrupt input to a processor. The $\overline{\text{INT0}}$ pin can be programmed to be asserted by Alarm 0. The $\overline{\text{INT0}}$ pin remains low as long as the status bit causing the interrupt is present and the corresponding interrupt enable bit is set. The $\overline{\text{INT0}}$ pin operates when the DS1306 is powered by V_{CC1}, V_{CC2}, or V_{BAT}. The $\overline{\text{INT0}}$ pin is an open drain output and requires an external pullup resistor.

1 Hz (1 Hz Clock Output) - The 1 Hz pin provides a 1 Hz squarewave output. This output is active when the 1 Hz bit in the control register is a logic 1.

Both $\overline{\text{INT0}}$ and 1 Hz pins are open drain outputs. The interrupt, 1 Hz signal, and the internal clock continue to run regardless of the level of V_{CC} (as long as a power source is present).

INT1 (Interrupt 1 Output) - The INT1 pin is an active high output of the DS1306 that can be used as an interrupt input to a processor. The INT1 pin can be programmed to be asserted by alarm 1. When an alarm condition is present, the INT1 pin generates a 62.5 ms active high pulse. The INT1 pin operates only when the DS1306 is powered by V_{CC2} or V_{BAT}. When active, the INT1 pin is internally pulled up to V_{CC2} or V_{BAT}. When inactive, the INT1 pin is internally pulled low.

32 kHz (32.768 kHz Clock Output) - The 32 kHz pin provides a 32.768 kHz output. This signal is always present.

X1, X2 - Connections for a standard 32.768 kHz quartz crystal. The internal oscillator is designed for operation with a crystal having a specified load capacitance of 6 pF. For more information on crystal selection and crystal layout considerations, please consult Application Note 58, “Crystal Considerations with Dallas Real Time Clocks.” The DS1306 can also be driven by an external 32.768 kHz oscillator. In this configuration, the X1 pin is connected to the external oscillator signal and the X2 pin is floated.

RTC AND RAM ADDRESS MAP

The address map for the RTC and RAM registers of the DS1306 is shown in Figure 2. Data is written to the RTC by writing to address locations 80h to 9Fh and is written to the RAM by writing to address locations A0h to FFh. RTC data is read by reading address locations 00h to 1Fh and RAM data is read by reading address locations 20h to 7Fh.

ADDRESS MAP Figure 2

00H	CLOCK/CALENDAR
1FH	READ ADDRESSES ONLY
20H	96-BYTES USER RAM
7FH	READ ADDRESSES ONLY
80H	CLOCK/CALENDAR
9FH	WRITE ADDRESSES ONLY
A0H	96-BYTES USER RAM
FFH	WRITE ADDRESSES ONLY

CLOCK, CALENDAR, AND ALARM

The time and calendar information is obtained by reading the appropriate register bytes. The real time clock registers are illustrated in Figure 3. The time, calendar, and alarm are set or initialized by writing the appropriate register bytes. Note that some bits are set to 0. These bits will always read 0 regardless of how they are written. Also note that registers 12h to 1Fh (read) and registers 92h to 9Fh are reserved. These registers will always read 0 regardless of how they are written. The contents of the time, calendar, and alarm registers are in the Binary-Coded Decimal (BCD) format.

RTC REGISTERS Figure 3

RTC REGISTERS DS1306

HEX ADDRESS		Bit7	Bit6	Bit5	Bit4	Bit3	Bit2	Bit1	Bit0	RANGE	
READ	WRITE										
00H	80H	0	10 SEC			SEC				00-59	
01H	81H	0	10 MIN			MIN				00-59	
02H	82H	0	12/2 4	10	10 HR	HOURS				01-12 + P/A	
				P/A						00-23	
03H	83H	0	0	0	0	0	DAY			01-07	
04H	84H	0	0	10 DATE		DATE				1-31	
05H	85H	0	0	10 MONTH		MONTH				01-12	
06H	86H	10 YEAR			YEAR					00-99	
Alarm 0											
07H	87H	M	10 SEC ALARM			SEC ALARM				00-59	
08H	88H	M	10 MIN ALARM			MIN ALARM				00-59	
09H	89H	M	12/2 4	10	10 HR	HOUR ALARM				01-12 + P/A	
				P/A						00-23	
0AH	8AH	M	0	0	0	0	DAY ALARM			01-07	
Alarm 1											
0BH	8BH	M	10 SEC ALARM			SEC ALARM				00-59	
0CH	8CH	M	10 MIN ALARM			MIN ALARM				00-59	
0DH	8DH	M	12/2 4	10	10 HR	HOUR ALARM				01-12 + P/A	
				P/A						00-23	
0EH	8EH	M	0	0	0	0	DAY ALARM			01-07	
CONTROL REGISTER											
0FH	8FH										
STATUS REGISTER											
10H	90H										
TRICKLE CHARGER REGISTER											
11H	91H										
RESERVED											
12-1FH	92-9FH										

NOTE:

Range for alarm registers does not include mask 'm' bits.

The DS1306 can be run in either 12-hour or 24-hour mode. Bit 6 of the hours register is defined as the 12- or 24-hour mode select bit. When high, the 12-hour mode is selected. In the 12-hour mode, bit 5 is the AM/PM bit with logic high being PM. In the 24-hour mode, bit 5 is the second 10-hour bit (20-23 hours).

The DS1306 contains two time of day alarms. Time of Day Alarm 0 can be set by writing to registers 87h to 8Ah. Time of Day Alarm 1 can be set by writing to registers 8Bh to 8Eh. Bit 7 of each of the time of day alarm registers are mask bits (Table 1). When all of the mask bits are logic 0, a time of day alarm will only occur once per week when the values stored in timekeeping registers 00h to 03h match the values stored in the time of day alarm registers. An alarm will be generated every day when bit 7 of the day alarm register is set to a logic 1. An alarm will be generated every hour when bit 7 of the day and hour alarm registers is set to a logic 1. Similarly, an alarm will be generated every minute when bit 7 of the day, hour, and minute alarm registers is set to a logic 1. When bit 7 of the day, hour, minute, and seconds alarm registers is set to a logic 1, an alarm will occur every second.

TIME OF DAY ALARM MASK BITS Table 1

ALARM REGISTER MASK BITS (BIT 7)				
SECONDS	MINUTES	HOURS	DAYS	
1	1	1	1	Alarm once per second
0	1	1	1	Alarm when seconds match
0	0	1	1	Alarm when minutes and seconds match
0	0	0	1	Alarm when hours, minutes, and seconds match
0	0	0	0	Alarm when day, hours, minutes, and seconds match

SPECIAL PURPOSE REGISTERS

The DS1306 has three additional registers (Control Register, Status Register, and Trickle Charger Register) that control the real time clock, interrupts, and trickle charger.

CONTROL REGISTER (READ 0FH, WRITE 8FH)

BIT7	BIT6	BIT5	BIT4	BIT3	BIT2	BIT1	BIT0
0	WP	0	0	0	1 Hz	AIE1	AIE0

WP (Write Protect) - Before any write operation to the clock or RAM, this bit must be logic 0. When high, the write protect bit prevents a write operation to any register, including bits 0, 1, and 2 of the control register. Upon initial power up, the state of the WP bit is undefined. Therefore the WP bit should be cleared before attempting to write to the device.

1 Hz (1 Hz output enable) - This bit controls the 1 Hz output. When this bit is a logic 1, the 1 Hz output is enabled. When this bit is a logic 0, the 1 Hz output is high Z.

AIE0 (Alarm Interrupt Enable 0) - When set to a logic 1, this bit permits the Interrupt 0 Request Flag (IRQF0) bit in the status register to assert $\overline{INT0}$. When the AIE0 bit is set to logic 0, the IRQF0 bit does not initiate the $\overline{INT0}$ signal.

AIE1 (Alarm Interrupt Enable 1) - When set to a logic 1, this bit permits the Interrupt 1 Request Flag (IRQF1) bit in the status register to assert INT1. When the AIE1 bit is set to logic 0, the IRQF1 bit does not initiate an interrupt signal, and the INT1 pin is set to a logic 0 state.

STATUS REGISTER (READ 10H)

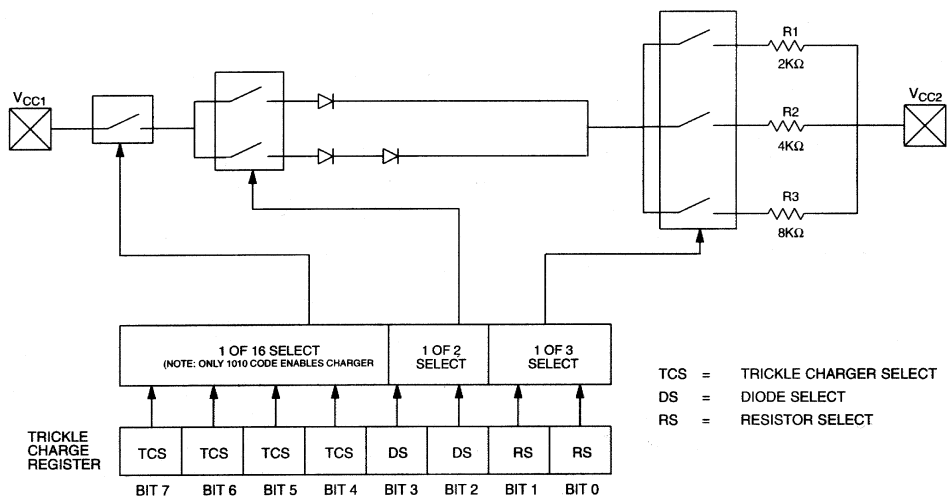
BIT7	BIT6	BIT5	BIT4	BIT3	BIT2	BIT1	BIT0
0	0	0	0	0	0	IRQF1	IRQF0

IRQF0 (Interrupt 0 Request Flag) - A logic 1 in the Interrupt Request Flag bit indicates that the current time has matched the Alarm 0 registers. If the AIE0 bit is also a logic 1, the $\overline{\text{INT0}}$ pin will go low. IRQF0 is cleared when any of the Alarm 0 registers are read or written.

IRQF1 (Interrupt 1 Request Flag) - A logic 1 in the Interrupt Request Flag bit indicates that the current time has matched the Alarm 1 registers. If the AIE1 bit is also a logic 1, the INT1 pin will generate a 62.5- ms active high pulse. IRQF1 is cleared when any of the Alarm 1 registers are read or written.

TRICKLE CHARGE REGISTER (READ 11H, WRITE 91H)

This register controls the trickle charge characteristics of the DS1306. The simplified schematic of Figure 4 shows the basic components of the trickle charger. The trickle charge select (TCS) bits (bits 4-7) control the selection of the trickle charger. In order to prevent accidental enabling, only a pattern of 1010 will enable the trickle charger. All other patterns will disable the trickle charger. The DS1306 powers up with the trickle charger disabled. The diode select (DS) bits (bits 2-3) select whether one diode or two diodes are connected between V_{CC1} and V_{CC2} . If DS is 01, one diode is selected. If DS is 10, two diodes are selected. If DS is 00 or 11, the trickle charger is disabled independently of TCS. The RS bits select the resistor that is connected between V_{CC1} and V_{CC2} . The resistor is selected by the resistor select (RS) bits as shown in Table 2.

PROGRAMMABLE TRICKLE CHARGER Figure 4

TRICKLE CHARGER RESISTOR SELECT Table 2

RS BITS	RESISTOR	TYPICAL VALUE
00	None	None
01	R1	2 kΩ
10	R2	4 kΩ
11	R3	8 kΩ

If RS is 00, the trickle charger is disabled independently of TCS.

Diode and resistor selection is determined by the user according to the maximum current desired for battery or super cap charging. The maximum charging current can be calculated as illustrated in the following example. Assume that a system power supply of 5 volts is applied to V_{CC1} and a super cap is connected to V_{CC2} . Also assume that the trickle charger has been enabled with one diode and resistor R1 between V_{CC1} and V_{CC2} . The maximum current I_{MAX} would therefore be calculated as follows:

$$\begin{aligned} I_{MAX} &= (5.0V - \text{diode drop})/R1 \\ &\sim (5.0V - 0.7V)/2 \text{ k}\Omega \\ &\sim 2.2 \text{ mA} \end{aligned}$$

Obviously, as the super cap charges, the voltage drop between V_{CC1} and V_{CC2} will decrease and therefore the charge current will decrease.

POWER CONTROL

Power is provided through the V_{CC1} , V_{CC2} , and V_{BAT} pins. Three different power supply configurations are illustrated in Figure 5. Configuration 1 shows the DS1306 being backed up by a non-rechargeable energy source such as a lithium battery. In this configuration, the system power supply is connected to V_{CC1} and V_{CC2} is grounded. The DS1306 will be write-protected if V_{CC1} is less than V_{BAT} .

Configuration 2 illustrates the DS1306 being backed up by a rechargeable energy source. In this case, the V_{BAT} pin is grounded, V_{CC1} is connected to the primary power supply, and V_{CC2} is connected to the secondary supply (the rechargeable energy source). The DS1306 will operate from the larger of V_{CC1} or V_{CC2} . When V_{CC1} is greater than $V_{CC2} + 0.2$ volt (typical), V_{CC1} will power the DS1306. When V_{CC1} is less than V_{CC2} , V_{CC2} will power the DS1306. The DS1306 does not write-protect itself in this configuration.

Configuration 3 shows the DS1306 in battery operate mode where the device is powered only by a single battery. In this case, the V_{CC1} and V_{BAT} pins are grounded and the battery is connected to the V_{CC2} pin.

Only these three configurations are allowed. Unused supply pins must be grounded.

SERIAL INTERFACE

The DS1306 offers the flexibility to choose between two serial interface modes. The DS1306 can communicate with the SPI interface or with a standard 3-wire interface. The interface method used is determined by the SERMODE pin. When this pin is connected to V_{CC} , SPI communication is selected. When this pin is connected to ground, standard 3-wire communication is selected.

SERIAL PERIPHERAL INTERFACE (SPI)

The serial peripheral interface (SPI) is a synchronous bus for address and data transfer and is used when interfacing with the SPI bus on specific Motorola microcontrollers such as the 68HC05C4 and the 68HC11A8. The SPI mode of serial communication is selected by tying the SERMODE pin to V_{CC} .

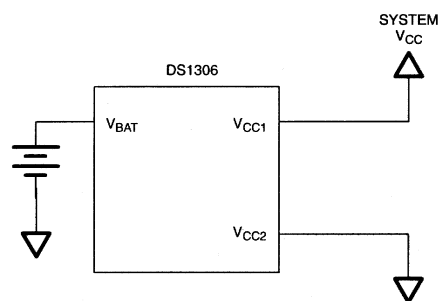
Four pins are used for the SPI. The four pins are the SDO (Serial Data Out), SDI (Serial Data In), CE (Chip Enable), and SCLK (Serial Clock). The DS1306 is the slave device in an SPI application, with the microcontroller being the master.

The SDI and SDO pins are the serial data input and output pins for the DS1306, respectively. The CE input is used to initiate and terminate a data transfer. The SCLK pin is used to synchronize data movement between the master (microcontroller) and the slave (DS1306) devices.

The shift clock (SCLK), which is generated by the microcontroller, is active only during address and data transfer to any device on the SPI bus. The inactive clock polarity is programmable in some microcontrollers. The DS1306 offers an important feature in that the level of the inactive clock is determined by sampling SCLK when CE becomes active. Therefore either SCLK polarity can be accommodated. Input data (SDI) is latched on the internal strobe edge and output data (SDO) is shifted out on the shift edge (see Table 3 and Figure 6). There is one clock for each bit transferred. Address and data bits are transferred in groups of eight.

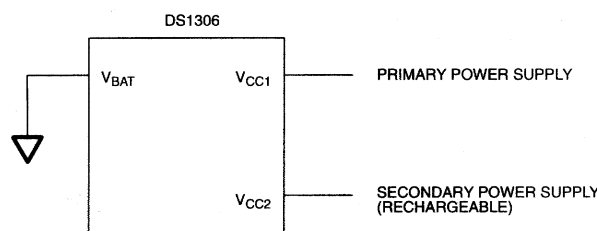
POWER SUPPLY CONFIGURATIONS FOR THE DS1306 Figure 5

Configuration 1: Backup Supply is a Non-Rechargeable Lithium Battery



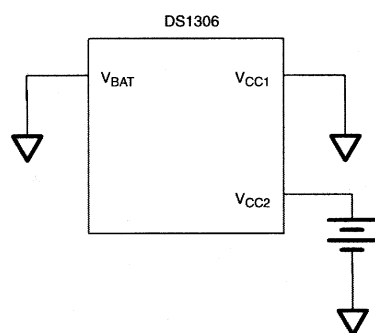
Note: Device is write protected if $V_{CC} < V_{BAT}$.

Configuration 2: Backup Supply is a Rechargeable Battery or Super Capacitor

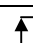





Note: Device does not provide automatic write protection.

Configuration 3: Battery Operate Mode



FUNCTION TABLE Table 3

MODE	CE	SCLK	SDI	SDO
Disable Reset	L	Input Disabled	Input Disabled	High Z
Write	H	CPOL=1* 	Data Bit Latch	High Z
		CPOL=0 		
Read	H	CPOL=1 	X	Next data bit shift**
		CPOL=0 		

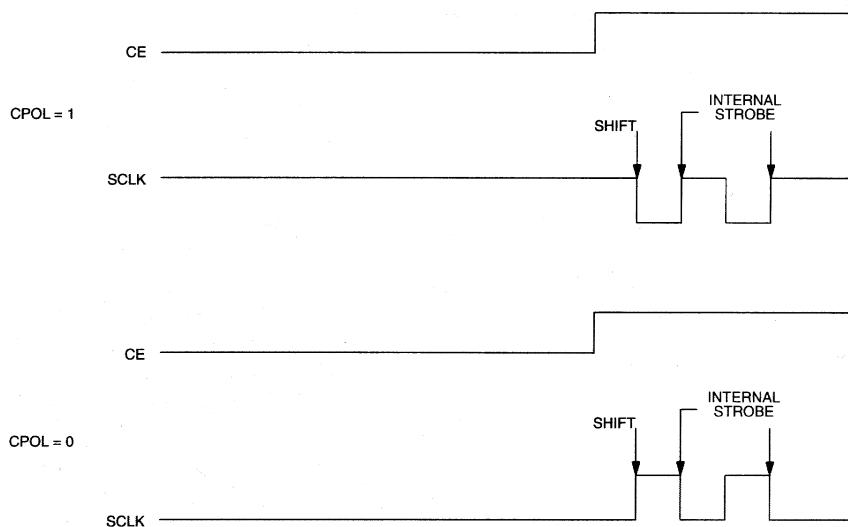
* CPOL is the “Clock Polarity” bit that is set in the control register of the microcontroller.

** SDO remains at High Z until 8 bits of data are ready to be shifted out during a read.

NOTE:

CPHA bit polarity (if applicable) may need to be set accordingly.

SERIAL CLOCK AS A FUNCTION OF MICROCONTROLLER CLOCK POLARITY (CPOL) Figure 6

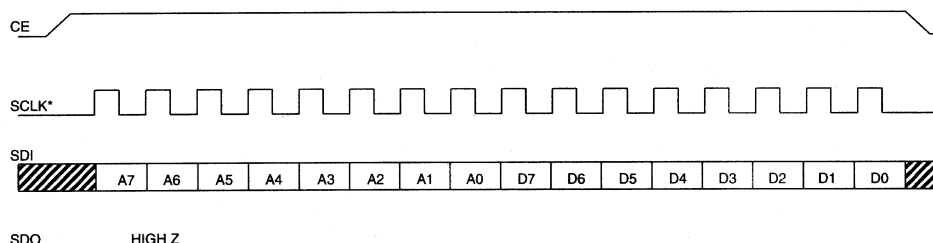


NOTE: CPOL is a bit that is set in the microcontroller's Control Register.

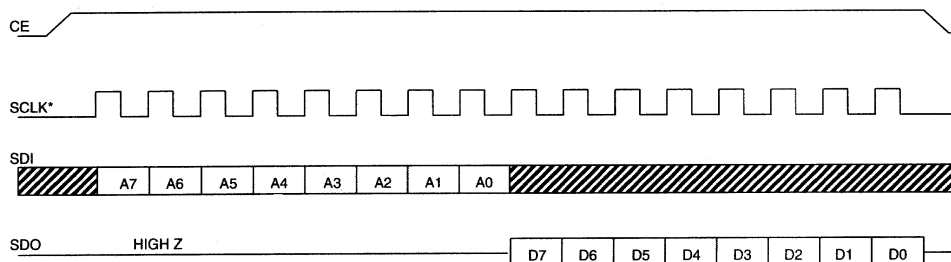
ADDRESS AND DATA BYTES

Address and data bytes are shifted MSB first into the serial data input (SDI) and out of the serial data output (SDO). Any transfer requires the address of the byte to specify a write or read to either a RTC or RAM location, followed by 1 or more bytes of data. Data is transferred out of the SDO for a read operation and into the SDI for a write operation (see figures 7 and 8).

SPI SINGLE-BYTE WRITE Figure 7



SPI SINGLE-BYTE READ Figure 8

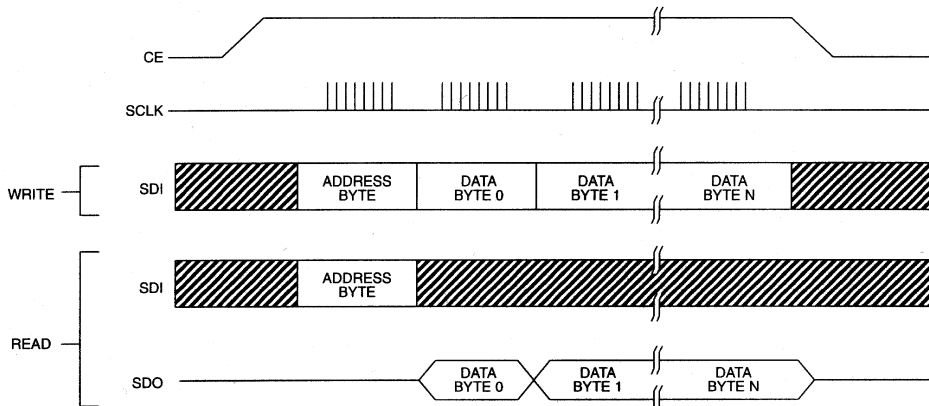


* SCLK can be either polarity.

The address byte is always the first byte entered after CE is driven high. The most significant bit (A7) of this byte determines if a read or write will take place. If A7 is 0, one or more read cycles will occur. If A7 is 1, one or more write cycles will occur.

Data transfers can occur 1 byte at a time or in multiple-byte burst mode. After CE is driven high an address is written to the DS1306. After the address, 1 or more data bytes can be written or read. For a single-byte transfer 1 byte is read or written and then CE is driven low. For a multiple-byte transfer, however, multiple bytes can be read or written to the DS1306 after the address has been written. Each read or write cycle causes the RTC register or RAM address to automatically increment. Incrementing continues until the device is disabled. When the RTC is selected, the address wraps to 00h after incrementing to 1Fh (during a read) and wraps to 80h after incrementing to 9Fh (during a write). When the RAM is selected, the address wraps to 20h after incrementing to 7Fh (during a read) and wraps to A0h after incrementing to FFh (during a write).

SPI MULTIPLE-BYTE BURST TRANSFER Figure 9



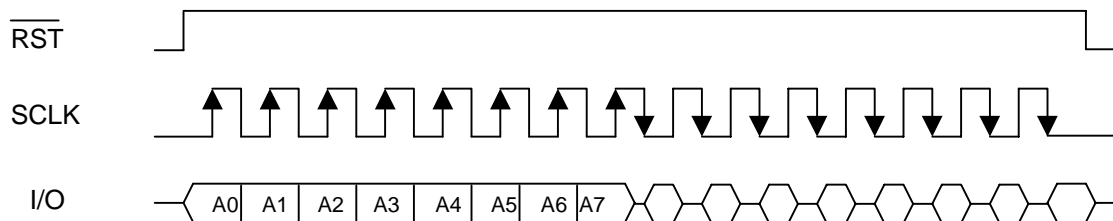
3-WIRE INTERFACE

The 3-wire interface mode operates similar to the SPI mode. However, in 3-wire mode there is one I/O instead of separate data in and data out signals. The 3-wire interface consists of the I/O (SDI and SDO pins tied together), CE, and SCLK pins. In 3-wire mode, each byte is shifted in LSB first unlike SPI mode where each byte is shifted in MSB first.

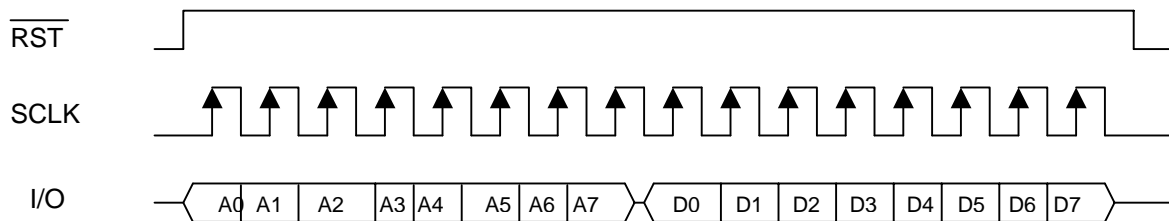
As is the case with the SPI mode, an address byte is written to the device followed by a single data byte or multiple data bytes. Figure 10 illustrates a read and write cycle. In 3-wire mode, data is input on the rising edge of SCLK and output on the falling edge of SCLK.

3-WIRE SINGLE BYTE TRANSFER Figure 10

SINGLE BYTE READ



SINGLE BYTE WRITE



I/O is SDI and SDO tied together

In burst mode, $\overline{\text{RST}}$ is kept high and additional SCLK cycles are sent until the end of the burst.

ABSOLUTE MAXIMUM RATINGS*

Voltage on Any Pin Relative to Ground	-0.5V to +7.0V
Operating Temperature	0°C to 70°C or -40°C to +85°C for Industrial (IND)
Storage Temperature	-55°C to +125°C
Soldering Temperature	260°C for 10 seconds (DIP)
	See IPC/JEDEC Standard J-STD-020A for Surface Mount Devices

* This is a stress rating only and functional operation of the device at these or any other conditions above those indicated in the operation sections of this specification is not implied. Exposure to absolute maximum rating conditions for extended periods of time may affect reliability.

RECOMMENDED DC OPERATING CONDITIONS

(0°C to 70°C or -40° to +85°C)

PARAMETER	SYMBOL	MIN	TYP	MAX	UNITS	NOTES
Supply Voltage V_{CC1} , V_{CC2}	V_{CC1} , V_{CC2}	2.0		5.5	V	1, 8
Logic 1 Input	V_{IH}	2.0		$V_{CC}+0.3$	V	1
Logic 0 Input	V_{IL}	$V_{CC}=2.0V$	-0.3	+0.3	V	1
		$V_{CC}=5V$	-0.3	+0.8		
V_{BAT} Battery Voltage	V_{BAT}	2.0		5.5	V	1
V_{CCIF} Supply Voltage	V_{CCIF}	2.0		5.5	V	14

DC ELECTRICAL CHARACTERISTICS(0°C to 70°C or -40°C to +85°C; $V_{CC} = 2.0$ to 5.5V*)

PARAMETER	SYMBOL	MIN	TYP	MAX	UNITS	NOTES
Input Leakage	I_{LI}	-100		+500	μA	
Output Leakage	I_{LO}	-1		1	μA	
Logic 0 Output	V_{OL}	$V_{CC}=2.0$		0.4	V	2
		$V_{CC}=5V$		0.4		
Logic 1 Output	V_{OH}	$V_{CCIF}=2.0V$	1.6		V	12
		$V_{CCIF}=5V$	2.4			
Logic 1 Output Current (INT1 pin)	I_{OH} , I_{INT1}	(V_{CC2} , V_{BAT}) -0.3V	-100		μA	
V_{CC1} Active Supply Current	I_{CC1A}	$V_{CC1}=2.0V$		0.425	mA	4, 9
		$V_{CC1}=5V$		1.28		
V_{CC1} Timekeeping Current	I_{CC1T}	$V_{CC1}=2.0V$		25.3	μA	3,9
		$V_{CC1}=5V$		81		
V_{CC2} Active Supply Current	I_{CC2A}	$V_{CC2}=2.0V$		0.4	mA	4, 10
		$V_{CC2}=5V$		1.2		
V_{CC2} Timekeeping Current	I_{CC2T}	$V_{CC2}=2.0V$		0.4	μA	3, 10
		$V_{CC2}=5V$		1		

*Unless otherwise noted.

DC ELECTRICAL CHARACTERISTICS (cont'd)(0°C to 70°C or -40°C to +85°C; $V_{CC} = 2.0$ to 5.5V*)

PARAMETER	SYMBOL		MIN	TYP	MAX	UNITS	NOTES
Battery Timekeeping Current	I_{BATT}	$V_{BAT}=3V$			550	nA	12
Battery Timekeeping Current (IND)	I_{BATT}	$V_{BAT}=3V$			800	nA	12
Trickle Charge Resistors	R1			2		k Ω	
	R2			4		k Ω	
	R3			8		k Ω	
Trickle Charger Diode Voltage Drop	V_{TD}			0.7		V	

CAPACITANCE $(t_A = 25^\circ C)$

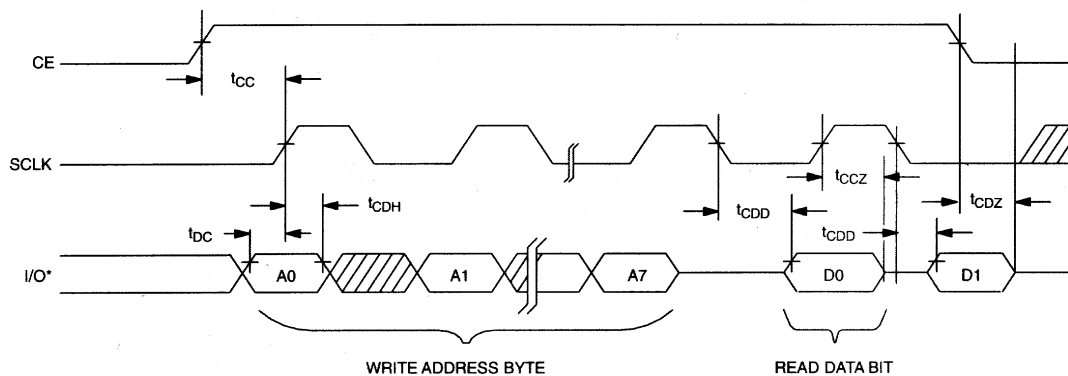
PARAMETER	SYMBOL	CONDITION	TYP	MAX	UNITS	NOTES
Input Capacitance	C_I		10		pF	
Output Capacitance	C_O		15		pF	
Crystal Capacitance	C_X		6		pF	

3-WIRE AC ELECTRICAL CHARACTERISTICS(0°C to 70°C or -40°C to +85°C; $V_{CC} = 2.0V$ to 5.5V*)

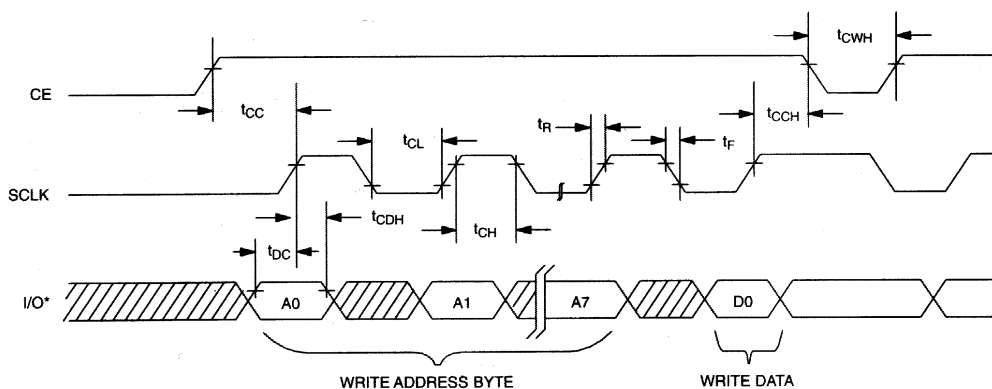
PARAMETER	SYMBOL		MIN	TYP	MAX	UNITS	NOTES
Data to CLK Setup	t_{DC}	$V_{CC}=2.0V$	200			ns	5, 6
		$V_{CC}=5V$	50				
CLK to Data Hold	t_{CDH}	$V_{CC}=2.0V$	280			ns	5, 6
		$V_{CC}=5V$	70				
CLK to Data Delay	t_{CDD}	$V_{CC}=2.0V$			800	ns	5, 6, 7
		$V_{CC}=5V$			200		
CLK Low Time	t_{CL}	$V_{CC}=2.0V$	1000			ns	6
		$V_{CC}=5V$	250				
CLK High Time	t_{CH}	$V_{CC}=2.0V$	1000			ns	6
		$V_{CC}=5V$	250				
CLK Frequency	t_{CLK}	$V_{CC}=2.0V$			0.6	MHz	6
		$V_{CC}=5V$	DC		2.0		
CLK Rise and Fall	$t_{R, TF}$	$V_{CC}=2.0V$			2000	ns	
		$V_{CC}=5V$			500		
CE to CLK Setup	t_{CC}	$V_{CC}=2.0V$	4			μs	6
		$V_{CC}=5V$	1				
CLK to CE Hold	t_{CCH}	$V_{CC}=2.0V$	240			ns	6
		$V_{CC}=5V$	60				
CE Inactive Time	t_{CWH}	$V_{CC}=2.0V$	4			μs	6
		$V_{CC}=5V$	1				
CE to Output High Z	t_{CDZ}	$V_{CC}=2.0V$			280	ns	5, 6
		$V_{CC}=5V$			70		
SCLK to Output High Z	t_{CCZ}	$V_{CC}=2.0V$			280	ns	5, 6
		$V_{CC}=5V$			70		

*Unless otherwise noted.

TIMING DIAGRAM: 3-WIRE READ DATA TRANSFER Figure 12



TIMING DIAGRAM: 3-WIRE WRITE DATA TRANSFER Figure 13



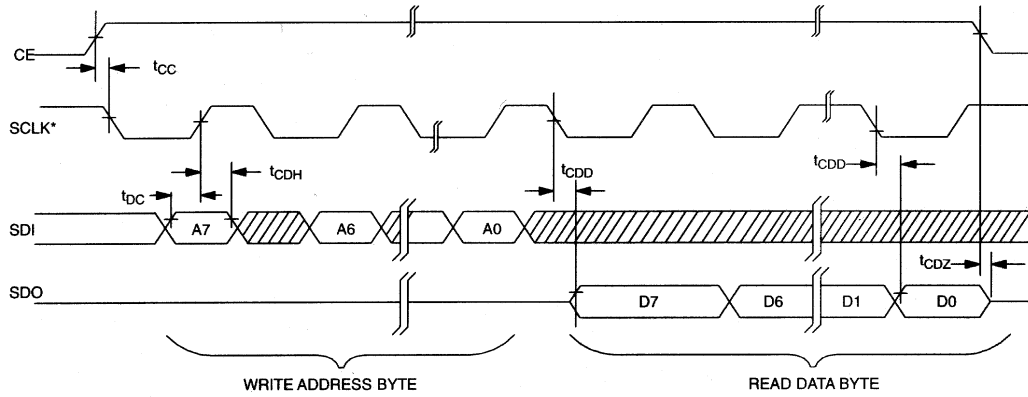
* I/O is SDI and SDO tied together.

SPI AC ELECTRICAL CHARACTERISTICS(0°C to 70°C or -40°C to +85°C; $V_{CC} = 2.0$ to 5.5V*)

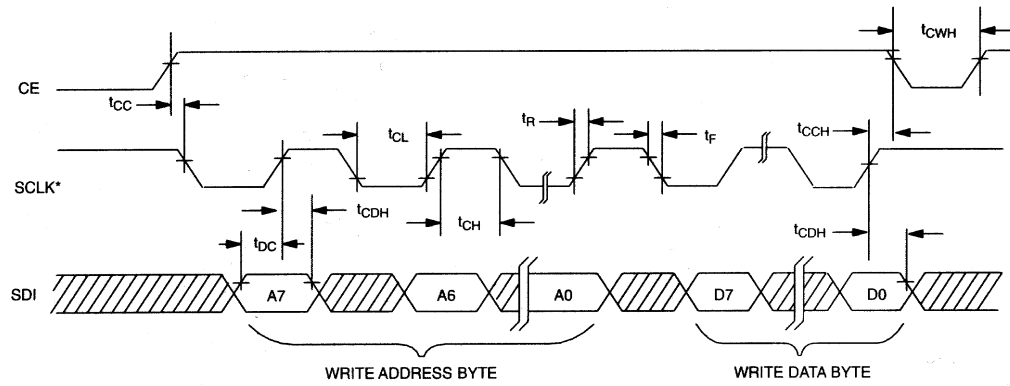
PARAMETER	SYMBOL	MIN	TYP	MAX	UNITS	NOTES
Data to CLK Setup	t_{DC}	$V_{CC}=2.0V$	200			ns 5, 6
		$V_{CC}=5V$	50			
CLK to Data Hold	t_{CDH}	$V_{CC}=2.0V$	280			ns 5, 6
		$V_{CC}=5V$	70			
CLK to Data Delay	t_{CDD}	$V_{CC}=2.0V$			800	ns 5, 6, 7
		$V_{CC}=5V$			200	
CLK Low Time	t_{CL}	$V_{CC}=2.0V$	1000			ns 6
		$V_{CC}=5V$	250			
CLK High Time	t_{CH}	$V_{CC}=2.0V$	1000			ns 6
		$V_{CC}=5V$	250			
CLK Frequency	t_{CLK}	$V_{CC}=2.0V$			0.6	MHz 6
		$V_{CC}=5V$	DC		2.0	
CLK Rise and Fall	t_R, t_F	$V_{CC}=2.0V$			2000	ns
		$V_{CC}=5V$			500	
CE to CLK Setup	t_{CC}	$V_{CC}=2.0V$	4			μ s 6
		$V_{CC}=5V$	1			
CLK to CE Hold	t_{CCH}	$V_{CC}=2.0V$	240			ns 6
		$V_{CC}=5V$	60			
CE Inactive Time	t_{CWH}	$V_{CC}=2.0V$	4			μ s 6
		$V_{CC}=5V$	1			
CE to Output High Z	t_{CDZ}	$V_{CC}=2.0V$			280	ns 5, 6
		$V_{CC}=5V$			70	

*Unless otherwise noted.

TIMING DIAGRAM: SPI READ DATA TRANSFER Figure 14



TIMING DIAGRAM: SPI WRITE DATA TRANSFER Figure 15

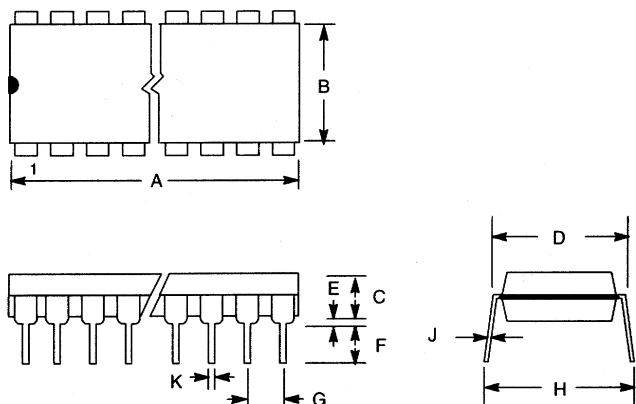


SCLK can be either polarity, timing shown for CPOL = 1.

NOTES:

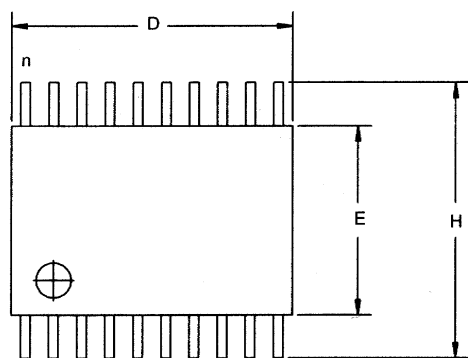
1. All voltages are referenced to ground.
2. Logic 0 voltages are specified at a sink current of 4 mA at $V_{CC}=5V$ and 1.5 mA at $V_{CC}=2.0V$, $V_{OL}=GND$ for capacitive loads.
3. I_{CC1T} and I_{CC2T} are specified with CE set to a logic 0.
4. I_{CC1A} and I_{CC2A} are specified with CE = V_{CC} , SCLK=2 MHz (0- V_{CC}) at $V_{CC}=5V$; SCLK=500 kHz (0- V_{CC}) at $V_{CC}=2.0V$.
5. Measured at $V_{IH}=2.0V$ or $V_{IL}=0.8V$ and 10 ms maximum rise and fall time.
6. Measured with 50 pF load.
7. Measured at $V_{OH}=2.4V$ or $V_{OL}=0.4V$.
8. $V_{CC}=V_{CC1}$, when $V_{CC1}>V_{CC2}+0.2V$ (typical); $V_{CC}=V_{CC2}$, when $V_{CC2}>V_{CC1}$.
9. $V_{CC2}=0V$.
10. $V_{CC1}=0V$.
11. $V_{CC1}<V_{BAT}$.
12. Logic 1 voltages are specified at a source current of 1 mA at $V_{CC}=5V$ and 0.4 mA at 2.0V, $V_{OH}=V_{CC}$ for capacitive loads.
13. V_{CCIF} must be less than or equal to the largest of V_{CC1} , V_{CC2} , and V_{BAT} .

DS1306 16-PIN DIP (300-mil)

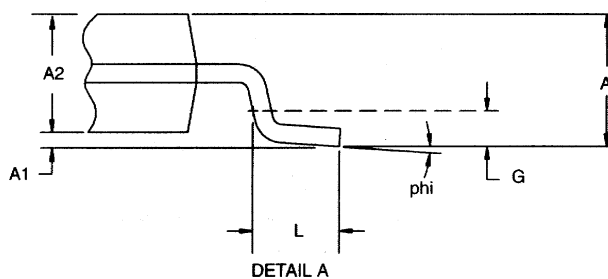
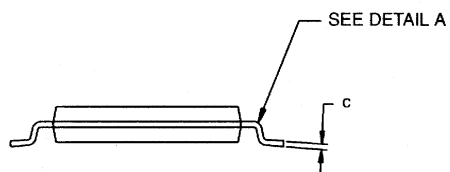
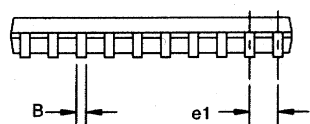


PKG DIM	16-PIN	
	MIN	MAX
A IN.	0.740	0.780
MM	18.80	19.81
B IN.	0.240	0.260
MM	6.10	6.60
C IN.	0.120	0.140
MM	3.05	3.56
D IN.	0.300	0.325
MM	7.62	8.26
E IN.	0.015	0.040
MM	0.38	1.02
F IN.	0.120	0.140
MM	3.04	3.56
G IN.	0.090	0.110
MM	2.29	2.79
H IN.	0.320	0.370
MM	8.13	9.40
J IN.	0.008	0.012
MM	0.20	0.30
K IN.	0.015	0.021
MM	0.38	0.53

DS1306 20-PIN TSSOP



1



DIM	MIN	MAX
A MM	-	1.10
A1 MM	0.05	-
A2 MM	0.75	1.05
C MM	0.09	0.18
L MM	0.50	0.70
e1 MM	0.65 BSC	
B MM	0.18	0.30
D MM	6.40	6.90
E MM	4.40 NOM	
G MM	0.25 REF	
H MM	6.25	6.55
phi	0°	8°