

HPS-A Series 4-20mA Output Pressure Transmitter



DS2805

Features:

- Stainless Steel housing
- Rugged construction
- Excellent linearity
- Excellent long term stability
- Wide temperature range
- Intrinsically safe versions available



Description:

Two wire, 4-20mA output transmitters offering superb chemical and corrosion resistance. Gauge or Absolute pressure is detected using a four active arm strain gauge bridge sensor, fused to a high-purity ceramic diaphragm. Available in three classes of accuracy and compensation specified below, with ranges from 100mbar to 600 bar or scaled to customer requirements.

CLASS A HIGH SPECIFICATION TRANSMITTER

Output Span	16mA $\pm 0.5\%$
Output Zero	4mA $\pm 0.5\%$ of span
Non Linearity, Hysteresis & Repeatability (NLH)	$\pm 0.1\%$ of span (best fit straight line)
Compensated Temp Range	-20°C to 125°C
Operating Temp Range	-20°C to 125°C
Thermal Zero Shift	0 to 100°C, $\pm 0.01\%$ of span / °C <0°C & >100°C, $\pm 0.015\%$ span / °C
Thermal Span Shift	$\pm 0.015\%$ reading / °C typical
Long Term Stability	0.1% / 12 months typical
Power Supply	10 to 32Vdc
Loop Resistance	1.1k Ω max @32Vdc supply

CLASS B INDUSTRIAL TRANSMITTER

Output Span	16mA $\pm 1\%$
Output Zero	4mA $\pm 1\%$ of span
Non Linearity, Hysteresis & Repeatability (NLH)	$\pm 0.15\%$ of span (best fit straight line)
Compensated Temp Range	-0°C to 100°C
Operating Temp Range	-20°C to 125°C
Thermal Zero Shift	$\pm 0.015\%$ span / °C
Thermal Span Shift	$\pm 0.015\%$ reading / °C typical
Long Term Stability	0.1% / 12 months typical
Power Supply	10 to 32Vdc
Loop Resistance	1.1k Ω max @32Vdc supply

CLASS C GENERAL PURPOSE/OEM TRANSMITTER

Output Span	16mA $\pm 1\%$
Output Zero	4mA $\pm 1\%$ of span
Non Linearity, Hysteresis & Repeatability (NLH)	$\pm 0.25\%$ of span (best fit straight line)
Compensated Temp Range	-0°C to 80°C
Operating Temp Range	-20°C to 125°C
Thermal Zero Shift	$\pm 0.04\%$ span / °C
Thermal Span Shift	$\pm 0.015\%$ reading / °C typical
Long Term Stability	0.1% / 12 months typical
Power Supply	10 to 32Vdc
Loop Resistance	1.1k Ω max @32Vdc supply



General Note

TT Electronics reserves the right to make changes in product specification without notice or liability. All information is subject to TT Electronics' own data and is considered accurate at time of going to print.

TT Electronics | Roxspur Measurement & Control
2 Downgate Drive, Sheffield, South Yorkshire, S4 8BT, UK | Ph: +44 (0) 114-244-2521
www.ttelectronics.com | RoxspurSales@ttelectronics.com

HPS-A Series 4-20mA Output Pressure Transmitter



OPTIONS

Pressure Connection

- G1/4" BSP male or female
- G1/2" BSP male
- 1/4" NPT male or female
- 1/2" NPT male
- Others available on request

Housing Material

- 316L Stainless Steel
- Others available on request

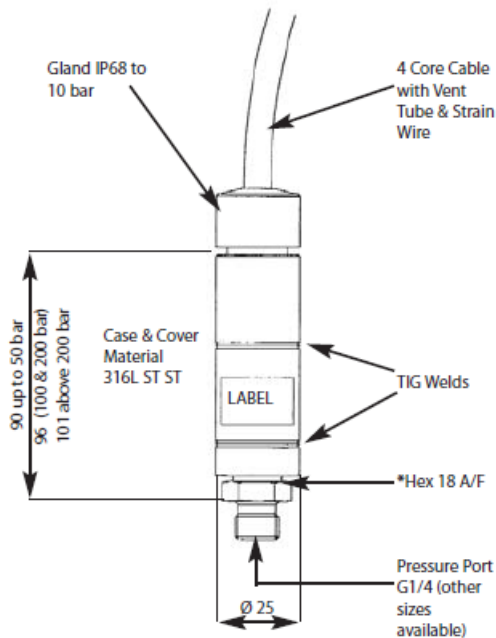
Intrinsically Safe

- EEx ia IIC T4

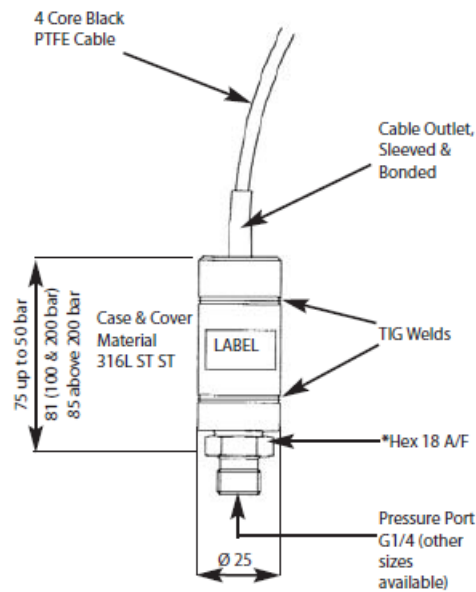
Electrical Connection

- IP65 mini plug & socket
- IP65 large plug & socket
- IP65 cable & ferrule
- IP68 glanded cable
- Others available on request

IP68 GLANDED CABLE



IP65 CABLE & FERRULE



General Note

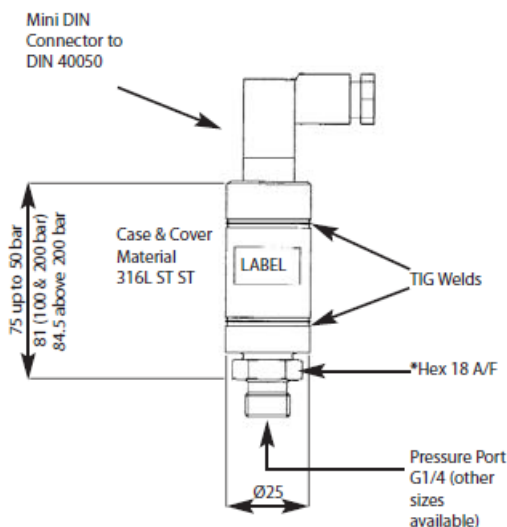
TT Electronics reserves the right to make changes in product specification without notice or liability. All information is subject to TT Electronics' own data and is considered accurate at time of going to print.

TT Electronics | Roxspur Measurement & Control
2 Downgate Drive, Sheffield, South Yorkshire, S4 8BT, UK | Ph: +44 (0) 114-244-2521
www.ttelectronics.com | RoxspurSales@ttelectronics.com

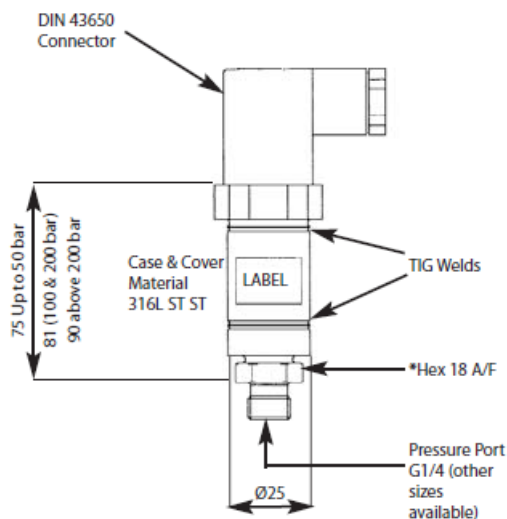
HPS-A Series 4-20mA Output Pressure Transmitter



DIN 40050 PLUG & SOCKET



DIN 43650 PLUG & SOCKET



* Note: >200 bar, Hexagon 27 A/F and diameter 27

SENSIT pressure transducers are also available with the following outputs:

- Voltage : 0-5V, 0-10V or 1-5V
- Active mV : 0-100mV or 0-200mV
- mA : 4-20mA

MECHANICAL SPECIFICATION

Safe Over-range Pressure	1.5 x rated range
Burst Pressure	3 x rated range minimum
Wetted Materials	Stainless steel, alumina ceramic, Viton (other O-ring materials available)

For level or depth measurement, use the NEW TRIDENT Series of submersible pressure transducers, or if your application requires something special, contact sales. If we do not already have the solution our OEM design team are ready to help.

General Note

TT Electronics reserves the right to make changes in product specification without notice or liability. All information is subject to TT Electronics' own data and is considered accurate at time of going to print.

TT Electronics | Roxspur Measurement & Control
2 Downgate Drive, Sheffield, South Yorkshire, S4 8BT, UK | Ph: +44 (0) 114-244-2521
www.ttelectronics.com | RoxspurSales@ttelectronics.com