

FEATURES

- **8-Bit 8051-Compatible Microcontroller Adapts to Task at Hand**
8 or 32 kbytes of Nonvolatile RAM for Program and/or Data Memory Storage
Initial Downloading of Software in End System via On-Chip Serial Port
Capable of Modifying Its Own Program and/or Data Memory in End Use
- **Crashproof Operation**
Maintains All Nonvolatile Resources for 10 Years in the Absence of V_{CC} at Room Temperature
Power-Fail Reset
Early Warning Power-Fail Interrupt
Watchdog Timer
- **Software Security Feature**
Executes Encrypted Software to Prevent Unauthorized Disclosure
- **On-Chip, Full-Duplex Serial I/O Ports**
- **Two On-Chip Timer/Event Counters**
- **32 Parallel I/O Lines**
- **Compatible with Industry Standard 8051 Instruction Set and Pinout**
- **Optional Permanently Powered Real-Time Clock (DS5000T)**

PIN ASSIGNMENT

| | | | |
|------------------------|----|----|-------------------|
| P1.0 | 1 | 40 | V_{CC} |
| P1.1 | 2 | 39 | P0.0 AD0 |
| P1.2 | 3 | 38 | P0.1 AD1 |
| P1.3 | 4 | 37 | P0.2 AD2 |
| P1.4 | 5 | 36 | P0.3 AD3 |
| P1.5 | 6 | 35 | P0.4 AD4 |
| P1.6 | 7 | 34 | P0.5 AD5 |
| P1.7 | 8 | 33 | P0.6 AD6 |
| RST | 9 | 32 | P0.7 AD7 |
| RXD P3.0 | 10 | 31 | \overline{EA} |
| TXD P3.1 | 11 | 30 | ALE |
| $\overline{INT0}$ P3.2 | 12 | 29 | \overline{PSEN} |
| INT1 P3.3 | 13 | 28 | P2.7 A15 |
| T0 P3.4 | 14 | 27 | P2.6 A14 |
| T1 P3.5 | 15 | 26 | P2.5 A13 |
| WR P3.6 | 16 | 25 | P2.4 A12 |
| RD P3.7 | 17 | 24 | P2.3 A11 |
| XTAL2 | 18 | 23 | P2.2 A10 |
| XTAL1 | 19 | 22 | P2.1 A9 |
| GND | 20 | 21 | P2.0 A8 |

40-Pin Encapsulated Package

DESCRIPTION

The DS5000(T) Soft Microcontroller Module is a fully 8051-compatible 8-bit CMOS microcontroller that offers “softness” in all aspects of its application. This is accomplished through the comprehensive use of nonvolatile technology to preserve all information in the absence of system V_{CC} . The internal program/data memory space is implemented using either 8 or 32 kbytes of nonvolatile CMOS SRAM. Furthermore, internal data registers and key configuration registers are also nonvolatile. An optional real-time clock (RTC) gives permanently powered timekeeping. The clock keeps time to a hundredth of a second using an on-board crystal.

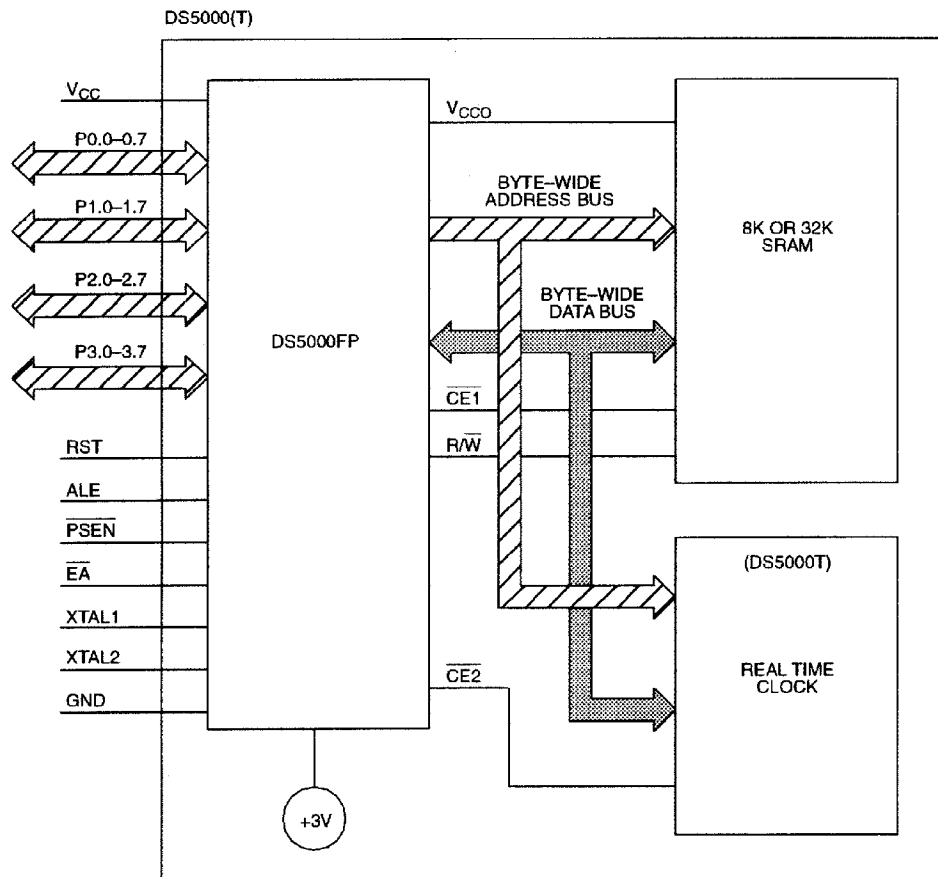
Note: This data sheet provides ordering information, pinout, and electrical specifications. Refer to the [Secure Microcontroller User’s Guide](#) for operating information.

ORDERING INFORMATION

| PART | RAM SIZE (kB) | MAX CRYSTAL SPEED (MHz) | TIMEKEEPING? |
|----------------|---------------|-------------------------|--------------|
| DS5000-32-16 | 32 | 16 | No |
| DS5000-32-16+ | 32 | 16 | No |
| DS5000T-32-16 | 32 | 16 | Yes |
| DS5000T-32-16+ | 32 | 16 | Yes |

+ Denotes a lead-free package.

DS5000(T) BLOCK DIAGRAM Figure 1



PIN DESCRIPTION

| PIN | NAME | FUNCTION |
|------------|--------------------------------|--|
| 1–8 | P1.0–P1.7 | General-Purpose I/O Port 1 |
| 9 | RST | Active-High Reset Input. A logic 1 applied to this pin will activate a reset state. This pin is pulled down internally so this pin can be left unconnected if not used. |
| 10 | P3.0/RXD | General-Purpose I/O Port Pin 3.0/Receive Signal for On-Board UART. This pin should not be connected directly to a PC COM port. |
| 11 | P3.1/TXD | General-Purpose I/O Port Pin 3.1/Transmit Signal for On-Board UART. This pin should not be connected directly to a PC COM port. |
| 12 | P3.2/ $\overline{\text{INT0}}$ | General-Purpose I/O Port Pin 3.2/Active-Low External Interrupt 0 |
| 13 | P3.3/ $\overline{\text{INT1}}$ | General-Purpose I/O Port Pin 3.3/Active-Low External Interrupt 1 |
| 14 | P3.4/T0 | General-Purpose I/O Port Pin 3.4/Timer 0 Input |
| 15 | P3.5/T1 | General-Purpose I/O Port Pin 3.5/Timer 1 Input |
| 16 | P3.6/ $\overline{\text{WR}}$ | General-Purpose I/O Port Pin 3.6/Active-Low Write Strobe for Expanded Bus Operation |
| 17 | P3.7/ $\overline{\text{RD}}$ | General-Purpose I/O Port Pin 3.7/Active-Low Read Strobe for Expanded Bus Operation |
| 18, 19 | XTAL2, XTAL1 | Crystal Connection. Used to connect an external crystal to the internal oscillator. XTAL1 is the input to an inverting amplifier and XTAL2 is the output. |
| 20 | GND | Logic Ground |
| 21–28 | P2.0–P2.7/ A8–A15 | General-Purpose I/O Port 2/MSB of the Expanded Address Bus |
| 29 | $\overline{\text{PSEN}}$ | Active-Low Program Store Enable. Used to enable an external program memory when using the expanded bus. It is normally an output and should be unconnected if not used. $\overline{\text{PSEN}}$ also is used to invoke the bootstrap loader. At this time, $\overline{\text{PSEN}}$ is pulled down externally. This should only be done once the DS5000(T) is already in a reset state. The device that pulls down should be open drain since it must not interfere with $\overline{\text{PSEN}}$ under normal operation. |
| 30 | ALE | Address Latch Enable. Used to demultiplex the multiplexed expanded address/data bus on Port 0. This pin is normally connected to the clock input on a '373 type transparent latch. When using a parallel programmer, this pin also assumes the $\overline{\text{PROG}}$ function for programming pulses. |
| 31 | $\overline{\text{EA}}$ | Active-Low External Access. This pin forces the DS5000(T) to behave like an 8031. No internal memory (or clock) is available when this pin is at a logic low. Since this pin is pulled down internally, it should be connected to +5V to use NV RAM. In a parallel programmer, this pin also serves as V_{PP} for super voltage pulses. |
| 32-39 | P0.7–P0.0/ AD7–AD0 | General-Purpose I/O Port 0/Multiplexed Expanded Address/Data Bus. This port is open drain and cannot drive a logic 1. It requires external pullups. When used in the multiplexed expanded address data/bus mode, this pin does not require pullups. |
| 40 | V_{CC} | +5V Power Supply |

INSTRUCTION SET

The DS5000(T) executes an instruction set which is object code-compatible with the industry standard 8051 microcontroller. As a result, software development packages that have been written for the 8051, including cross-assemblers, high-level language compilers, and debugging tools, are compatible with the DS5000(T).

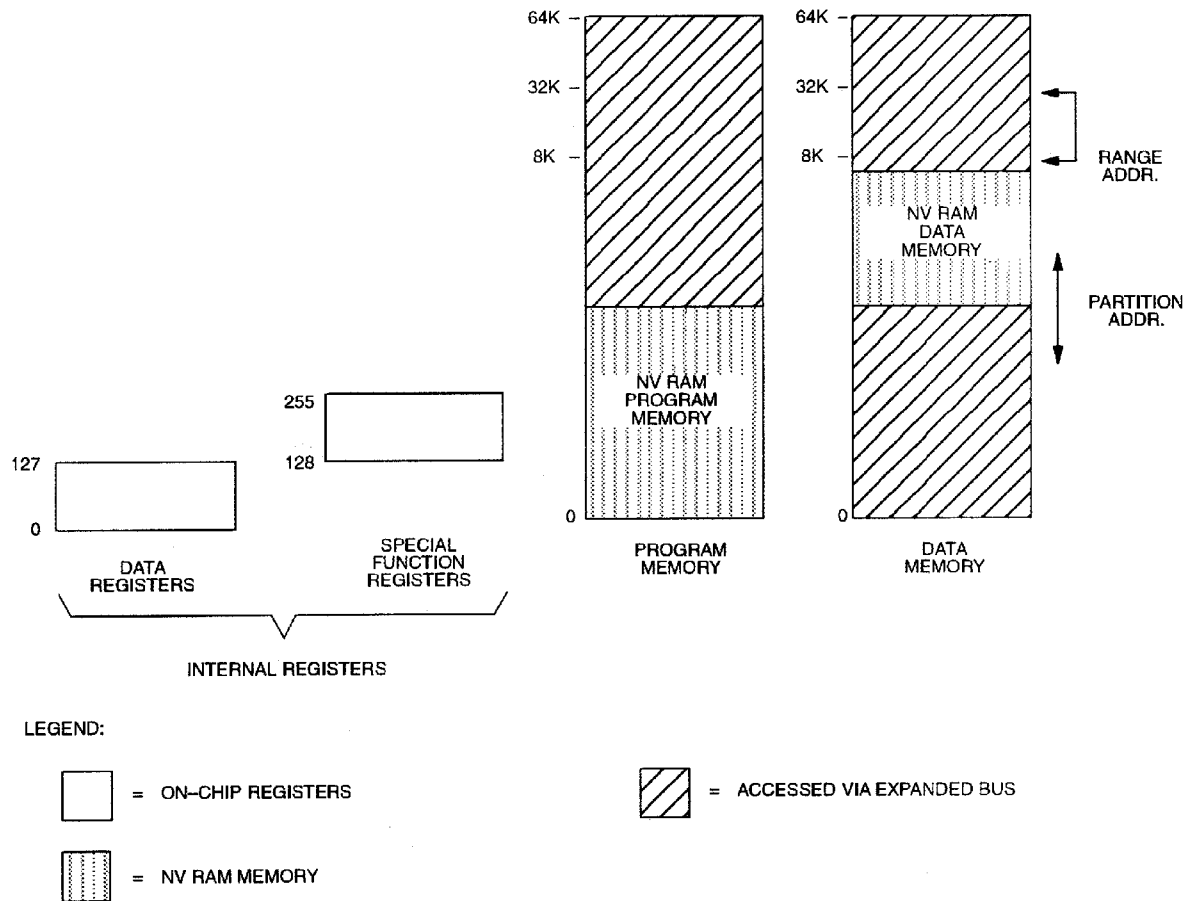
A complete description for the DS5000(T) instruction set is available in *Secure Microcontroller User's Guide*.

MEMORY ORGANIZATION

Figure 2 illustrates the address spaces, which are accessed by the DS5000(T). As illustrated in the figure, separate address spaces exist for program and data memory. Since the basic addressing capability of the machine is 16 bits, a maximum of 64 kbytes of program memory and 64 kbytes of data memory can be accessed by the DS5000(T) CPU. The 8- or 32-kbyte RAM area inside of the DS5000(T) can be used to contain both program and data memory.

The real-time clock (RTC) in the DS5000T is reached in the memory map by setting a SFR bit. The MCON.2 bit (ECE2) is used to select an alternate data memory map. While $ECE2 = 1$, all MOVXs will be routed to this alternate memory map. The RTC is a serial device that resides in this area. A full description of the RTC access and example software is given in the *Secure Microcontroller User's Guide*. If the ECE2 bit is set on a DS5000 without a timekeeper, the MOVXs will simply go to a nonexistent memory. Software execution would not be affected otherwise.

DS5000(T) LOGICAL ADDRESS SPACES Figure 2



PROGRAM LOADING

The Program Load Modes allow initialization of the NV RAM Program/Data Memory. This initialization may be performed in one of two ways:

1. Serial Program Loading that can perform Bootstrap Loading of the DS5000(T). This feature allows the loading of the application program to be delayed until the DS5000(T) is installed in the end system. Dallas Semiconductor strongly recommends the use of serial program loading because of its versatility and ease of use.
2. Parallel Program Load cycles that perform the initial loading from parallel address/data information presented on the I/O port pins. This mode is timing-set compatible with the 8751H microcontroller programming mode.

The DS5000(T) is placed in its Program Load configuration by simultaneously applying a logic 1 to the RST pin and forcing the $\overline{\text{PSEN}}$ line to a logic 0 level. Immediately following this action, the DS5000(T) will look for a parallel Program Load pulse, or a serial ASCII carriage return (0DH) character received at 9600, 2400, 1200, or 300 bps over the serial port.

The hardware configurations used to select these modes of operation are illustrated in Figure 3.

PROGRAM LOADING CONFIGURATIONS Figure 3

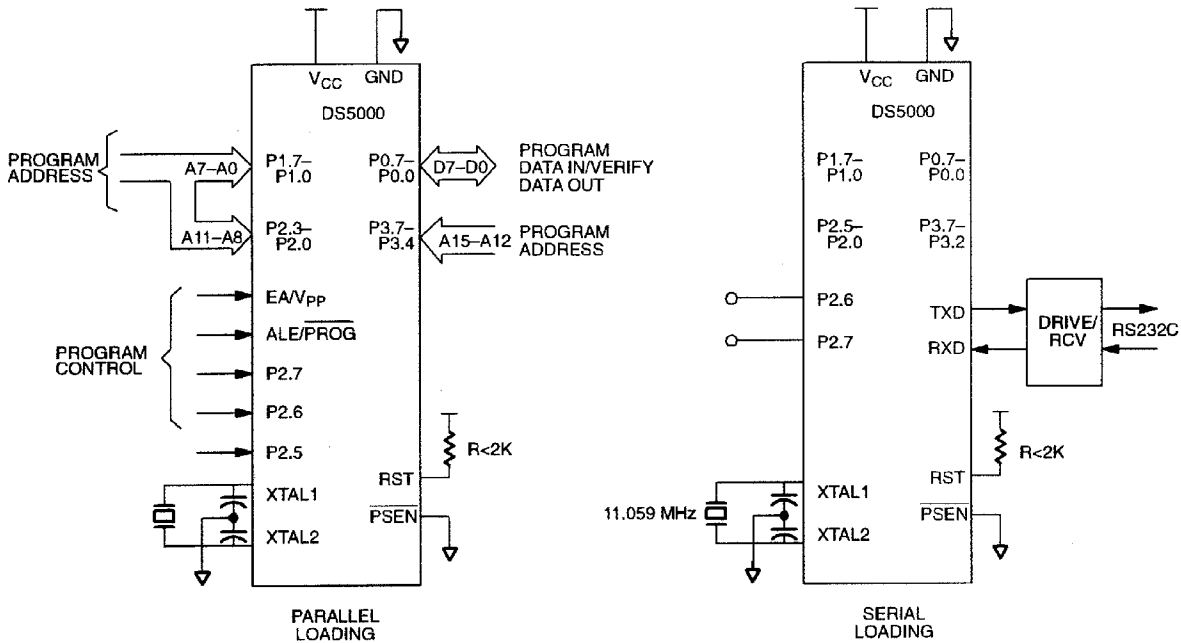


Table 1 summarizes the selection of the available Parallel Program Load cycles. The timing associated with these cycles is illustrated in the electrical specs.

SERIAL BOOTSTRAP LOADER

The Serial Program Load Mode is the easiest, fastest, most reliable, and most complete method of initially loading application software into the DS5000(T) nonvolatile RAM. Communication can be performed over a standard asynchronous serial communications port. A typical application would use a simple RS232C serial interface to program the DS5000(T) as a final production procedure. The hardware configuration required for the Serial Program Load mode is illustrated in Figure 3. Port pins 2.7 and 2.6 must be either open or pulled high to avoid placing the DS5000(T) in a parallel load cycle. Although an 11.0592 MHz crystal is shown in Figure 3, a variety of crystal frequencies and loader baud rates are supported, shown in Table 2. The serial loader is designed to operate across a 3-wire interface from a standard UART. The receive, transmit, and ground wires are all that are necessary to establish communication with the DS5000(T).

The Serial Bootstrap Loader implements an easy-to-use command line interface that allows an application program in an Intel hex representation to be loaded into and read back from the device. Intel hex is the typical format which existing 8051 cross-assemblers output. The serial loader responds to single character commands, which are summarized below:

| <u>COMMAND</u> | <u>FUNCTION</u> |
|----------------|---|
| C | Return CRC-16 checksum of embedded RAM |
| D | Dump Intel hex file |
| F | Fill embedded RAM block with constant |
| K | Load 40-bit encryption key |
| L | Load Intel hex file |
| R | Read MCON register |
| T | Trace (echo) incoming Intel hex data |
| U | Clear security lock |
| V | Verify embedded RAM with incoming Intel hex |
| W | Write MCON register |
| Z | Set security lock |
| P | Put a value to a port |
| G | Get a value from a port |

PARALLEL PROGRAM LOAD CYCLES Table 1

| MODE | RST | $\overline{\text{PSEN}}$ | $\overline{\text{PROG}}$ | $\overline{\text{EA}}$ | P2.7 | P2.6 | P2.5 |
|----------------------------|-----|--------------------------|--------------------------|------------------------|------|------|------|
| Program | 1 | 0 | 0 | V _{PP} | 1 | 0 | X |
| Security Set | 1 | 0 | 0 | V _{PP} | 1 | 1 | X |
| Verify | 1 | X | X | 1 | 0 | 0 | X |
| Prog Expanded | 1 | 0 | 0 | V _{PP} | 0 | 1 | 0 |
| Verify Expanded | 1 | 0 | 1 | 1 | 0 | 1 | 0 |
| Prog MCON or Key registers | 1 | 0 | 0 | V _{PP} | 0 | 1 | 1 |
| Verify MCON registers | 1 | 0 | 1 | 1 | 0 | 1 | 1 |

The Parallel Program Cycle is used to load a byte of data into a register or memory location within the DS5000(T). The Verify Cycle is used to read this byte back for comparison with the originally loaded value to verify proper loading. The Security Set Cycle may be used to enable and the Software Security feature of the DS5000(T). One may also enter bytes for the MCON register or for the five encryption registers using the Program MCON cycle. When using this cycle, the absolute register address must be presented at Ports 1 and 2 as in the normal program cycle (Port 2 should be 00H). The MCON contents can likewise be verified using the Verify MCON cycle.

When the DS5000(T) first detects a Parallel Program Strobe pulse or a Security Set Strobe pulse while in the Program Load Mode following a Power-On Reset, the internal hardware of the DS5000(T) is initialized so that an existing 4-kbyte program can be programmed into a DS5000(T) with little or no modification. This initialization automatically sets the Range Address for 8 kbytes and maps the lowest 4-kbyte bank of Embedded RAM as program memory. The next 4 kbytes of Embedded RAM are mapped as Data Memory.

In order to program more than 4 kbytes of program code, the Program/Verify Expanded cycles can be used. Up to 32 kbytes of program code can be entered and verified. Note that the expanded 32-kbyte Program/ Verify cycles take much longer than the normal 4-kbyte Program/Verify cycles.

A typical parallel loading session would follow this procedure. First, set the contents of the MCON register with the correct range and partition only if using expanded programming cycles. Next, the encryption registers can be loaded to enable encryption of the program/data memory (not required). Then, program the DS5000(T) using either normal or expanded program cycles and check the memory contents using Verify cycles. The last operation would be to turn on the security lock feature by either a Security Set cycle or by explicitly writing to the MCON register and setting MCON.0 to a 1.

SERIAL LOADER BAUD RATES FOR DIFFERENT CRYSTAL FREQUENCIES Table 2

| CRYSTAL FREQ (MHz) | BAUD RATE | | | | | |
|-----------------------|-----------|------|------|------|-------|-------|
| | 300 | 1200 | 2400 | 9600 | 19200 | 57600 |
| 14.7456 | | Y | Y | Y | Y | |
| 11.0592 | Y | Y | Y | Y | Y | Y |
| 9.21600 | Y | Y | Y | Y | | |
| 7.37280 | Y | Y | Y | Y | | |
| 5.52960 | Y | Y | Y | Y | | |
| 1.84320 | Y | Y | Y | Y | | |

ADDITIONAL INFORMATION

Refer to the *Secure Microcontroller User's Guide* for a complete description for all operational aspects of the DS5000(T).

DEVELOPMENT SUPPORT

The DS89C450-K00 evaluation kit (www.maxim-ic.com/DS89C450evkit) can be used to develop and test user code. It allows the user to download Intel hex-formatted code to the DS5000(T) from a PC. Refer to the *Secure Microcontroller User's Guide* for more information.

ABSOLUTE MAXIMUM RATINGS

| | |
|--|---------------------------------------|
| Voltage on Any Pin Relative to Ground..... | -0.3V to +7.0V |
| Operating Temperature..... | 0°C to +70°C |
| Storage Temperature..... | -40°C to +70°C |
| Soldering Temperature..... | See IPC/JEDEC J-STD-020 Specification |

This is a stress rating only and functional operation of the device at these or any other conditions above those indicated in the operation sections of this specification is not implied. Exposure to absolute maximum rating conditions for extended periods of time may affect device reliability.

DC CHARACTERISTICS $(t_A=0^{\circ}\text{C to }70^{\circ}\text{C}; V_{CC}=5\text{V} \pm 5\%)$

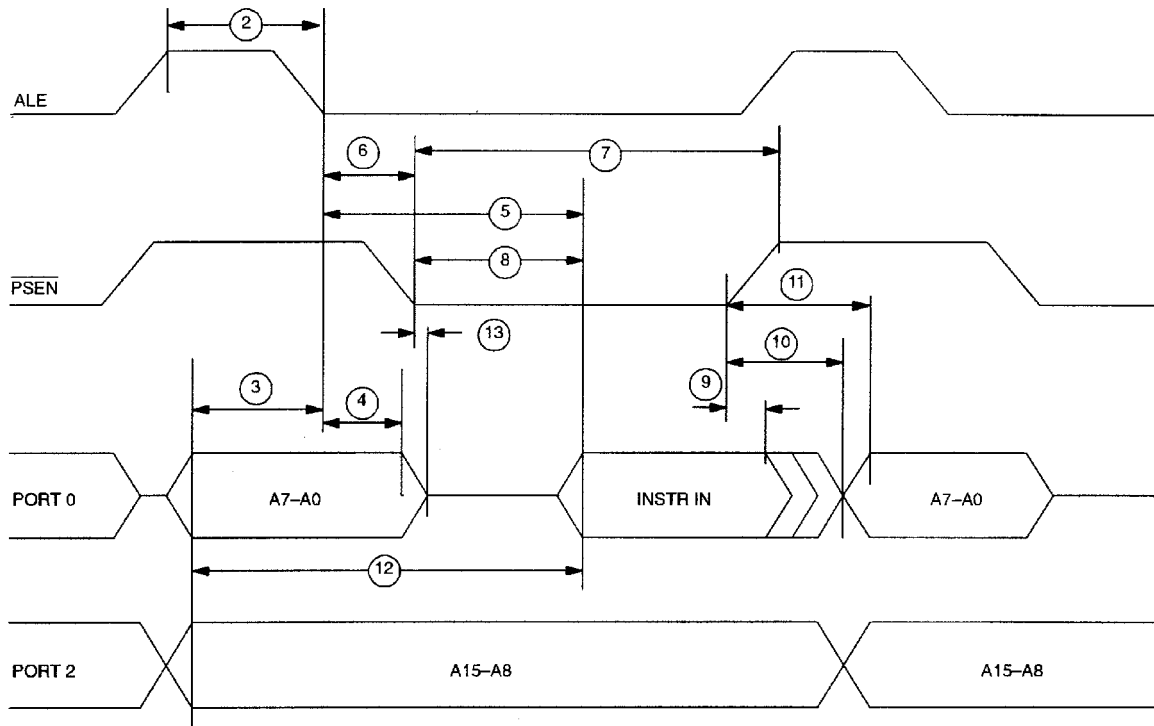
| PARAMETER | SYMBOL | MIN | TYP | MAX | UNITS | NOTES |
|--|-------------|------|----------------------|----------------|---------------|-------|
| Input Low Voltage | V_{IL} | -0.3 | | 0.8 | V | 1 |
| Input High Voltage | V_{IH1} | 2.0 | | $V_{CC}+0.3$ | V | 1 |
| Input High Voltage RST, XTAL1 | V_{IH2} | 3.5 | | $V_{CC}+0.3$ | V | 1 |
| Output Low Voltage @ $I_{OL}=1.6$ mA (Ports 1, 2, 3) | V_{OL1} | | 0.15 | 0.45 | V | |
| Output Low Voltage @ $I_{OL}=3.2$ mA (Ports 0, ALE, $\overline{\text{PSEN}}$) | V_{OL2} | | 0.15 | 0.45 | V | 1 |
| Output High Voltage @ $I_{OH}=-80$ μA (Ports 1, 2, 3) | V_{OH1} | 2.4 | 4.8 | | V | 1 |
| Output High Voltage @ $I_{OH}=-400$ μA (Ports 0, ALE, $\overline{\text{PSEN}}$) | V_{OH2} | 2.4 | 4.8 | | V | 1 |
| Input Low Current $V_{IN}=0.45\text{V}$ (Ports 1, 2, 3) | I_{IL} | | | -50 | μA | |
| Transition Current; 1 to 0 $V_{IN}=2.0\text{V}$ (Ports 1, 2, 3) | I_{TL} | | | -500 | μA | |
| Input Leakage Current $0.45 < V_{IN} < V_{CC}$ (Port 0) | I_L | | | ± 10 | μA | |
| RST, $\overline{\text{EA}}$ Pulldown Resistor | R_{RE} | 40 | | 125 | k Ω | |
| Stop Mode Current | I_{SM} | | | 80 | μA | 4 |
| Power-Fail Warning Voltage | V_{PFW} | 4.15 | 4.6 | 4.75 | V | 1 |
| Minimum Operating Voltage | V_{CCmin} | 4.05 | 4.5 | 4.65 | V | 1 |
| Programming Supply Voltage (Parallel Program Mode) | V_{PP} | 12.5 | | 13 | V | 1 |
| Program Supply Current | I_{PP} | | 15 | 20 | mA | |
| Operating Current DS5000-8k @ 8MHz DS5000-32k @ 12 MHz DS5000(T)-32-16 @ 16 MHz | I_{CC} | | 25.2 35.7 45.6 | 43 48 54 | mA | 2 |
| Idle Mode Current @ 12 MHz | I_{CC} | | 4.5 | 6.2 | mA | 3 |

AC CHARACTERISTICS: EXPANDED BUS MODE TIMING SPECIFICATIONS

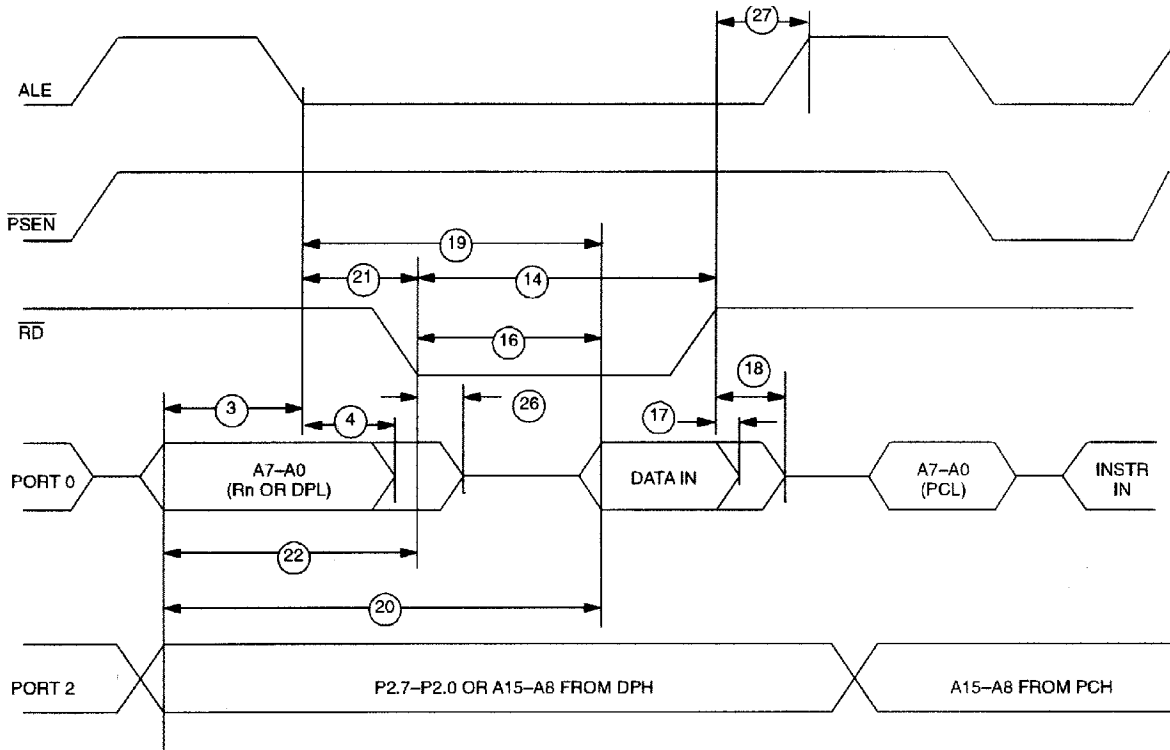
($t_A=0^{\circ}\text{C}$ to 70°C ; $V_{CC}=5\text{V} \pm 5\%$)

| # | PARAMETER | SYMBOL | MIN | MAX | UNITS |
|----|---|---------------------|---|--|----------|
| 1 | Oscillator Frequency | $1/t_{\text{CLK}}$ | 1.0 | 16 | MHz |
| 2 | ALE Pulse Width | t_{ALPW} | $2t_{\text{CLK}} - 40$ | | ns |
| 3 | Address Valid to ALE Low | t_{AVALL} | $t_{\text{CLK}} - 40$ | | ns |
| 4 | Address Hold After ALE Low | t_{AVAAV} | $t_{\text{CLK}} - 35$ | | ns |
| 5 | ALE Low to Valid Instr. In @ 12 MHz @ 16 MHz | t_{ALLVI} | | $4t_{\text{CLK}} - 150$ $4t_{\text{CLK}} - 90$ | ns ns |
| 6 | ALE Low to $\overline{\text{PSEN}}$ Low | t_{ALLPSL} | $t_{\text{CLK}} - 25$ | | ns |
| 7 | $\overline{\text{PSEN}}$ Pulse Width | t_{PSPW} | $3t_{\text{CLK}} - 35$ | | ns |
| 8 | $\overline{\text{PSEN}}$ Low to Valid Instr. In @ 12 MHz @ 16 MHz | t_{PSLVI} | | $3t_{\text{CLK}} - 150$ $3t_{\text{CLK}} - 90$ | ns ns |
| 9 | Input Instr. Hold after $\overline{\text{PSEN}}$ Going High | t_{PSIV} | 0 | | ns |
| 10 | Input Instr. Float after $\overline{\text{PSEN}}$ Going High | t_{PSIX} | | $t_{\text{CLK}} - 20$ | ns |
| 11 | Address Hold after $\overline{\text{PSEN}}$ Going High | t_{PSAV} | $t_{\text{CLK}} - 8$ | | ns |
| 12 | Address Valid to Valid Instr. In @ 12 MHz @ 16 MHz | t_{AVVI} | | $5t_{\text{CLK}} - 150$ $5t_{\text{CLK}} - 90$ | ns ns |
| 13 | $\overline{\text{PSEN}}$ Low to Address Float | t_{PSLAZ} | 0 | | ns |
| 14 | $\overline{\text{RD}}$ Pulse Width | t_{RDPW} | $6t_{\text{CLK}} - 100$ | | ns |
| 15 | $\overline{\text{WR}}$ Pulse Width | t_{WRPW} | $6t_{\text{CLK}} - 100$ | | ns |
| 16 | $\overline{\text{RD}}$ Low to Valid Data In @ 12 MHz @ 16 MHz | t_{RDLDV} | | $5t_{\text{CLK}} - 165$ $5t_{\text{CLK}} - 105$ | ns ns |
| 17 | Data Hold after $\overline{\text{RD}}$ High | t_{RDHDV} | 0 | | ns |
| 18 | Data Float after $\overline{\text{RD}}$ High | t_{RDHDZ} | | $2t_{\text{CLK}} - 70$ | ns |
| 19 | ALE Low to Valid Data In @ 12 MHz @ 16 MHz | t_{ALLVD} | | $8t_{\text{CLK}} - 150$ $8t_{\text{CLK}} - 90$ | ns ns |
| 20 | Valid Addr. to Valid Data In @ 12 MHz @ 16 MHz | t_{AVDV} | | $9t_{\text{CLK}} - 165$ $9t_{\text{CLK}} - 105$ | ns ns |
| 21 | ALE Low to $\overline{\text{RD}}$ or $\overline{\text{WR}}$ Low | t_{ALLRDL} | $3t_{\text{CLK}} - 50$ | $3t_{\text{CLK}} + 50$ | ns |
| 22 | Address Valid to $\overline{\text{RD}}$ or $\overline{\text{WR}}$ Low | t_{AVRDL} | $4t_{\text{CLK}} - 130$ | | ns |
| 23 | Data Valid to $\overline{\text{WR}}$ Going Low | t_{DVWRL} | $t_{\text{CLK}} - 60$ | | ns |
| 24 | Data Valid to $\overline{\text{WR}}$ High @ 12 MHz @ 16 MHz | t_{DVWRH} | $7t_{\text{CLK}} - 150$ $7t_{\text{CLK}} - 90$ | | ns ns |
| 25 | Data Valid after $\overline{\text{WR}}$ High | t_{WRHDV} | $t_{\text{CLK}} - 50$ | | ns |
| 26 | $\overline{\text{RD}}$ Low to Address Float | t_{RDLAZ} | | 0 | ns |
| 27 | $\overline{\text{RD}}$ or $\overline{\text{WR}}$ High to ALE High | t_{RDHALH} | $t_{\text{CLK}} - 40$ | $t_{\text{CLK}} + 50$ | ns |

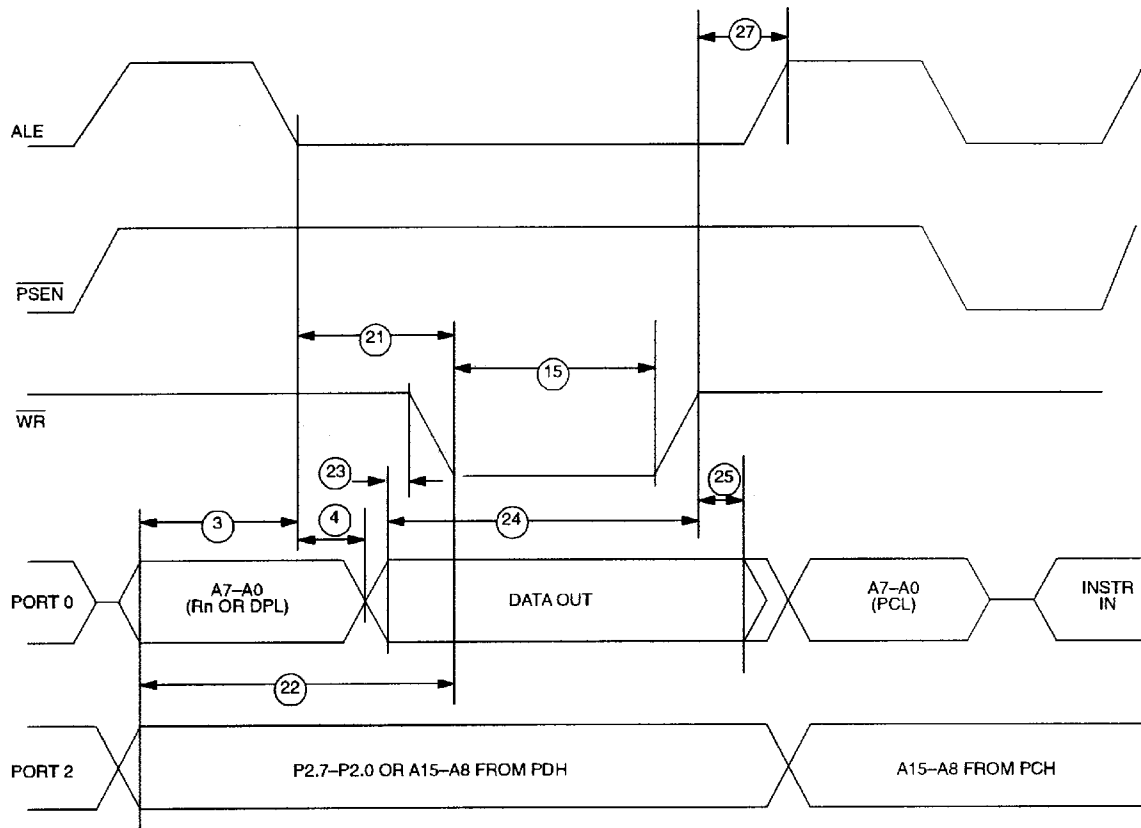
EXPANDED PROGRAM MEMORY READ CYCLE



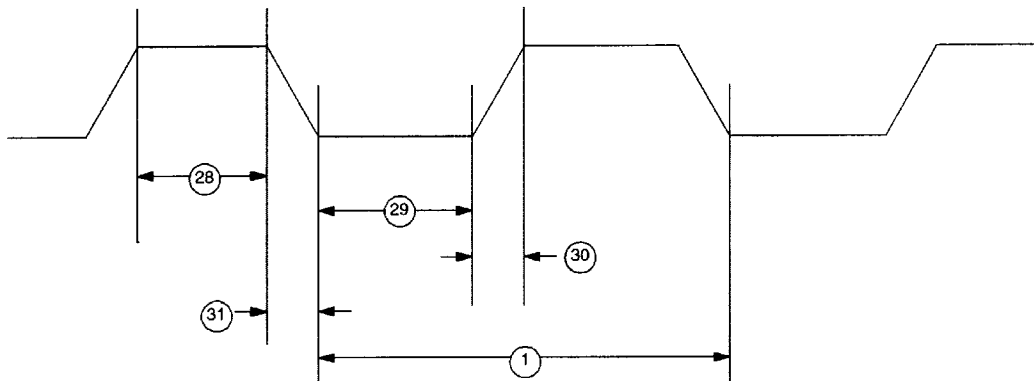
EXPANDED DATA MEMORY READ CYCLE



EXPANDED DATA MEMORY WRITE CYCLE



EXTERNAL CLOCK TIMING

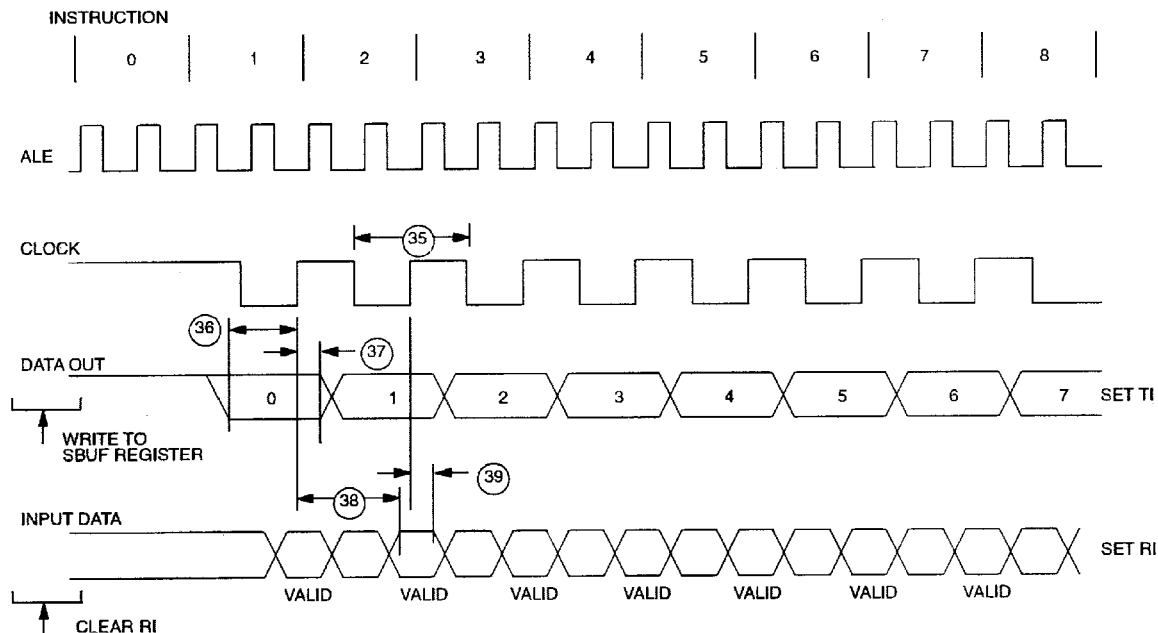


AC CHARACTERISTICS (cont'd)**EXTERNAL CLOCK DRIVE** $(t_A=0^{\circ}\text{C to }70^{\circ}\text{C}; V_{CC}=5\text{V} \pm 5\%)$

| # | PARAMETER | SYMBOL | MIN | MAX | UNITS |
|----|--------------------------|----------|-----|-----|-------|
| 28 | External Clock High Time | @ 12 MHz | 20 | | ns |
| | | @ 16 MHz | 15 | | ns |
| 29 | External Clock Low Time | @ 12 MHz | 20 | | ns |
| | | @ 16 MHz | 15 | | ns |
| 30 | External Clock Rise Time | @ 12 MHz | | 20 | ns |
| | | @ 16 MHz | | 15 | ns |
| 31 | External Clock Fall Time | @ 12 MHz | | 20 | ns |
| | | @ 16 MHz | | 15 | ns |

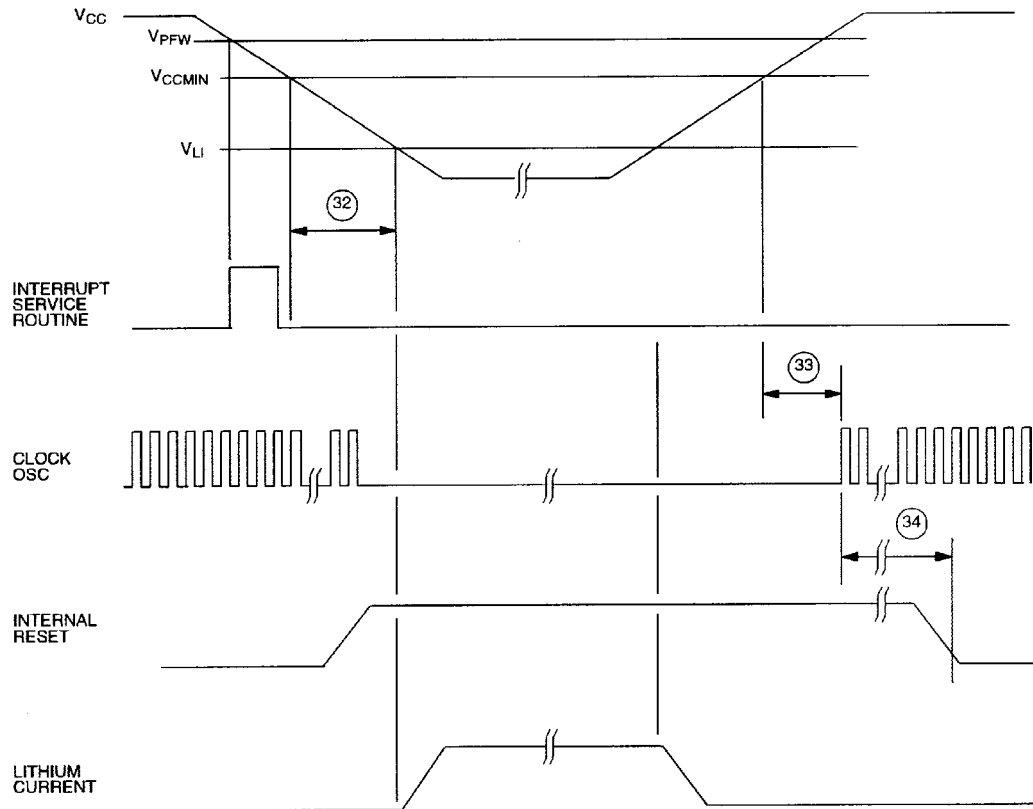
AC CHARACTERISTICS (cont'd)**SERIAL PORT TIMING - MODE 0** $(t_A=0^{\circ}\text{C to }70^{\circ}\text{C}; V_{CC}=5\text{V} \pm 5\%)$

| # | PARAMETER | SYMBOL | MIN | MAX | UNITS |
|----|--|-------------|-------------------|-------------------|---------------|
| 35 | Serial Port Cycle Time | t_{SPCLK} | $12t_{CLK}$ | | μs |
| 36 | Output Data Setup to Rising Clock Edge | t_{DOCH} | $10t_{CLK} - 133$ | | ns |
| 37 | Output Data Hold after Rising Clock Edge | t_{CHDO} | $2t_{CLK} - 117$ | | ns |
| 38 | Clock Rising Edge to Input Data Valid | t_{CHDV} | | $10t_{CLK} - 133$ | ns |
| 39 | Input Data Hold after Rising Clock Edge | t_{CHDIV} | 0 | | ns |

SERIAL PORT TIMING - MODE 0

AC CHARACTERISTICS (cont'd)**POWER CYCLING TIMING** $(t_A=0^{\circ}\text{C to }70^{\circ}\text{C}; V_{CC}=5\text{V} \pm 5\%)$

| # | PARAMETER | SYMBOL | MIN | MAX | UNITS |
|----|------------------------------------|-----------|-----|----------|---------------|
| 32 | Slew Rate from V_{CCmin} to 3.3V | t_F | 40 | | μs |
| 33 | Crystal Start-up Time | t_{CSU} | | (note 5) | |
| 34 | Power-on Reset Delay | t_{POR} | | 21504 | t_{CLK} |

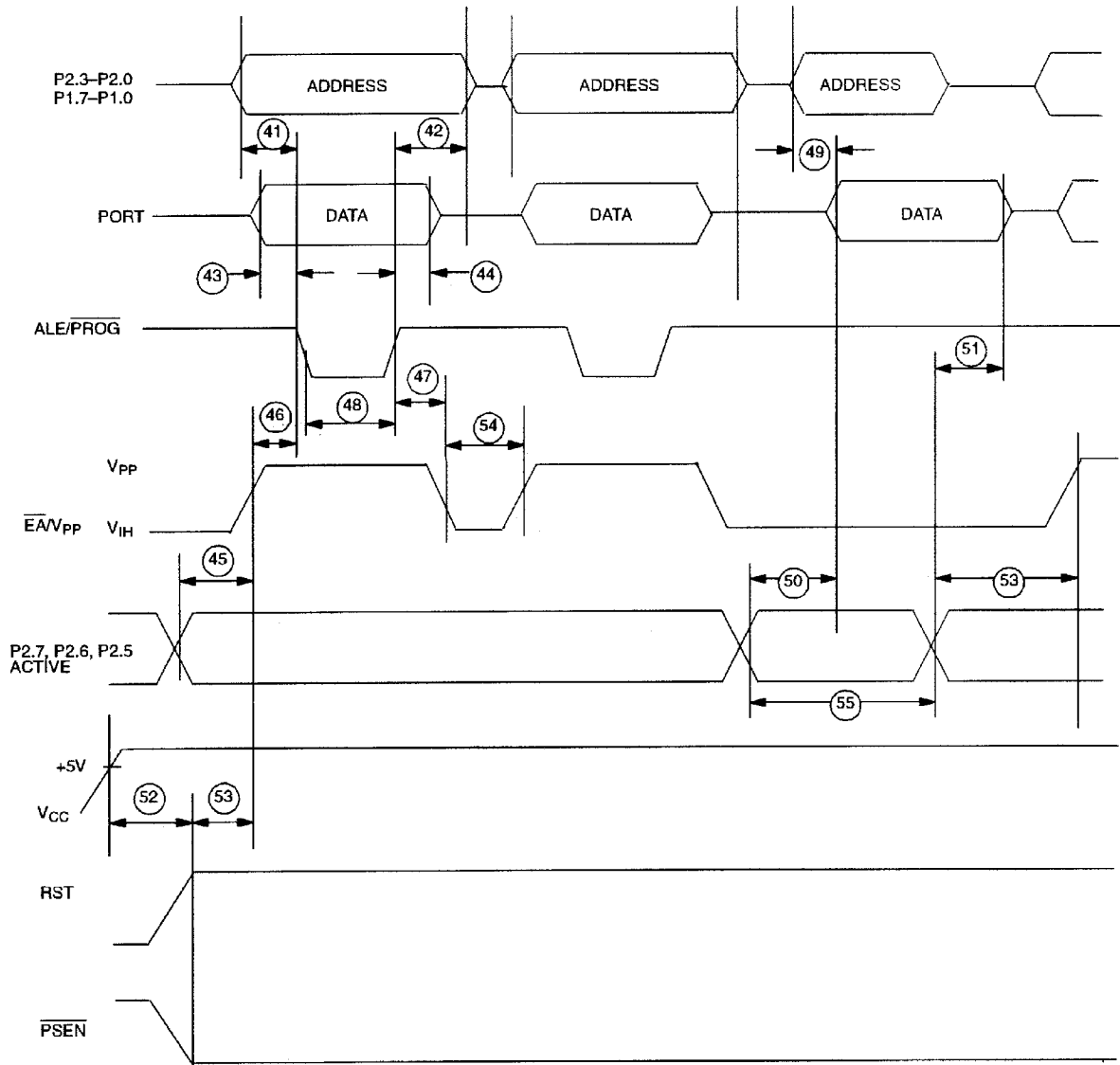
POWER CYCLE TIMING

AC CHARACTERISTICS (cont'd)**PARALLEL PROGRAM LOAD TIMING** $(t_A=0^{\circ}\text{C to }70^{\circ}\text{C}; V_{CC}=5\text{V} \pm 5\%)$

| # | PARAMETER | SYMBOL | MIN | MAX | UNITS |
|----|---|--------------|-------------|-------------|-----------|
| 40 | Oscillator Frequency | $1/t_{CLK}$ | 1.0 | 12.0 | MHz |
| 41 | Address Setup to \overline{PROG} Low | t_{AVPRL} | 0 | | |
| 42 | Address Hold after \overline{PROG} High | t_{PRHAV} | 0 | | |
| 43 | Data Setup to \overline{PROG} Low | t_{DVPRL} | 0 | | |
| 44 | Data Hold after \overline{PROG} High | t_{PRHDV} | 0 | | |
| 45 | P2.7, 2.6, 2.5 Setup to V_{PP} | t_{P27HVP} | 0 | | |
| 46 | V_{PP} Setup to \overline{PROG} Low | t_{VPPRL} | 0 | | |
| 47 | V_{PP} Hold after \overline{PROG} Low | t_{PRHVPL} | 0 | | |
| 48 | \overline{PROG} Width Low | t_{PRW} | 2400 | | t_{CLK} |
| 49 | Data Output from Address Valid | t_{AVDV} | | 48 1800* | t_{CLK} |
| 50 | Data Output from P2.7 Low | t_{DVP27L} | | 48 1800* | t_{CLK} |
| 51 | Data Float after P2.7 High | t_{P27HDZ} | 0 | 48 1800* | t_{CLK} |
| 52 | Delay to Reset/ \overline{PSEN} Active after Power On | t_{PORPV} | 21504 | | t_{CLK} |
| 53 | Reset/ \overline{PSEN} Active (or Verify Inactive) to V_{PP} High | t_{RAVPH} | 1200 | | t_{CLK} |
| 54 | V_{PP} Inactive (Between Program Cycles) | t_{VPPPC} | 1200 | | t_{CLK} |
| 55 | Verify Active Time | t_{VFT} | 48 2400* | | t_{CLK} |

* Second set of numbers refers to expanded memory programming up to 32k bytes.

PARALLEL PROGRAM LOAD TIMING

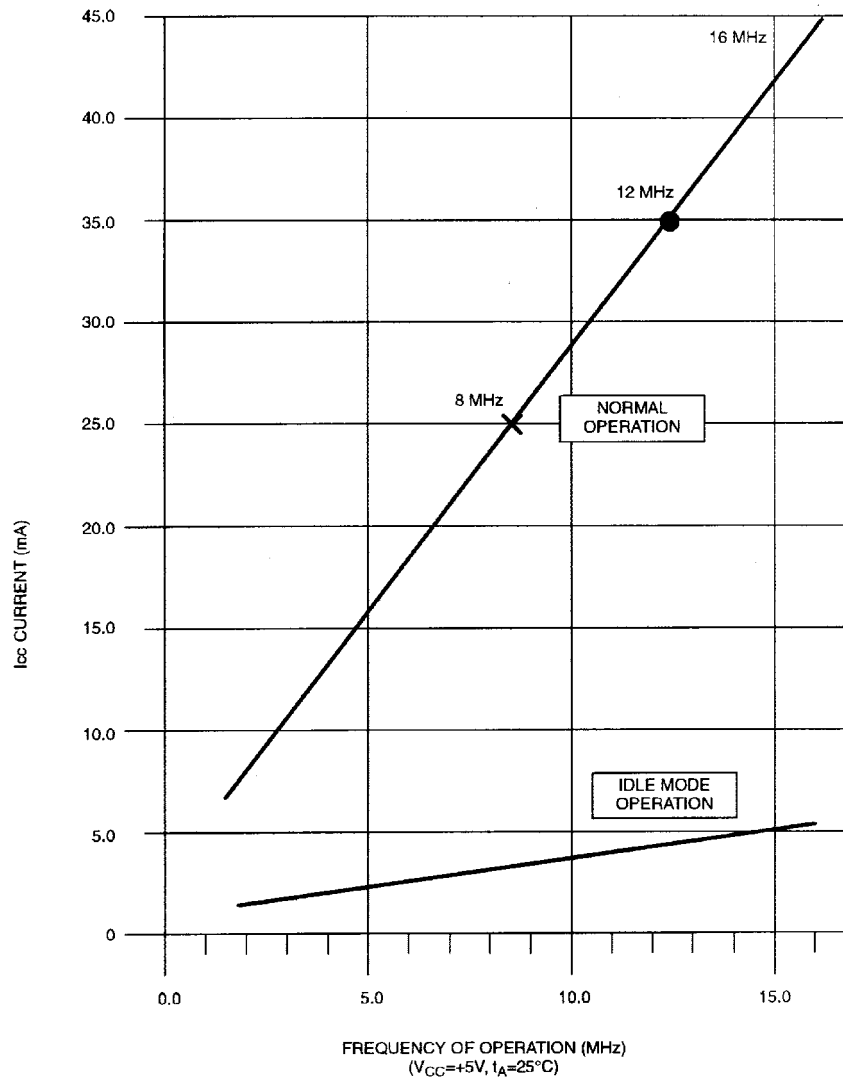


CAPACITANCE

(test frequency=1MHz; $t_A=25^\circ\text{C}$)

| PARAMETER | SYMBOL | MIN | TYP | MAX | UNITS | NOTES |
|--------------------|--------|-----|-----|-----|-------|-------|
| Output Capacitance | C_O | | | 10 | pF | |
| Input Capacitance | C_I | | | 10 | pF | |

DS5000(T) TYPICAL I_{CC} VS. FREQUENCY



Normal operation is measured using:

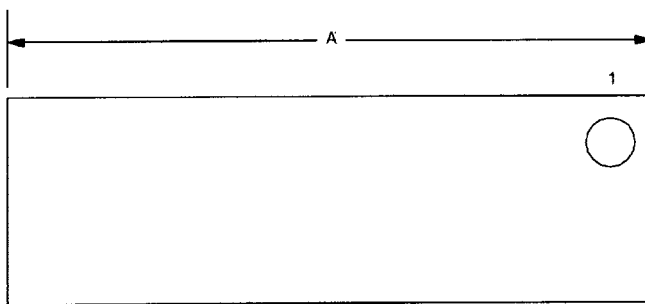
- 1) External crystals on XTAL1 and 2
- 2) All port pins disconnected
- 3) RST=0 volts and EA= V_{CC}
- 4) Part performing endless loop writing to internal memory

Idle mode operation is measured using:

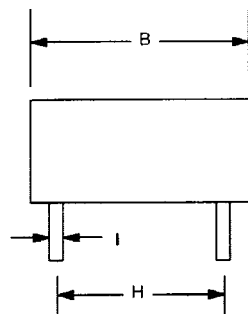
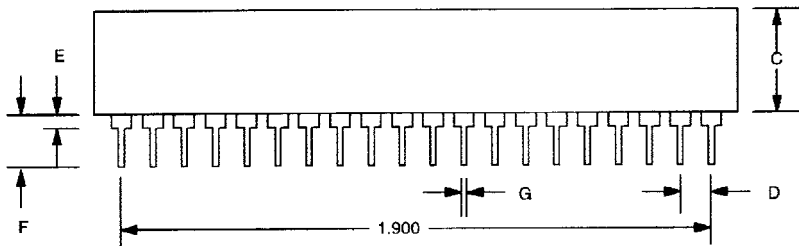
- 1) External clock source at XTAL1; XTAL2 floating
- 2) All port pins disconnected
- 3) RST=0 volts and EA= V_{CC}
- 4) Part set in IDLE mode by software

NOTES:

1. All voltages are referenced to ground.
2. Maximum operating I_{CC} is measured with all output pins disconnected; XTAL1 driven with t_{CLKR} , $t_{CLKF} = 10$ ns, $V_{IL} = 0.5V$; XTAL2 disconnected; $\overline{EA} = RST = PORT0 = V_{CC}$.
3. Idle mode I_{CC} is measured with all output pins disconnected; XTAL1 driven with t_{CLKR} , $t_{CLKF} = 10$ ns, $V_{IL} = 0.5V$; XTAL2 disconnected; $\overline{EA} = PORT0 = V_{CC}$, $RST = V_{SS}$.
4. Stop mode I_{CC} is measured with all output pins disconnected; $\overline{EA} = PORT0 = V_{CC}$; XTAL2 not connected; $RST = V_{SS}$.
5. Crystal start-up time is the time required to get the mass of the crystal into vibrational motion from the time that power is first applied to the circuit until the first clock pulse is produced by the on-chip oscillator. The user should check with the crystal vendor for the worst case spec on this time.

PACKAGE DRAWING

| DIM | INCHES | |
|-------|--------|-------|
| | MIN | MAX |
| A IN. | 2.080 | 2.100 |
| B IN. | 0.680 | 0.700 |
| C IN. | 0.290 | 0.325 |
| D IN. | 0.090 | 0.110 |
| E IN. | 0.030 | 0.060 |
| F IN. | 0.145 | 0.185 |
| G IN. | 0.016 | 0.020 |
| H IN. | 0.590 | 0.610 |
| I IN. | 0.009 | 0.015 |



DATA SHEET REVISION SUMMARY

| REVISION | DESCRIPTION |
|---------------------|--|
| 072095 to 072496 | Corrected Figure 3 to show RST active high. Added <i>Data Sheet Revision Summary</i> section. |
| 112299 | Converted from Interleaf to Word. |
| 070706 | <p>Page 1: Features Added “at Room Temperature” to “Maintains All Nonvolatile Resources Up to 10 Years in the Absence of V_{CC}” bullet.</p> <p>Page 2: Ordering Information Removed 8kB parts from list; added 32kB and lead-free packages.</p> <p>Page 8: Development Support Updated paragraph to reflect availability of DS89C450-K00 evaluation kit, not DS5000TK.</p> <p>Page 9: Absolute Maximum Ratings Changed “260°C for 10 seconds” to “See IPC/JEDEC J-STD-020 Specification.”</p> <p>Pages 1, 4, 8: Replaced references to “User’s Guide section of Secure Microcontroller Data Book” with “Secure Microcontroller User’s Guide.”</p> |