

Rectifier Diode

DS502



Technical Data

Typical applications :All purpose high power rectifier diodes, Non-controllable and half controlled rectifiers . Free-wheeling diodes & welding.

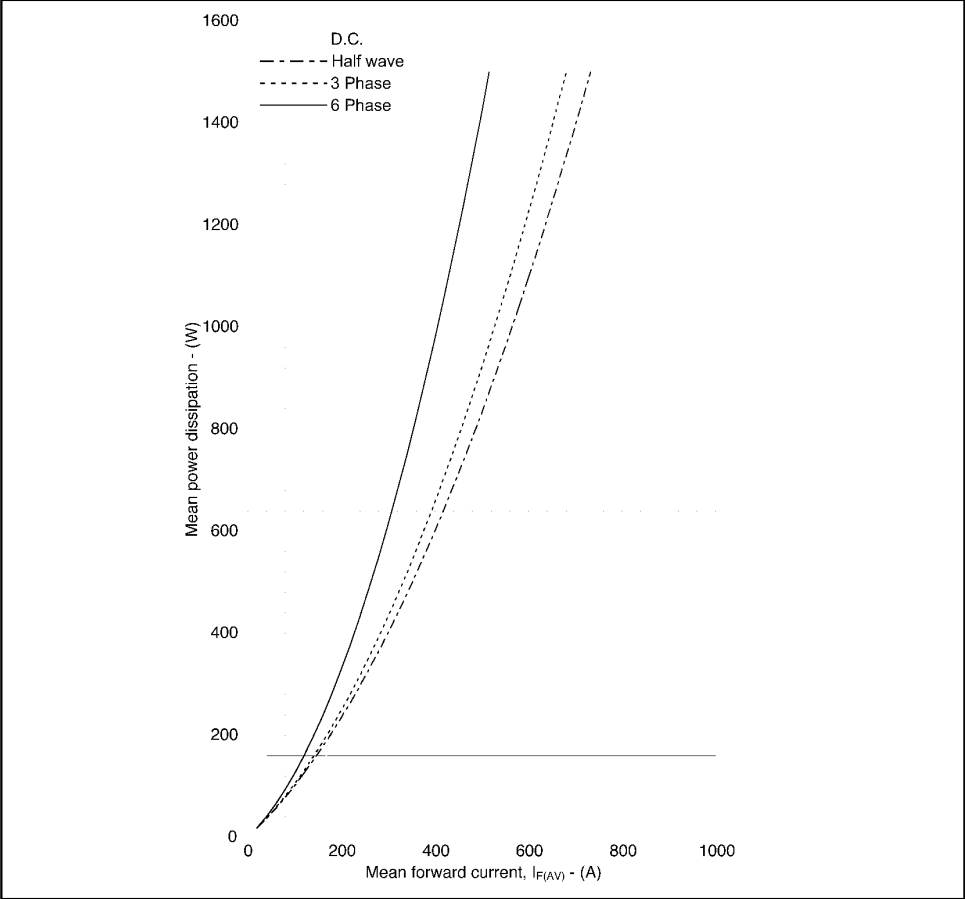
Type No.	V_{RRM} (Volts)	V_{RSM} (Volts)
DS502/04	400	500
DS502/08	800	900
DS502/12	1200	1300
DS502/14	1400	1500

Features

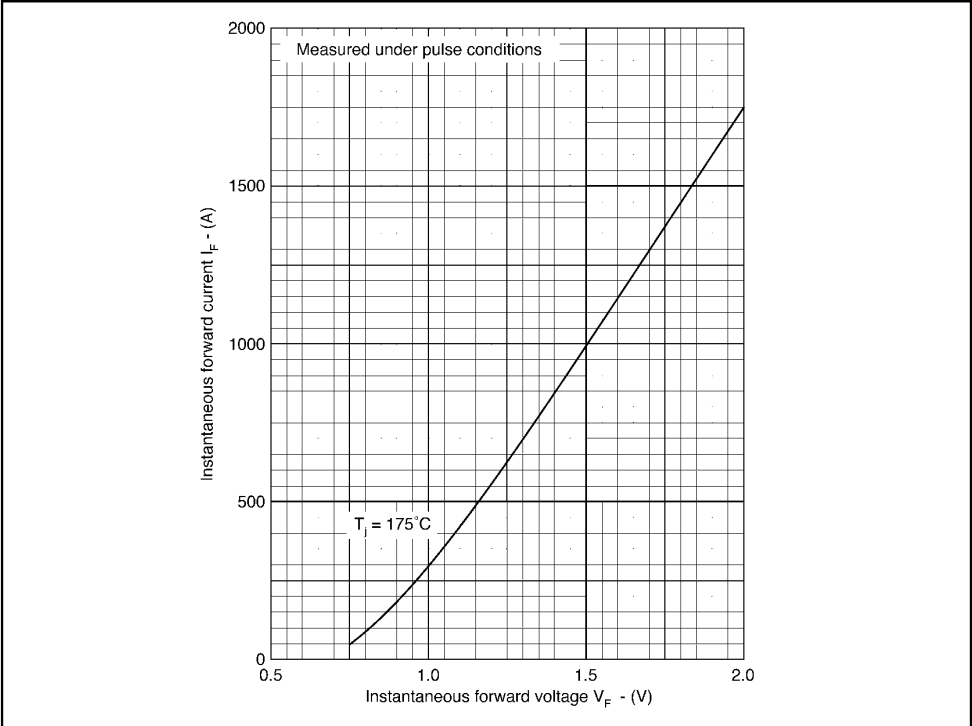
- Reverse voltage upto 1400V.
- Double side cooling.
- High surge capability.

Symbol	Conditions	Values
$I_{F(AV)}$	Sin 180 ; Tcase = 100 °C	540 A
I_{FSM}	Tvj = 175 °C ; 10 ms, $V_{RRM} = 50\%$	6500 KA
	Tvj = 175 °C ; 10 ms, $V_{RRM} = 0$	8000 KA
I^2t	Tvj = 175 °C, $V_{RRM} = 50\%$	211000 A ² s
	Tvj = 175 °C, $V_{RRM} = 0$	320000 A ² s
I_{RRM}	Tvj = 175 °C	30 mA max
V_F	Tvj = 25 °C ; $I_F = 600$ A	1.25 V max
V_0	Tvj = 175 °C	0.84 V
R_0	Tvj = 175 °C	0.667 m
$R_{th(j-c)}$		0.07 °C/W
$R_{th(c-h)}$		0.02 °C/W
T_{vj}		175 °C
T_{stg}		-40.....+ 200 °C
Mounting Force	SI units	4-5.5 KN
Weight	Approx	50 g
Case outline		T

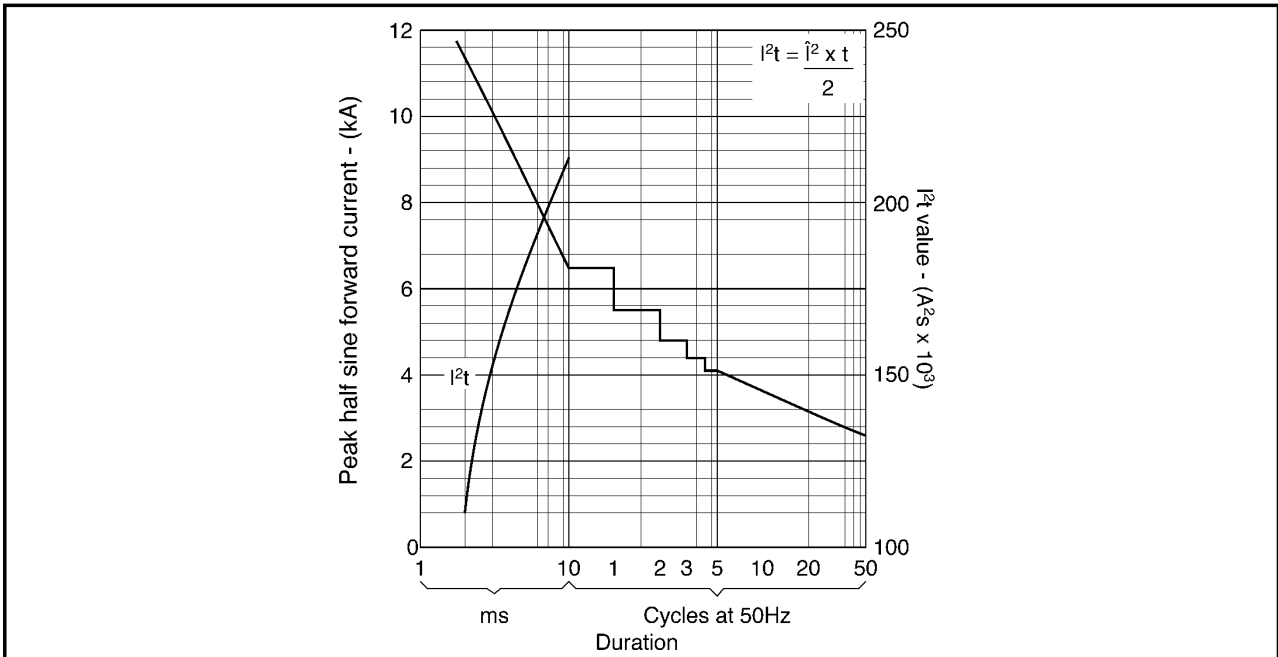




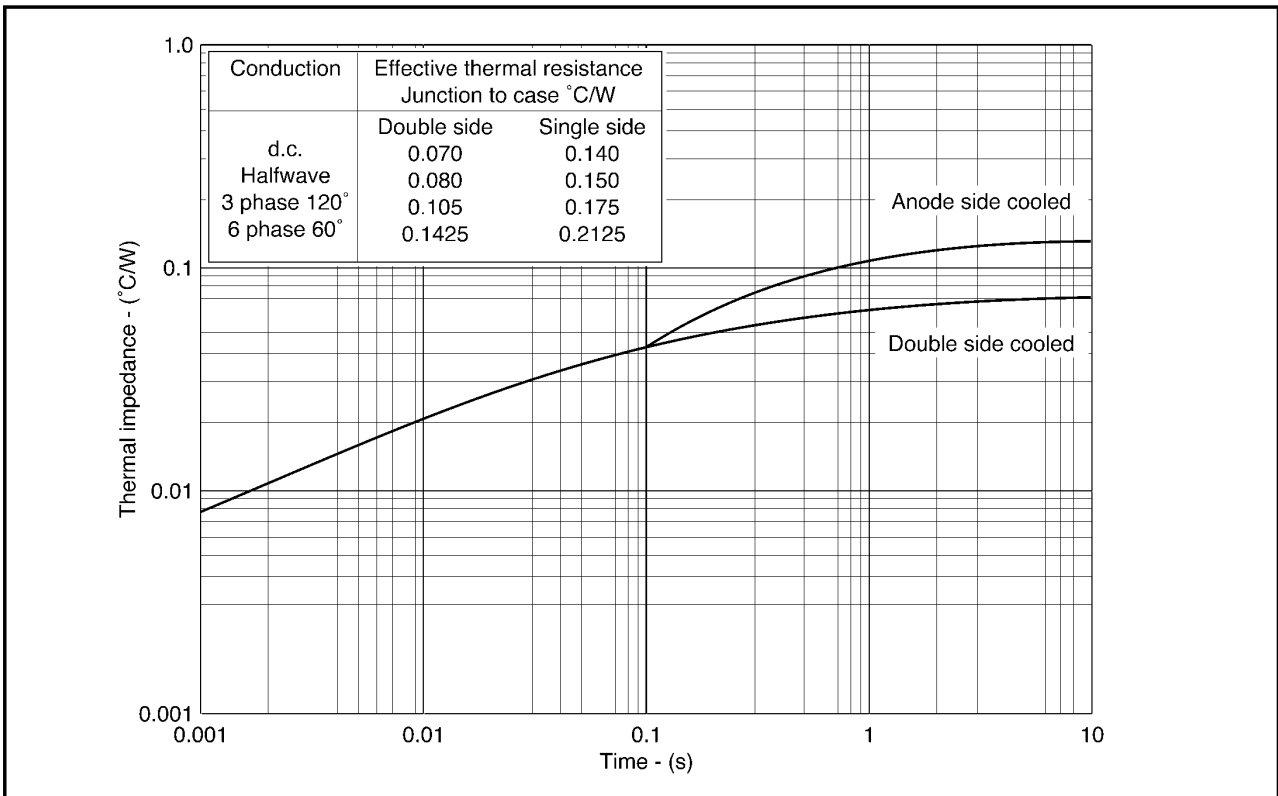
Dissipation curves



Maximum (limit) forward characteristics



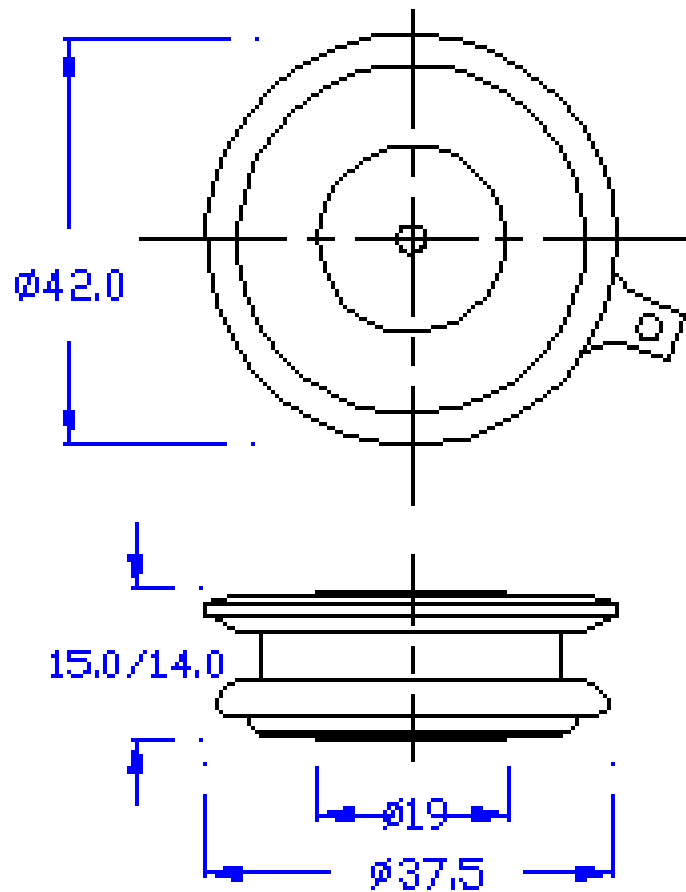
Surge (non-repetitive) forward current vs time (with 50% V_{RRM} @ $T_{case} = 175^\circ C$)



Maximum (limit) transient thermal impedance - junction to case - ($^\circ C/W$)

PACAKAGE DEATILS

DO NOT SCALE



Nominal Weight : 50g
Clamping Force : 4-5.5KN

All Dimensions in mm

Package Outline :T