



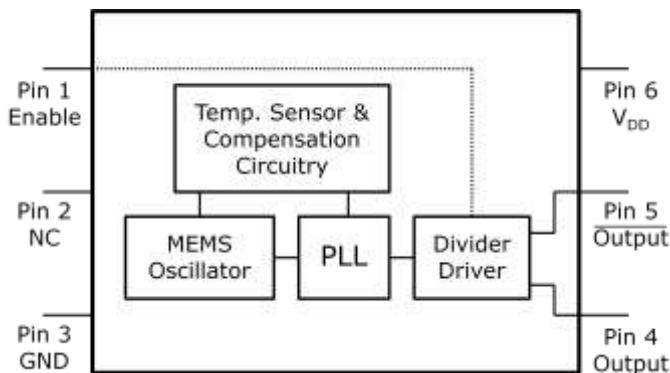
Low-Jitter Precision LVPECL Oscillator

General Description

The DSC1102 & DSC1122 series of high performance oscillators utilizes a proven silicon MEMS technology to provide excellent jitter and stability over a wide range of supply voltages and temperatures. By eliminating the need for quartz or SAW technology, MEMS oscillators significantly enhance reliability and accelerate product development, while meeting stringent clock performance criteria for a variety of communications, storage, and networking applications.

DSC1102 has a standby feature allowing it to completely power-down when EN pin is pulled low; whereas for DSC1122, only the outputs are disabled when EN is low. Both oscillators are available in industry standard packages, including the small 3.2x2.5 mm², and are “drop-in” replacements for standard 6-pin LVPECL quartz crystal oscillators.

Block Diagram



Output Enable Modes

EN Pin	DSC1102	DSC1122
High	Outputs Active	Outputs Active
NC	Outputs Active	Outputs Active
Low	Standby	Outputs Disabled

Features

- **Low RMS Phase Jitter: <1 ps (typ)**
- **High Stability: ±10, ±25, ±50 ppm**
- **Wide Temperature Range**
 - Industrial: -40° to 85° C
 - Ext. commercial: -20° to 70° C
- **High Supply Noise Rejection: -50 dBc**
- **Short Lead Time: 2 Weeks**
- **Wide Freq. Range: 2.3 to 460 MHz**
- **Small Industry Standard Footprints**
 - 2.5x2.0, 3.2x2.5, 5.0x3.2, & 7.0x5.0 mm
- **Excellent Shock & Vibration Immunity**
 - Qualified to MIL-STD-883
- **High Reliability**
 - 20x better MTF than quartz oscillators
- **Low Current Consumption**
- **Supply Range of 2.25 to 3.6 V**
- **Standby & Output Enable Function**
- **Lead Free & RoHS Compliant**
- **LVDS & HCSL Versions Available**
- **AEC-Q100 Automotive Qualified**

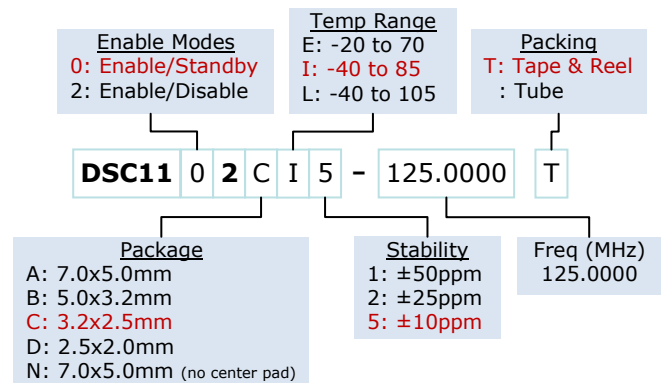
Applications

- **Storage Area Networks**
 - SATA, SAS, Fibre Channel
- **Passive Optical Networks**
 - EPON, 10G-EPON, GPON, 10G-PON
- **Ethernet**
 - 1G, 10GBASE-T/KR/LR/SR, and FCoE
- **HD/SD/SDI Video & Surveillance**
- **PCI Express: Gen 1 & Gen 2**
- **DisplayPort**

Absolute Maximum Ratings

Item	Min	Max	Unit	Condition
Supply Voltage	-0.3	+4.0	V	
Input Voltage	-0.3	$V_{DD}+0.3$	V	
Junction Temp	-	+150	°C	
Storage Temp	-55	+150	°C	
Soldering Temp	-	+260	°C	40sec max.
ESD	-		V	
HBM		4000		
MM		400		
CDM		1500		

Ordering Code



Note: 1000+ years of data retention on internal memory

Specifications

Parameter	Condition	Min.	Typ.	Max.	Unit
Supply Voltage ¹	V_{DD}	2.25		3.6	V
Supply Current	I_{DD} EN pin low – outputs are disabled DSC1102 DSC1122		20	0.095 22	mA
Frequency Stability	Δf Includes frequency variations due to initial tolerance, temp. and power supply voltage			±10 ±25 ±50	ppm
Aging	Δf 1 year @25°C			±5	ppm
Startup Time ²	t_{SU} T=25°C			5	ms
Input Logic Levels Input logic high Input logic low	V_{IH} V_{IL}	0.75x V_{DD} -		- 0.25x V_{DD}	V
Output Disable Time ³	t_{DA}			5	ns
Output Enable Time	t_{EN} DSC1102 DSC1122			5 20	ms ns
Enable Pull-Up Resistor ⁴	Pull-up resistor exist		40		kΩ
LVPECL Outputs					
Supply Current	I_{DD} Output Enabled, $R_L=50\Omega$		56.5	58	mA
Output Logic Levels Output logic high Output logic low	V_{OH} V_{OL} $R_L=50\Omega$	$V_{DD}-1.08$ -		- $V_{DD}-1.55$	V
Pk to Pk Output Swing	Single-Ended		800		mV
Output Transition time ³ Rise Time Fall Time	t_R t_F 20% to 80% $R_L=50\Omega$, $C_L=0pF$		250		ps
Frequency	f_0 Single Frequency	2.3		460	MHz
Output Duty Cycle	SYM Differential	48		52	%
Period Jitter	J_{PER}		2.5		ps _{RMS}
Integrated Phase Noise	J_{PH} 200kHz to 20MHz @156.25MHz 100kHz to 20MHz @156.25MHz 12kHz to 20MHz @156.25MHz		0.25 0.38 1.7	2	ps _{RMS}

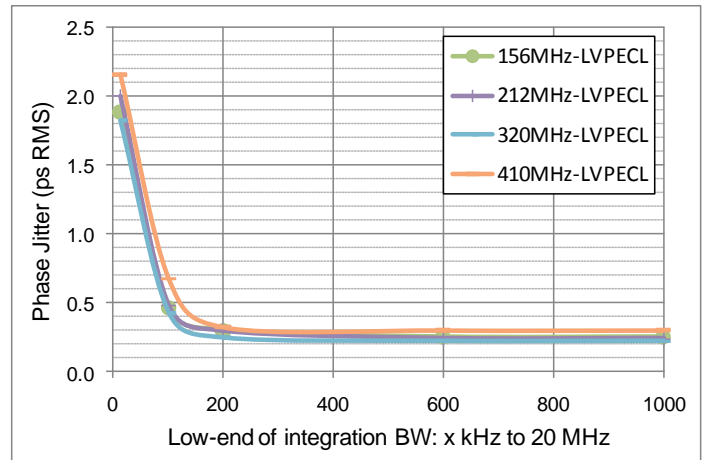
Notes:

- Pin 6 V_{DD} should be filtered with 0.1uF capacitor.
- t_{SU} is time to 100ppm of output frequency after V_{DD} is applied and outputs are enabled.
- Output Waveform and Test Circuit figures below define the parameters.
- Output is enabled if pad is floated or not connected.

Nominal Performance Parameters (Unless specified otherwise: $T=25^{\circ}C$, $V_{DD}=3.3V$)



Power supply rejection ratio

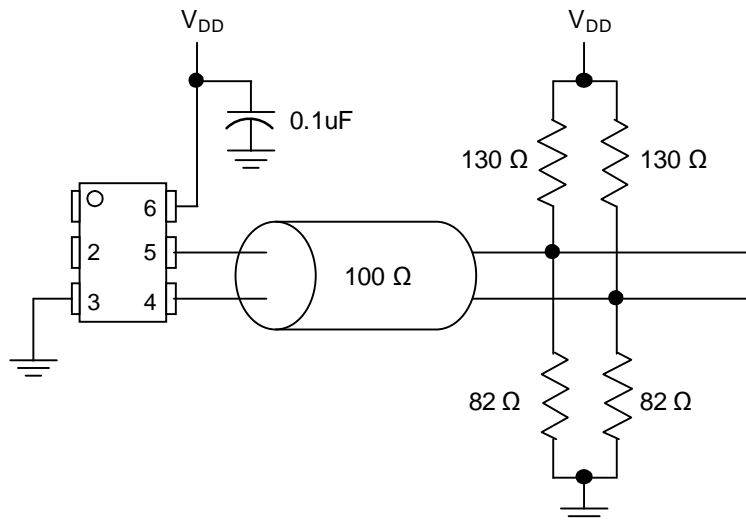


Phase jitter (integrated phase noise)

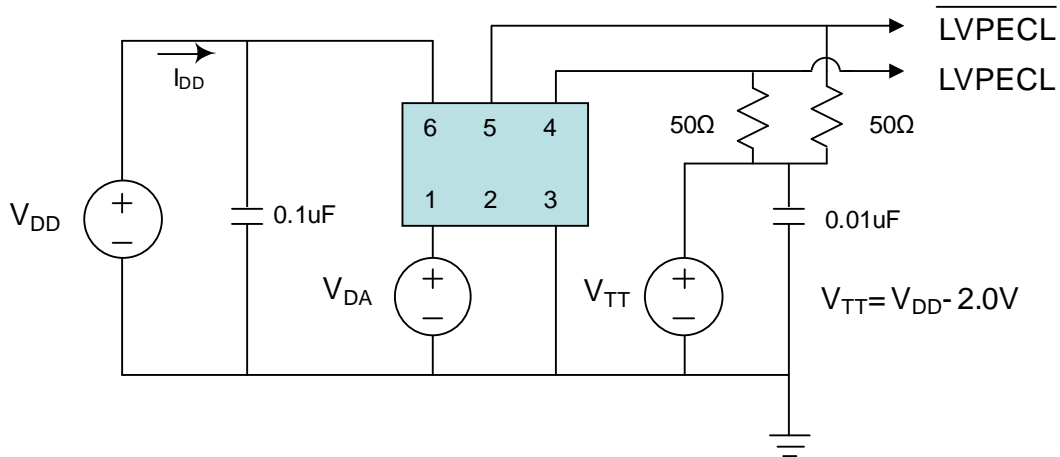
Output Waveform



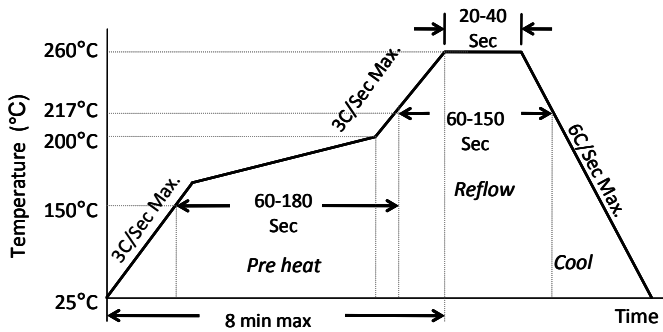
Typical Termination Scheme



Test Circuit



Solder Reflow Profile

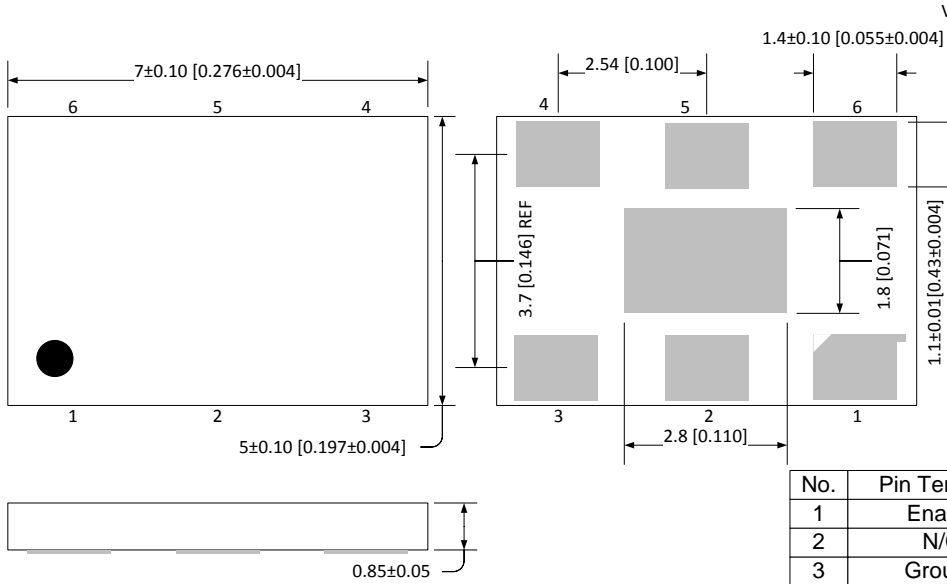


MSL 1 @ 260°C refer to JSTD-020C	
Ramp-Up Rate (200°C to Peak Temp)	3°C/Sec Max.
Preheat Time 150°C to 200°C	60-180 Sec
Time maintained above 217°C	60-150 Sec
Peak Temperature	255-260°C
Time within 5°C of actual Peak	20-40 Sec
Ramp-Down Rate	6°C/Sec Max.
Time 25°C to Peak Temperature	8 min Max.

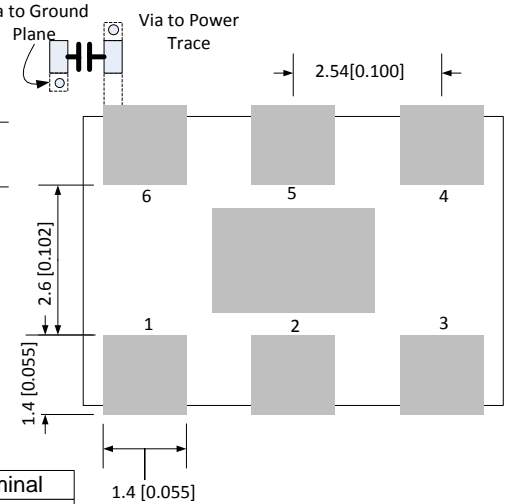
Package Dimensions

7.0 x 5.0 mm Plastic Package

EXTERNAL DIMENSIONS
Units: mm [inches]



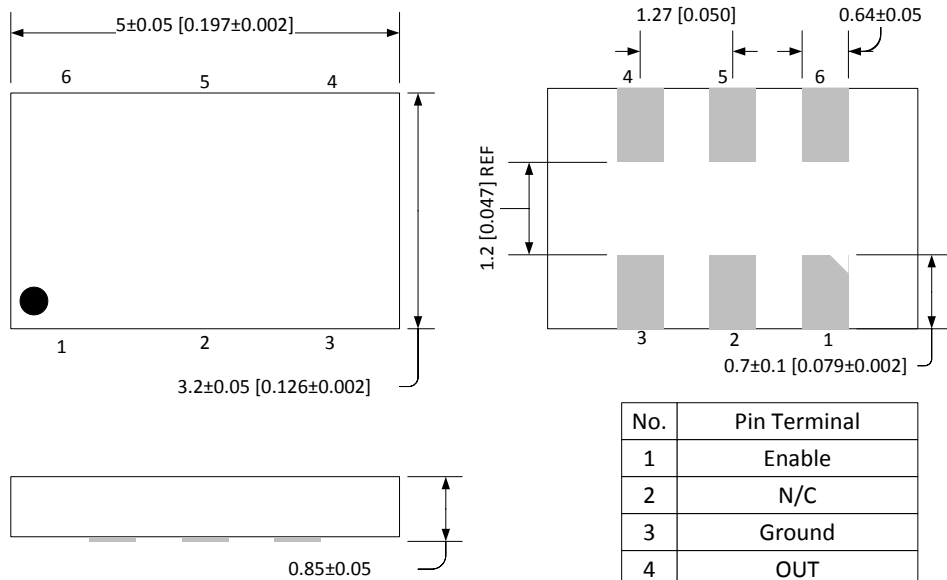
RECOMMENDED SOLDER PAD LAYOUT
Units: mm [inches]



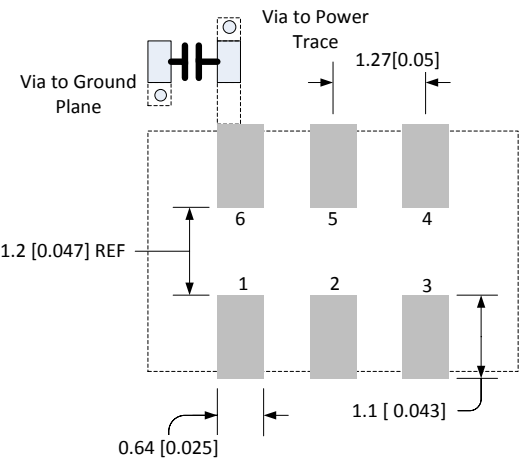
No.	Pin Terminal
1	Enable
2	N/C
3	Ground
4	OUT
5	OUT-
6	VDD
PAD	TIE TO GND

5.0 x 3.2 mm Plastic Package

EXTERNAL DIMENSIONS
Units: mm [inches]



RECOMMENDED SOLDER PAD LAYOUT
Units: mm [inches]

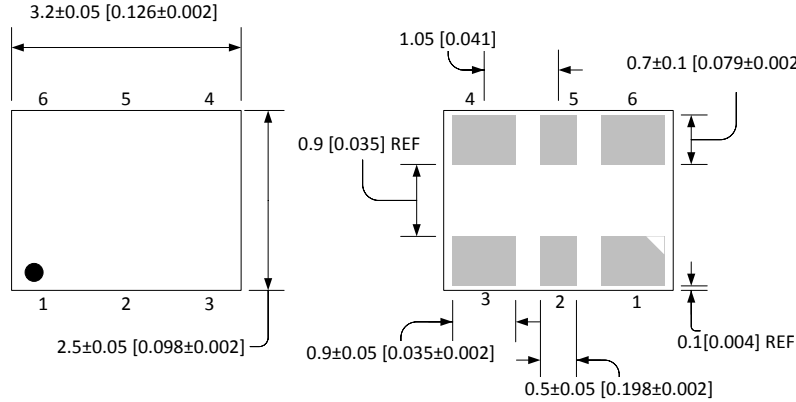


No.	Pin Terminal
1	Enable
2	N/C
3	Ground
4	OUT
5	OUT-
6	VDD

3.2 x 2.5 mm Plastic Package

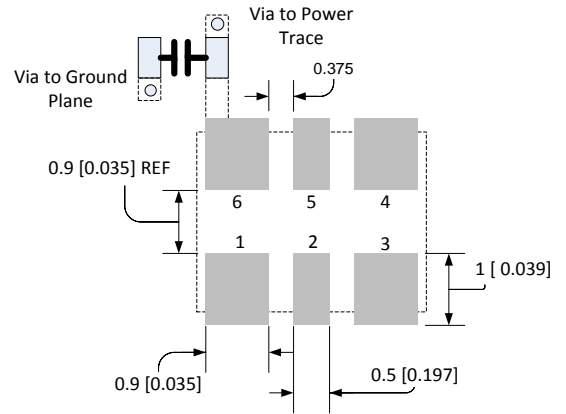
EXTERNAL DIMENSIONS

Units: mm [inches]



RECOMMENDED SOLDER PAD LAYOUT

Units: mm [inches]

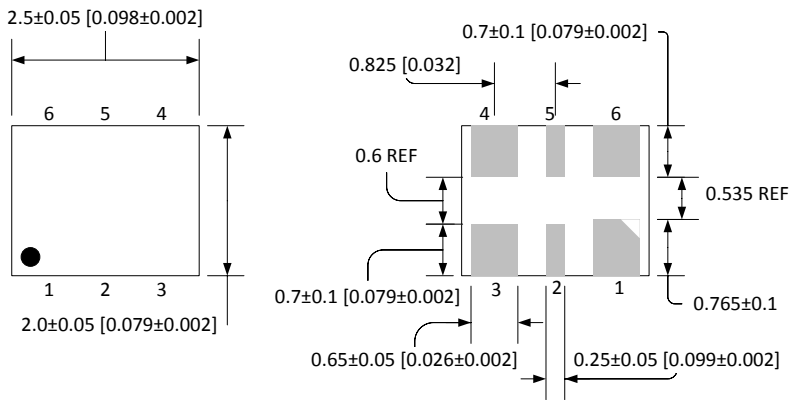


No.	Pin Terminal
1	Enable
2	N/C
3	Ground
4	OUT
5	OUT-
6	VDD

2.5 x 2.0 mm Plastic Package

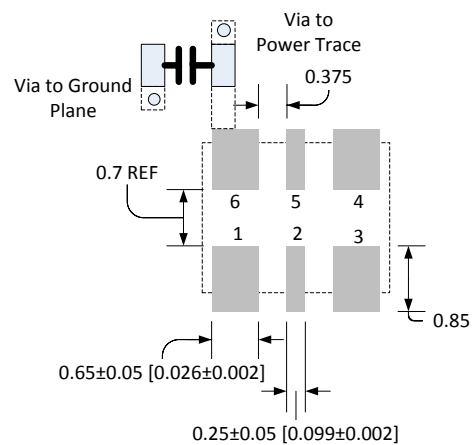
EXTERNAL DIMENSIONS

Units: mm [inches]



RECOMMENDED SOLDER PAD LAYOUT

Units: mm [inches]

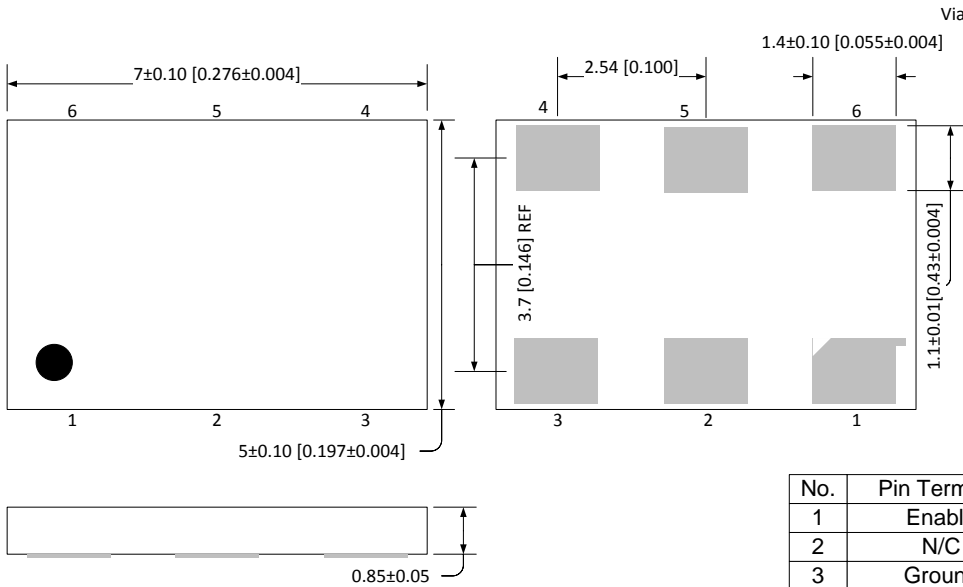


No.	Pin Terminal
1	Enable
2	N/C
3	Ground
4	OUT
5	OUT-
6	VDD

7.0 x 5.0 mm Plastic Package

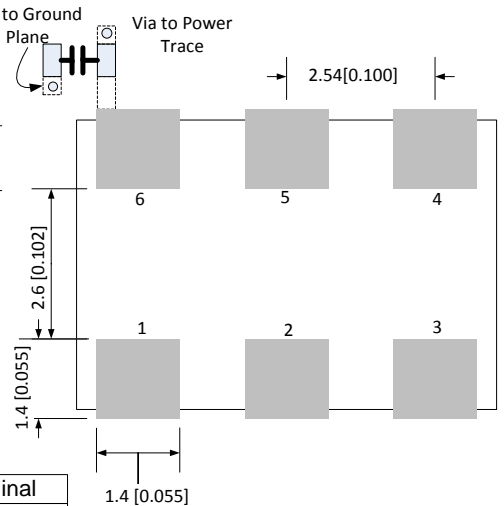
EXTERNAL DIMENSIONS

Units: mm [inches]



RECOMMENDED SOLDER PAD LAYOUT

Units: mm [inches]



No.	Pin Terminal
1	Enable
2	N/C
3	Ground
4	OUT
5	OUT-
6	VDD

Disclaimer:

Micrel makes no representations or warranties with respect to the accuracy or completeness of the information furnished in this data sheet. This information is not intended as a warranty and Micrel does not assume responsibility for its use. Micrel reserves the right to change circuitry, specifications and descriptions at any time without notice. No license, whether express, implied, arising by estoppel or otherwise, to any intellectual property rights is granted by this document. Except as provided in Micrel's terms and conditions of sale for such products, Micrel assumes no liability whatsoever, and Micrel disclaims any express or implied warranty relating to the sale and/or use of Micrel products including liability or warranties relating to fitness for a particular purpose, merchantability, or infringement of any patent, copyright or other intellectual property right.

Micrel Products are not designed or authorized for use as components in life support appliances, devices or systems where malfunction of a product can reasonably be expected to result in personal injury. Life support devices or systems are devices or systems that (a) are intended for surgical implant into the body or (b) support or sustain life, and whose failure to perform can be reasonably expected to result in a significant injury to the user. A Purchaser's use or sale of Micrel Products for use in life support appliances, devices or systems is a Purchaser's own risk and Purchaser agrees to fully indemnify Micrel for any damages resulting from such use or sale.

MICREL, Inc.
Phone: +1 (408) 944-0800

•

2180 Fortune Drive,
Fax: +1 (408) 474-1000

San Jose, California 95131
• Email: hbwhelp@micrel.com

•

USA
www.micrel.com

Micrel:

DSC1122AE2-100.0000 DSC1122AI2-106.2500T DSC1122AI2-155.5200T DSC1122BE1-150.0000T DSC1122BE2-018.4320T DSC1122BE2-100.0000T DSC1122BE2-312.5000T DSC1122BE2-322.5600T DSC1122BI2-148.5000 DSC1122BI2-148.5000T DSC1122CI2-133.3300T DSC1122CI5-025.0000 DSC1122CI5-025.0000T DSC1122CI5-156.2500 DSC1122CI5-156.2500T DSC1122AI1-078.1250T DSC1122AE1-025.0000 DSC1122CI1-156.2500T DSC1122DI2-156.2500 DSC1122CI5-068.0000T DSC1122BI5-148.5000T DSC1102CI5-100.0000 DSC1122AI2-155.5200 DSC1102AI2-200.0000 DSC1122AE1-150.0000T DSC1122CI2-151.0000 DSC1122CI2-150.7500 DSC1122BI5-148.3516 DSC1122CI2-150.5000T DSC1122DI2-156.2500T DSC1122BI5-148.5000 DSC1122CI5-364.0000T DSC1122CI5-047.9980 DSC1122AI2-400.0000 DSC1122CI5-048.0020 DSC1122AI2-125.0000 DSC1102AE1-125.0000T DSC1122CI2-150.2500 DSC1122CI5-047.9980T DSC1122AI1-078.1250 DSC1122AE1-150.0000 DSC1122CI2-100.0000 DSC1122AI2-312.5000T DSC1122CI5-364.0000 DSC1122CI5-077.0000T DSC1122CI5-048.0020T DSC1102AI2-200.0000T DSC1122BI2-156.2539 DSC1122CI5-400.0000 DSC1122AI2-312.5000 DSC1122BE1-125.0000T DSC1122AI2-400.0000T DSC1122CI5-074.0000 DSC1122CI5-077.0000 DSC1102CI5-100.0000T DSC1122CI5-400.0000T DSC1122CI2-150.7500T DSC1122BE1-125.0000 DSC1122CI5-074.0000T DSC1122CI5-047.9990 DSC1122CI5-048.0000T DSC1122CI2-150.2500T DSC1122BE2-156.2500T DSC1122DI2-125.0000B DSC1122CI2-062.5000 DSC1122CI1-156.2500 DSC1122BI5-148.3516T DSC1122CI5-047.9990T DSC1122CI5-071.0000T DSC1122AE1-025.0000T DSC1122CI5-068.0000 DSC1122CI5-048.0000 DSC1122CI5-071.0000 DSC1122CI2-150.5000 DSC1122CI2-062.5000T DSC1122CI2-151.0000T DSC1102AE1-125.0000 DSC1122CE5-048.0000 DSC1122CE5-048.0000T DSC1122NE1-025.0000 DSC1122NI2-125.0000T DSC1102BI5-156-2500 DSC1122CI2-200.0000 DSC1122NL2-025.0006T DSC1122CI5-156.2422 DSC1122CE5-364.0000T DSC1122CE5-071.0000 DSC1122CE5-364.0000 DSC1102BI2-240.0000T DSC1122NL2-025.0006 DSC1122CI2-050.0000T DSC1122CE5-074.0000 DSC1122CE5-074.0000T DSC1122NI2-156.2500 DSC1122CE5-047.9980 DSC1102DI5-108.0000 DSC1122DI2-100.0000T DSC1102CL1-100.0000 DSC1102BI5-156.2500T DSC1102AE1-156.2500T