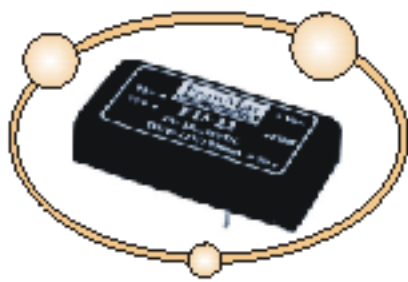




# 15Watt Wide Input DC to DC Converters



## FEATURES

15W Isolated Output  
Pi Input Filter  
High Efficiency UP To 82%

2:1 Input Range  
Conductive EMI Meet EN55022 Class A  
Continuous Short Circuit Protection

## SPECIFICATIONS

All Specifications are Typical at Nominal Line, Full Load and 25°C Unless Otherwise Noted.

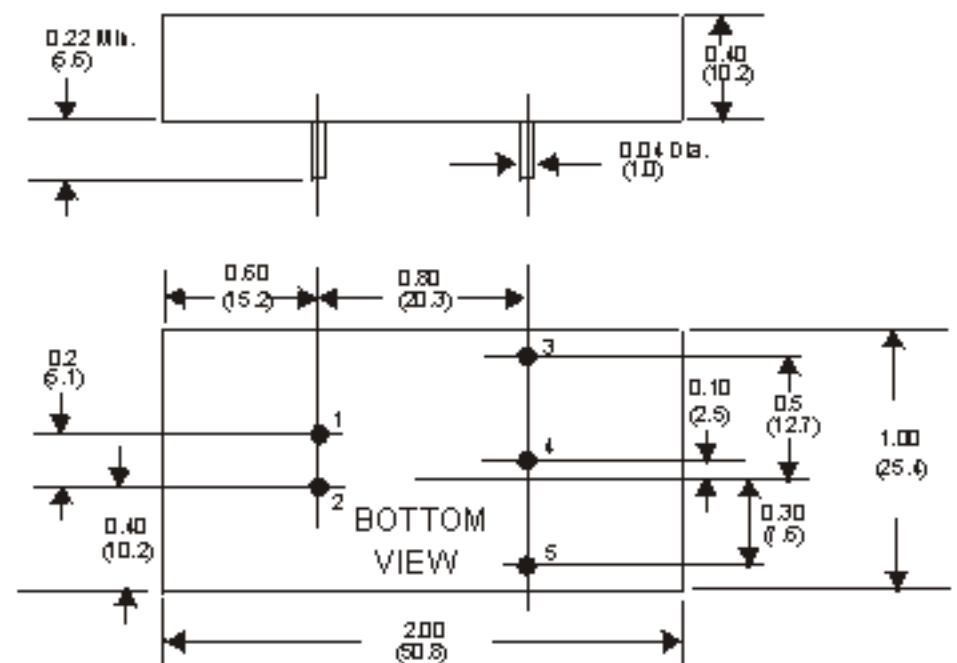
- ◆ Input Voltage Range:.....12V(Range 9-18V)  
.....24V(Range 9-36V)  
.....48V(Range 18-72V)
- ◆ Input Filter..... Pi Type
- ◆ Voltage Accuracy:
  - Single Output:..... ± 1% max.
  - Dual +Output:..... ± 1% max.
  - Dual -Output:..... ± 1% max.
- ◆ Voltage Balance(Dual):..... ± 1% max.
- ◆ Transient Response:
  - Single,25% Step Load Change:.....<500u sec.
  - Dual FL,1/2L ± 1% Error Band:.....<500 sec.
- ◆ Ripple & Noise(20MHz BW):.....100mVp-p max.
- ◆ Temperature Coefficient:..... ± 0.02%/°C max.
- ◆ Short Circuit Protection:.....Continuous.
- ◆ Line Regulation:
  - Single/Dual Output :(HL-LL)..... ± 0.2% max.
- ◆ Load Regulation:
  - Single/Dual Output:(FL-25%FL)..... ± 1.0% max.
- ◆ Efficiency:.....See Model List.
- ◆ Isolation Voltage:.....500VDC.
- ◆ Isolation Resistance:.....10<sup>9</sup>Ω min
- ◆ Switching Frequency:.....200KHz,min.
- ◆ Operating Temperature Range: .....-25°C To+71°C
- ◆ Storage Temperature Range:.....-40°C To +100°C
- ◆ EMI/RFI.....Meet EN55022 Class A
- ◆ Dimensions CASE E:.....2x1 x0.4 inches  
(50.8x25.4x10.2mm)
- ◆ Case Material.....Black Coated Copper With  
Non-Conductive Base
- ◆ Case Temperature:.....100°C max.

## MODEL LIST

Model Number	Input Voltage	Output Voltage	Output Min.	Output Max.	Current No Load	Current Full Load	EEF.	Case
Single Output Models								
E15-10	9-18VDC	3.3VDC	150mA	3000mA	20mA	1086mA	76%	E
E15-11	9-18VDC	5VDC	150mA	3000mA	20mA	1650mA	77%	E
E15-12	9-18VDC	12VDC	65mA	1250mA	20mA	1570mA	80%	E
E15-13	9-18VDC	15VDC	50mA	1000mA	20mA	1570mA	80%	E
E15-20	18-36VDC	3.3VDC	150mA	3000mA	20mA	543mA	76%	E
E15-21	18-36VDC	5VDC	150mA	3000mA	20mA	780mA	80%	E
E15-22	18-36VDC	12VDC	65mA	1250mA	20mA	762mA	82%	E
E15-23	18-36VDC	15VDC	50mA	1000mA	20mA	762mA	82%	E
E15-30	36-72VDC	3.3VDC	150mA	3000mA	15mA	271mA	76%	E
E15-31	36-72VDC	5VDC	150mA	3000mA	15mA	391mA	80%	E
E15-32	36-72VDC	12VDC	65mA	1250mA	15mA	377mA	83%	E
E15-33	36-72VDC	15VDC	50mA	1000mA	15mA	377mA	83%	E
Dual Output Models								
E15-14	9-18VDC	± 5VDC	± 75mA	± 1500mA	30mA	1543mA	81%	E
E15-15	9-18VDC	± 12VDC	± 35mA	± 625mA	30mA	1506mA	83%	E
E15-16	9-18VDC	± 15VDC	± 25mA	± 500mA	30mA	1506mA	83%	E
E15-24	18-36VDC	± 5VDC	± 75mA	± 1500mA	25mA	772mA	81%	E
E15-25	18-36VDC	± 12VDC	± 35mA	± 625mA	25mA	755mA	83%	E
E15-26	18-36VDC	± 15VDC	± 25mA	± 500mA	25mA	755mA	83%	E
E15-34	36-72VDC	± 5VDC	± 75mA	± 1500mA	20mA	381mA	82%	E
E15-35	36-72VDC	± 12VDC	± 35mA	± 625mA	20mA	377mA	83%	E
E15-36	36-72VDC	± 15VDC	± 25mA	± 500mA	20mA	377mA	83%	E

## CASE E [Click to enlarge](#)

All Dimensions in Inches (mm)



Pin Connections		
Pin	Single	Dual
1	Vi+	Vi+
2	Vi-	Vi-
3	Vo+	Vo+
4	N.P.	Com
5	Vo-	Vo-