

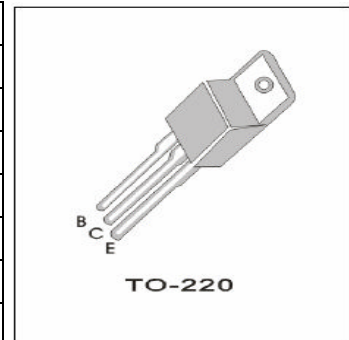
**EB SERIES TRANSISTORS****E3150**

- **FEATURES:** ①HIGH VOLTAGE CAPABILITY ②HIGH SPEED SWITCHING ③WIDE SOA  
 ● **APPLICATION:** ①FLUORESCENT LAMP ②ELECTRONIC BALLAST

● **Absolute Maximum Ratings (Tc=25°C)**

TO-220 NPN

PARAMETER	SYMBOL	VALUE	UNIT
Collector-Base Voltage	V <sub>CB0</sub>	700	V
Collector-Emitter Voltage	V <sub>CEO</sub>	600	V
Emitter-Base Voltage	V <sub>EBO</sub>	9	V
Collector Current	I <sub>C</sub>	1.5	A
Junction Temperature	T <sub>j</sub>	150	°C
Storage Temperature	T <sub>stg</sub>	-65-150	°C

● **Electronic Characteristics (Tc=25°C)**

CHARACTERISTICS	SYMBOL	TEST CONDITION	MIN	MAX	UNIT
Collector-Base Cutoff Current	I <sub>CBO</sub>	V <sub>CB</sub> =700v		100	μA
Collector-Emitter Cutoff Current	I <sub>CEO</sub>	V <sub>CE</sub> =600v		250	μA
Collector-Emitter Voltage	V <sub>CEO</sub>	I <sub>C</sub> =10mA I <sub>B</sub> =0	600		V
Emitter-Base Voltage	V <sub>EBO</sub>	I <sub>E</sub> =1mA I <sub>C</sub> =0	9		V
Collector-Emitter Saturation Voltage	V <sub>cesat</sub>	I <sub>C</sub> =1A I <sub>B</sub> =0.25A		1.0	V
Base-Emitter Saturation Voltage	V <sub>besat</sub>	I <sub>C</sub> =0.5A I <sub>B</sub> =0.1A		1.2	V
DC Current Gain	HFE	V <sub>CE</sub> =5v I <sub>C</sub> =1mA	7		
		V <sub>CE</sub> =5v I <sub>C</sub> =0.2A	10	40	
		V <sub>CE</sub> =5v I <sub>C</sub> =1.0A	5		

● **CLASSIFICATION OF HFE**

HFE	15-20	20-25	25-30	30-35



**EB SERIES TRANSISTORS**

**E3150**

**TO-220 MECHANICAL DATA**

SYMBOL	Min	Nom	Max	SYMBOL	Min	Nom	Max
A	3.5	4.5	5.0	L	12.5	13.5	14.5
B	1.25	1.35	1.5	L1	2.5	3.37	4.5
B1	0.75	0.85	0.955	D1	5.9	6.5	7.1
b	0.6			$\phi b$			1.2
c	0.35	0.43	0.55	Q	1.5	2.5	3.5
D	14.0	15.5	16.5	Q1	2.0	2.6	3.5
E	9.0	10.0	11.0	Z	3.0	3.8	4.5
e		2.54					

