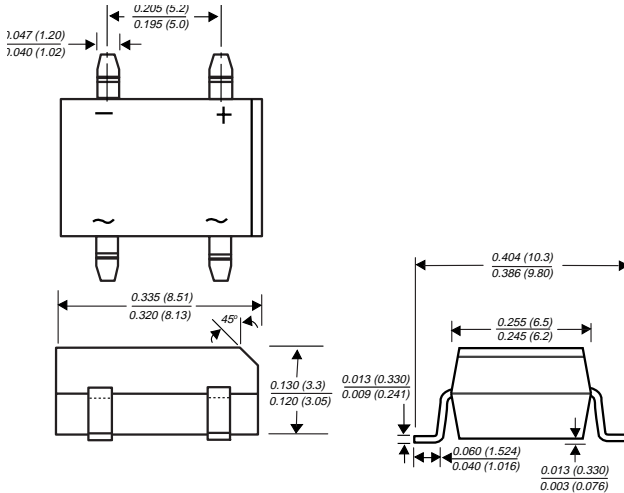


# EDF1AS THRU EDF1DS

## MINIATURE GLASS PASSIVATED FAST EFFICIENT SURFACE MOUNT BRIDGE RECTIFIER

Reverse Voltage - 50 to 200 Volts Forward Current - 1.0 Ampere

### Case Style DFS



Dimensions in inches and (millimeters)

### FEATURES

- ◆ Plastic package has Underwriters Laboratory Flammability Classification 94V-0
- ◆ This series is UL listed under Recognized Component Index, file number E54214
- ◆ Glass passivated chip junctions
- ◆ High surge overload rating- 50 amperes peak
- ◆ Ideal for printed circuit boards
- ◆ Superfast recovery times for high efficiency
- ◆ High temperature soldering guaranteed: 260°C/10 seconds at 5 lbs (2.3kg) tension



### MECHANICAL DATA

**Case:** Molded plastic body over passivated junctions  
**Terminals:** Plated leads solderable per MIL-STD-750, Method 2026  
**Polarity:** Polarity symbols marked on body  
**Mounting Position:** Any  
**Weight:** 0.04 ounce, 1.0 gram

### MAXIMUM RATINGS AND ELECTRICAL CHARACTERISTICS

Ratings at 25°C ambient temperature unless otherwise specified.

	SYMBOLS	EDF1AS	EDF1BS	EDF1CS	EDF1DS	UNITS
Maximum repetitive peak reverse voltage	$V_{RRM}$	50	100	150	200	Volts
Maximum RMS voltage	$V_{RMS}$	35	70	106	140	Volts
Maximum DC blocking voltage	$V_{DC}$	50	100	150	200	Volts
Maximum average forward output rectified current at $T_A=40^\circ\text{C}$ (NOTE 2)	$I_{(AV)}$	1.0				Amp
Peak forward surge current single half sine-wave superimposed on rated load (JEDEC Method) $T_J=150^\circ\text{C}$	$I_{FSM}$	50.0				Amps
Rating for fusing ( $t < 8.3\text{ms}$ )	$I^2t$	10.0				$\text{A}^2\text{sec}$
Maximum instantaneous forward voltage drop per leg at 1.0A	$V_F$	1.05				Volts
Maximum DC reverse current at rated DC blocking voltage	$I_R$	5.0 1.0				$\mu\text{A}$ mA
Maximum reverse recovery time (NOTE 1)	$t_{rr}$	50.0				ns
Typical thermal resistance per leg (NOTE 2)	$R_{\theta JA}$ $R_{\theta JL}$	38.0 12.0				$^\circ\text{C/W}$
Operating junction and storage temperature range	$T_J, T_{STG}$	-55 to +150				$^\circ\text{C}$

#### NOTES:

- (1) Reverse recovery test conditions:  $I_F=0.5\text{A}$ ,  $I_R=1.0\text{A}$ ,  $I_{rr}=0.25\text{A}$
- (2) Units mounted on P.C.B. with 0.51 x 0.51" (13 x 13mm) copper pads

# RATINGS AND CHARACTERISTICS CURVES EDF1AS THRU EDF1DS

