
eKK8011AB

**USB & PS/2
Keyboard Encoder**

**Product
Specification**

DOC. VERSION 1.4

ELAN MICROELECTRONICS CORP.


July 2006



Trademark Acknowledgments:

IBM is a registered trademark and PS/2 is a trademark of IBM.

Windows is a trademark of Microsoft Corporation.

ELAN and ELAN logo  are trademarks of ELAN Microelectronics Corporation.

Copyright © 2005~2006 by **ELAN Microelectronics Corporation**

All Rights Reserved

Printed in Taiwan

The contents of this specification are subject to change without further notice. ELAN Microelectronics assumes no responsibility concerning the accuracy, adequacy, or completeness of this specification. ELAN Microelectronics makes no commitment to update, or to keep current the information and material contained in this specification. Such information and material may change to conform to each confirmed order.

In no event shall ELAN Microelectronics be made responsible for any claims attributed to errors, omissions, or other inaccuracies in the information or material contained in this specification. ELAN Microelectronics shall not be liable for direct, indirect, special incidental, or consequential damages arising from the use of such information or material.

The software (if any) described in this specification is furnished under a license or nondisclosure agreement, and may be used or copied only in accordance with the terms of such agreement.

ELAN Microelectronics products are not intended for use in life support appliances, devices, or systems. Use of ELAN Microelectronics product in such applications is not supported and is prohibited.

NO PART OF THIS SPECIFICATION MAY BE REPRODUCED OR TRANSMITTED IN ANY FORM OR BY ANY MEANS WITHOUT THE EXPRESSED WRITTEN PERMISSION OF ELAN MICROELECTRONICS.



ELAN MICROELECTRONICS CORPORATION

Headquarters:

No. 12, Innovation Road 1
Hsinchu Science Park
Hsinchu, Taiwan 30077
Tel: +886 3 563-9977
Fax: +886 3 563-9966
<http://www.emc.com.tw>

Hong Kong:

Elan (HK) Microelectronics Corporation, Ltd.
Flat A, 19F., World Tech Centre
95 How Ming Street, Kwun Tong
Kowloon, HONG KONG
Tel: +852 2723-3376
Fax: +852 2723-7780
elanhk@emc.com.hk

USA:

Elan Information Technology Group (USA)
1821 Saratoga Ave., Suite 250
Saratoga, CA 95070
USA
Tel: +1 408 366-8225
Fax: +1 408 366-8220

Europe:

Elan Microelectronics Corp. (Europe)
Siewerdtstrasse 105
8050 Zurich, SWITZERLAND
Tel: +41 43 299-4060
Fax: +41 43 299-4079
<http://www.elan-europe.com>

Shenzhen:

Elan Microelectronics Shenzhen, Ltd.
SSMEC Bldg., 3F, Gaoxin S. Ave.
Shenzhen Hi-Tech Industrial Park
Shenzhen, Guangdong, CHINA
Tel: +86 755 2601-0565
Fax: +86 755 2601-0500

Shanghai:

Elan Microelectronics Shanghai, Ltd.
23/Bldg. #115 Lane 572, Bibo Road
Zhangjiang Hi-Tech Park
Shanghai, CHINA
Tel: +86 21 5080-3866
Fax: +86 21 5080-4600

Contents

1	General Description	1
2	Features	1
3	Applications	1
4	Pin Assignment	2
5	Pin Description	3
6	Function Description	4
6.1	PS/2 Keyboard Function Description	4
6.1.1	Keyboard Buffer	4
6.1.2	Power-on Reset and Self Test.....	4
6.1.3	Keyboard Data Output.....	4
6.1.4	Keyboard Data Input	5
6.1.5	Command from the System	5
6.1.6	System Commands.....	8
6.1.7	Keyboard Scan Code Table.....	9
6.2	USB Keyboard Function Description.....	19
6.2.1	USB Keyboard Description	19
6.2.2	LED Report for USB Keyboard	22
6.2.3	USB Keyboard Scan Code.....	22
6.3	Internal-Multi Function	25
7	Absolute Maximum Ratings	25
8	DC Electrical Characteristics	25
9	AC Electrical Characteristics	26
10	PS/2 Timing Diagram	27
11	Application Circuit	28
12	Application Matrix	29
13	Pad Diagram	30



Specification Revision History

Doc. Version	Revision Description	Date
1.4	Updated the document formatting and text contents.	2006/07/10

1 General Description

The eKK8011A/eKK8011B series are high performance CMOS microcontroller devices specially designed for keyboard encoder applications. These devices function both in USB and PS/2 interface environment. For PS/2 interface, it supports IBM PC AT and all compatible machines and provides a 16-character first-in-first-out buffer in which data is stored. For USB interface, it supports the USB standard request version 1.1 as well as HID class request version 1.1.

The eKK8011A/B controls all scan codes, three LED status, scan timing and communications between the keyboard and PC. Enhanced features combine to ensure easy implementation of a high performance, low cost keyboard with minimal external components.

The eKK8011A MCU is compatible with EM78M611 and the eKK8011B MCU is compatible with EM78611.

2 Features

- USB Specification Compliance
 - Universal Serial Bus Specification Version 1.1
 - USB Device Class Definition for Human Interface Device (HID), Firmware Specification Version 1.1
- Low cost : no external components required
- Operating frequency: 6MHz
- Phantom key detection
- Support scan code Set 1, 2 and 3 for PS/2
- Support HID Usage ID for USB
- Support PC PS/2 and USB keyboard
- Support USB Sleep Mode
- Low power CMOS device technology
- Internal pull-up resistor
- Tri-state outputs for easy board application
- Support Windows¹™ 95, 98, 2000, ME keys
- Support multi-media or other special application keyboard encoder

3 Applications

- USB Keyboard only
- Both USB and PS/2 compatible Keyboards

¹ Windows is a registered trademark of Microsoft Corporation.

4 Pin Assignment

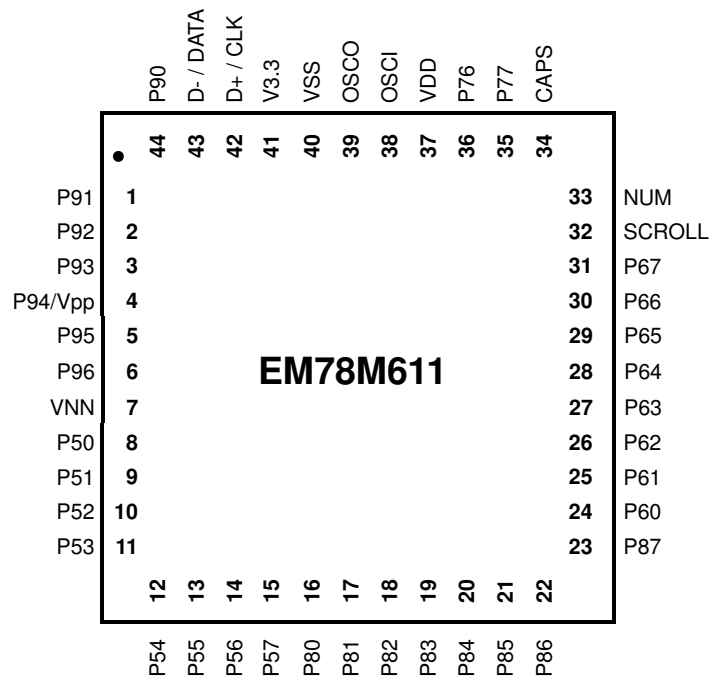


Fig 4-1 44-pin QFP eKK8011A Pin Assignment

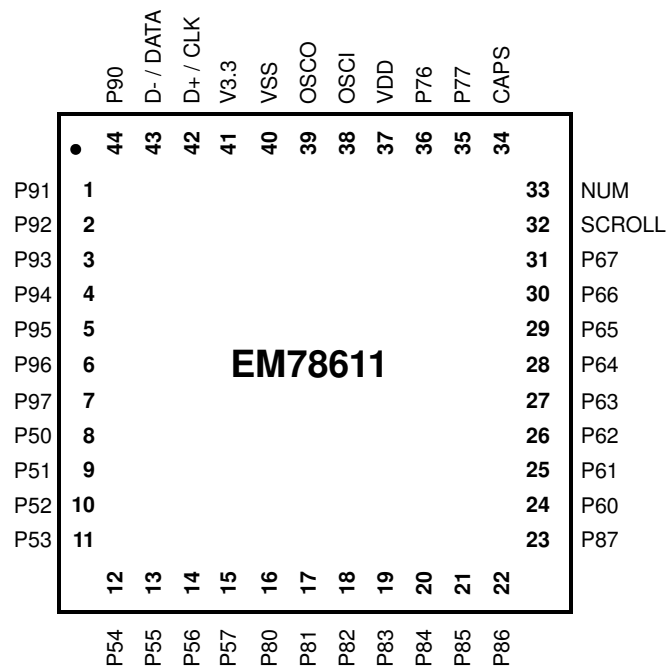


Fig 4-1 44-pin QFP eKK8011B Pin Assignment

5 Pin Description

Symbol	I/O	Function
P50	O	Column 3 Low output scan line, 3-state
P51	O	Column 4 Low output scan line, 3-state
P52	O	Column 5 Low output scan line, 3-state
P53	O	Column 6 Low output scan line, 3-state
P54	O	Column 7 Low output scan line, 3-state
P55	O	Column 14 Low output scan line, 3-state
P56	O	Column 13 Low output scan line, 3-state
P57	O	Column 12 Low output scan line, 3-state
P80	O	Column 11 Low output scan line, 3-state
P81	O	Column 15 Low output scan line, 3-state
P82	O	Column 10 Low output scan line, 3-state
P83	O	Column 8 Low output scan line, 3-state
P84	O	Column 9 Low output scan line, 3-state
P85	O	Column 0 Low output scan line, 3-state
P86	O	Column 16 Low output scan line, 3-state
P87	O	Column 17 Low output scan line, 3-state
P90	O	Column 1 Low output scan line, 3-state
P91	O	Column 2 Low output scan line, 3-state
P92	I	Internal Multi-Function 1 selection
P93	I	Internal Multi-Function 2 selection
P95	O	Mode LED
VSS	PWR	Ground
SCROLL	O	Scroll Lock Indicator
NUM	O	NUM Lock Indicator
CAPS	O	Caps Lock Indicator
P60	I	Row 0 Input scan line, internal pull high (25K Ω)
P61	I	Row 1 Input scan line, internal pull high (25K Ω)
P62	I	Row 2 Input scan line, internal pull high (25K Ω)
P63	I	Row 3 Input scan line, internal pull high (25K Ω)
P64	I	Row 4 Input scan line, internal pull high (25K Ω)
P65	I	Row 5 Input scan line, internal pull high (25K Ω)
P66	I	Row 6 Input scan line, internal pull high (25K Ω)
P67	I	Row 7 Input scan line, internal pull high (25K Ω)
CLK/D+	I/O	Clock line for IBM communication, internal pull-high (2.2K Ω) or D+ line for USB communication, internal weak pull-high (2M Ω)
DATA/D-	I/O	Data line for IBM communication, internal pull-high (2.2K Ω) or D- line for USB communication, internal pull-high (1.5K Ω)
VDD	PWR	+5V Power Supply
OSCO	O	Connect to a 6MHz Crystal for 6MHz oscillation
OSCI	I	Connect to a 6MHz Crystal for 6MHz oscillation
V3.3	PWR	3.3V output

6 Function Description

This section is divided into subsections for user convenience and clearer distinction. Detailed PS/2 keyboard function descriptions are provided in Section 6.1. The USB keyboard function descriptions are discussed in details in Section 6.2.

6.1 PS/2 Keyboard Function Description

The keyboard buffer, power-on reset and self test, input, output, commands, and scan codes are described in the following sections.

6.1.1 Keyboard Buffer

The keyboard will buffer 16 bytes in a first-in-first-out order when the system receives scan codes from the keyboard. The response codes and repeated codes will not be buffered. If the keystrokes generate a multiple-byte sequence, the entire sequence must fit into the buffer or the keystroke is discarded and a buffer-overflow condition occurs.

6.1.2 Power-on Reset and Self Test

The duration of the keyboard Power-on-Reset (POR) should be within 150 milliseconds and 2 seconds after the power is applied to the keyboard.

After executing POR, the keyboard executes a self test. The LEDs are turned on at the beginning and off at the end of the self test. The self test takes a minimum of 300 milliseconds and a maximum of 500 milliseconds. If the self test is successful, a completion code AA hex is sent to the system and the keyboard starts scanning. If the self test fails, an error code is sent, the keyboard is disabled and waits for a command from the system. The completion codes are sent between 450 ms to 2.5 s after POR, and between 300 ms to 500 ms after a reset command is acknowledged.

6.1.3 Keyboard Data Output

When the keyboard is ready to send data to the system, it first checks the clock and data lines. If either one is in the low state, data is stored in the keyboard buffer. If both are in the high state, keyboard starts clocking data out. Data is valid before the trailing edge and after the leading edge of the clock pulse. During the transmission, the keyboard checks the clock line at least every 60 microseconds. If the system lowers the clock lines before the leading edge of the 10th clock, the keyboard should stop sending, then buffers the data and return the clock and data lines to a high state.

6.1.4 Keyboard Data Input

When the system is ready to send data to the keyboard, it first checks the clock line to see if keyboard is sending data. If keyboard is not sending data or it is sending data but has not reached the 10th clock, the system can inhibit the interface by forcing the clock line low for more than 60 microseconds and prepares to send data. The keyboard checks the clock line status at least every 5 milliseconds. If a system Request to Send (RTS) is detected, the keyboard clocks 11 bits in. After the 10th bit, the keyboard checks for a high state in the data line then pulls it low and clocks one more bit to signal the system that data has been received. If data is low after the 10th bit, it indicates a frame error. The keyboard should continue to count until the data line goes high, then pulls it low and issues a RESEND to the system.

6.1.5 Command from the System

The system can send commands to the keyboard at any time. The keyboard needs to respond within 20 milliseconds, unless the system prevents keyboard output, when doing self test or executing a reset. The following are the keyboard input commands and the actions that the keyboard needs to take.

Set /Reset Status indicators (Hex ED)

- Responds with ACK
- Receives option byte
- Responds with ACK
- Updates status indicators
- Returns to previous scanning state

Echo (Hex EEH)

- Responds with EE hex
- Returns to previous scanning state

Invalid commands (Hex EF and F1)

- Returns a RESEND command
- Returns to previous scanning state

Select Alternate Scan Codes (Hex F0)

- Responds ACK
- Clears output buffer
- Sets the default Typematic rate/delay
- Clears last Typematic key
- Receives option byte
- Responds ACK
- Option byte : **01** : selects scan code Set 1
 02 : selects scan code Set 2
 03 : selects scan code Set 3
- Returns to previous scanning rate



Read ID (F2)

- Responds with ACK
- Discontinues scanning
- Sends two ID bytes. The second byte will be sent within 500 μS after the first byte.
- Resumes scanning

Set Typematic Rate/Delay (Hex F3)

- Responds with ACK
- Receives rate/delay value byte
- Responds with ACK
- Set rate/delay (see Note 1)
- Returns to previous scanning state.

NOTE

1. Repeat period = $(8+A) \times (2^B) \times 0.00417$ seconds
A : Binary value of Bits 2, 1, and 0.
B : Binary value of Bits 4 and 3.

2. Delay = $(C + 1) \times 250$ milliseconds
C : Binary value of Bits 6 and 5. Bit 7 is always 0.

3. Default rate = 10.9 chars/sec + 20%
 Default delay = 500 mS ±20%

Bit 4~ Bit 0	Typematic Rate ±20%	Bit 4~ Bit 0	Typematic Rate ±20%
00000	30.0	10000	7.5
00001	26.7	10001	6.7
00010	24.0	10010	6.0
00011	21.8	10011	5.5
00100	20.0	10100	5.0
00101	18.5	10101	4.6
00110	17.1	10110	4.3
00111	16.0	10111	4.0
01000	15.0	11000	3.7
01001	13.3	11001	3.3
01010	12.0	11010	3.0
01011	10.9	11011	2.7
01100	10.0	11100	2.5
01101	9.2	11101	2.3
01110	8.6	11110	2.1
01111	8.0	11111	2.0



Enable (Hex F4)

- Responds with ACK
- Clears output buffer
- Clears last typematic key
- Start scanning

Default Disable (Hex F5)

- Responds with ACK
- Resets all conditions to power-on state
- Clears output buffer
- Sets the default key type (Scan Code Set 3 only)
- Set the default typematic rate/delay
- Clears the last typematic key
- Stops scanning

Set Default (Hex F6)

- Responds with ACK
- Resets all conditions to power-on state
- Clears output buffer
- Sets the default key type (Scan Code Set 3 only)
- Set the default typematic rate/delay
- Clears last typematic key
- Continues scanning

Set All Keys (Hex F7, F8, F9, FA)

- Responds ACK
- Clears output buffer
- Sets all key type (affect only Scan Code Set 3 operation)

F7 : Typematic

F8 : Make/Break

F9 : Make

FA : Typematic/Make/Break

- Returns to previous scanning rate

Set Key Type (Hex FB, FC, FD)

- Responds with ACK
- Clears output buffer
- Receives key ID byte
- Responds ACK
- Sets key ID type (affect only Scan Code Set 3 operation)



FB : Typematic

FC : Make/Break

FD : Make

- Returns to previous scanning rate

Resend (Hex FE)

- Sends the previous output again. If the previous byte is RESEND, the last byte before RESEND shall be sent.

Reset (Hex FF)

- Responds with ACK

- Checks clock and data lines. Reset in the high state for at least 500 μ s or receives another command.

-Default to scan code set 2.

6.1.6 System Commands

The following are the keyboard output commands.

Acknowledge (Hex FA)

The keyboard sends an acknowledge in response to any valid command from the system except for RESEND and ECHO.

BAT Completion Code (Hex AA)

This command is issued after a successful completion of the keyboard self test.

Echo (Hex EE)

The keyboard sends this code in response to an ECHO command.

Keyboards ID (Hex 83AB)

The 2-byte ID is issued to respond to READ ID command. The low byte is sent first, followed by the high byte.

Keyboard Buffer Overrun (Hex 00 or FF)

If the keyboard buffer overflows, the overrun code will replace the last byte in the buffer. If the keyboard is using scan code Set 1, the code is Hex FF. For Sets 2 and 3, the code is Hex 00.

Resend (Hex FE)

When the keyboard receives an invalid input or any input with incorrect parity, the RESEND command is sent.

6.1.7 Keyboard Scan Code Table

The keyboard contains three scan code sets. The system defaults to scan code Set 2, but can be switched to Set 1 or Set 3. The following tables show the key numbers and three scan code sets in hexadecimal values. All the keys are typematics except for the pause key. When a key is pressed down, the make scan code is sent to the system. When the key is released, its break code is sent. If two or more keys are held down, only the last key pressed repeats at the typematic rate. Typematic operation stops when the last pressed key is released, even if other keys are being released or some other keys are still held down.

The following table shows three scan code sets used in the keyboard.

Scan Code Set 1

Key	Make Code	Break Code	Key	Make Code	Break Code
`(~)	29	A9	X	2D	AD
1	02	82	C	2E	AE
2	03	83	V	2F	AF
3	04	84	B	30	B0
4	05	85	N	31	B1
5	06	86	M	32	B2
6	07	87	,(<)	33	B3
7	08	88	.(>)	34	B4
8	09	89	/(&?)	35	B5
9	0A	8A	SHIFT_R	36	B6
0	0B	8B	CTRL_L	1D	9D
-(-)	0C	8C	ALT_L	38	B8
=(+)	0D	8D	SPACE	39	B9
Backspace	0E	8E	ALT_R	E0 38	E0 B8
TAB	0F	8F	CTRL_R	E0 1D	E0 9D
Q	10	90	NUM	45	C5
W	11	91	(7)	47	C7
E	12	92	(4)	4B	CB
R	13	93	(1)	4F	CF
T	14	94	(8)	48	C8
Y	15	95	(5)	4C	CC
U	16	96	(2)	50	D0
I	17	97	()	52	D2
O	18	98	(*)	37	B7
P	19	99	(9)	49	C9



Key	Make Code	Break Code	Key	Make Code	Break Code
[({	1A	9A	(6)	4D	CD
]})	1B	9B	(3)	51	D1
\()@1	2B	AB	(Del)	53	D3
CAPS	3A	BA	(-)	4A	CA
A	1E	9E	(+)	4E	CE
S	1F	9F	(Enter)	E0 1C	E0 9C
D	20	A0	ESC	01	81
F	21	A1	F1	3B	BB
G	22	A2	F2	3C	BC
H	23	A3	F3	3D	BD
J	24	A4	F4	3E	BE
K	25	A5	F5	3F	BF
L	26	A6	F6	40	C0
;(,)	27	A7	F7	41	C1
'(")	28	A8	F8	42	C2
K42 @2	2B	AB	F9	43	C3
Enter	1C	9C	F10	44	C4
Shift_L	2A	AA	F11	57	D7
K45 @2	56	D6	F12	58	D8
Z	2C	AC	SCROLL	46	C6

Key	Base Case, or Shift + Num Lock Make/Break	Shift Case @3 Make/Break	Num Lock Make/Break
Ins	E0 52 / E0 D2	E0 AA E0 52 / E0 D2 E0 2A	E0 2A E0 52 / E0 D2 E0 AA
Del	E0 53 / E0 D3	E0 AA E0 53 / E0 D3 E0 2A	E0 2A E0 53 / E0 D3 E0 AA
Left	E0 4B / E0 CB	E0 AA E0 4B / E0 CB E0 2A	E0 2A E0 4B / E0 CB E0 AA
Home	E0 47 / E0 C7	E0 AA E0 47 / E0 C7 E0 2A	E0 2A E0 47 / E0 C7 E0 AA
End	E0 4F / E0 CF	E0 AA E0 4F / E0 CF E0 2A	E0 2A E0 4F / E0 CF E0 AA
Up	E0 48 / E0 C8	E0 AA E0 48 / E0 C8 E0 2A	E0 2A E0 48 / E0 C8 E0 AA
Down	E0 50 / E0 D0	E0 AA E0 50 / E0 D0 E0 2A	E0 2A E0 50 / E0 D0 E0 AA
Page Up	E0 49 / E0 C9	E0 AA E0 49 / E0 C9 E0 2A	E0 2A E0 49 / E0 C9 E0 AA
Page Down	E0 51 / E0 D1	E0 AA E0 51 / E0 D1 E0 2A	E0 2A E0 51 / E0 D1 E0 AA
Right	E0 4D / E0 CD	E0 AA E0 4D / E0 CD E0 2A	E0 2A E0 4D / E0 CD E0 AA

Key	Scan Code Make/Break	Shift Case Make/Break @3
(/)	E0 35 / E0 B5	E0 AA E0 35 / E0 B5 E0 2A



Key	Scan Code Make/Break	Ctrl Case, Shift Case Make/ Break	Alt Case Make/Break
PRINT	E0 2A E0 37 / E0 B7 E0 AA	E0 37 / E0 B7	54 / D4

Key	Make Code	Ctrl Key Pressed
PAUSE @4	E1 1D 45 E1 9D C5	E0 46 E0 C6

Key	Base Case Make Code	Num Lock Off Case Make Code
€ @5	E1 1D 45 E1 9D C5	E0 46 E0 C6

NOTE

@1 : 101-key keyboard only.
 @2 : 102-key keyboard only.
 @3 : If the left Shift key is held down, the AA/2A shift make and break is sent with the other scan codes. If the right Shift key is held down, B6/36 is sent. If both Shift keys are down, both sets of codes are sent with the other scan code.
 @4 : This key is not typematic. All associated scan codes occur on the make of the key.
 @5 : This Key is Make only. When the Num Lock is off, the encoder will send the code which is the same as de-pressing Alt+0+1+2+8. When the Num Lock is on, the encoder will send the code which is the same as de-pressing Num+Alt+0+1+2+8+Num, and user will see the Num Lock LED flash once.

Scan Code Set 2

Key	Make Code	Break Code	Key	Make Code	Break Code
~(`)	OE	F0 OE	X	22	F0 22
1	16	F0 16	C	21	F0 21
2	1E	F0 1E	V	2A	F0 2A
3	26	F0 26	B	32	F0 32
4	25	F0 25	N	31	F0 31
5	2E	F0 2E	M	3A	F0 3A
6	36	F0 36	,(<)	41	F0 41
7	3D	F0 3D	.(>)	49	F0 49
8	3E	F0 3E	/(?)	4A	F0 4A
9	46	F0 46	SHIFT_R	59	F0 59
0	45	F0 45	CTRL_L	14	F0 14
-(-)	4E	F0 4E	ALT_L	11	F0 11
=(+)	55	F0 55	SPACE	29	F0 29
Backspace	66	F0 66	ALT_R	E0 11	E0 F0 11
Tab	0D	F0 0D	CTRL_R	E0 14	E0 F0 14



Key	Make Code	Break Code	Key	Make Code	Break Code
Q	15	F0 15	NUM	77	F0 77
W	1D	F0 1D	(7)	6C	F0 6C
E	24	F0 24	(4)	6B	F0 6B
R	2D	F0 2D	(1)	69	F0 69
T	2C	F0 2C	(8)	75	F0 75
Y	35	F0 35	(5)	73	F0 73
U	3C	F0 3C	(2)	72	F0 72
I	43	F0 43	~()	70	F0 70
O	44	F0 44	(*)	7C	F0 7C
P	4D	F0 4D	(9)	7D	F0 7D
[({)	54	F0 54	(6)	74	F0 74
]})	5B	F0 5B	(3)	7A	F0 7A
\()@6	5D	F0 5D	(Del)	71	F0 71
CAPS	58	F0 58	(-)	7B	F0 7B
A	1C	F0 1C	(+)	79	F0 79
S	1B	F0 1B	(Enter)	E0 5A	E0 F0 5A
D	23	F0 23	ESC	76	F0 76
F	2B	F0 2B	F1	05	F0 05
G	34	F0 34	F2	06	F0 06
H	33	F0 33	F3	04	F0 04
J	3B	F0 3B	F4	0C	F0 0C
K	42	F0 42	F5	03	F0 03
L	4B	F0 4B	F6	0B	F0 0B
;(:)	4C	F0 4C	F7	83	F0 83
'(")	52	F0 52	F8	0A	F0 0A
K42 @7	5D	F0 5D	F9	01	F0 01
Enter	5A	F0 5A	F10	09	F0 09
Shift_L	12	F0 12	F11	78	F0 78
K45 @7	61	F0 61	F12	07	F0 07
Z	1A	F0 1A	SCROLL	7E	F0 7E



Key	Base Case, or Shift + Num Lock Make/Break	Shift Case @8 Make/Break	Num Lock Make/Break
Ins	E0 70/E0 F0 70	E0 F0 12 E0 70/E0 F0 70 E0 12	E0 12 E0 70/E0 F0 70 E0 F0 12
Del	E0 71/E0 F0 71	E0 F0 12 E0 71/E0 F0 71 E0 12	E0 12 E0 71/E0 F0 71 E0 F0 12
Left	E0 6B/E0 F0 6B	E0 F0 12 E0 6B/E0 F0 6B E0 12	E0 12 E0 6B/E0 F0 6B E0 F0 12
Home	E0 6C/E0 F0 6C	E0 F0 12 E0 6C/E0 F0 6C E0 12	E0 12 E0 6C/E0 F0 6C E0 F0 12
End	E0 69/E0 F0 69	E0 F0 12 E0 69/E0 F0 69 E0 12	E0 12 E0 69/E0 F0 69 E0 F0 12
Up	E0 75/E0 F0 75	E0 F0 12 E0 75/E0 F0 75 E0 12	E0 12 E0 75/E0 F0 75 E0 F0 12
Down	E0 72/E0 F0 72	E0 F0 12 E0 72/E0 F0 72 E0 12	E0 12 E0 72/E0 F0 72 E0 F0 12
Page Up	E0 7D/E0 F0 7D	E0 F0 12 E0 7D/E0 F0 7D E0 12	E0 12 E0 7D/E0 F0 7D E0 F0 12
Page Down	E0 7A/E0 F0 7A	E0 F0 12 E0 7A/E0 F0 7A E0 12	E0 12 E0 7A/E0 F0 7A E0 F0 12
Right	E0 74/E0 F0 74	E0 F0 12 E0 74/E0 F0 74 E0 12	E0 12 E0 74/E0 F0 74 E0 F0 12

Key	Scan Code Make/Break	Shift Case Make/Break @3
(/)	E0 4A / E0 F0 4A	E0 F0 12 E0 4A/E0 F0 4A E0 12

Key	Scan Code Make/Break	Ctrl Case, Shift Case Make/ Break	Alt Case Make/Break
Print	E0 12 E0 7C / E0 F0 7C E0 F0 12	E0 7C /E0 F0 7C	84/ F0 84

Key	Make Code	Ctrl Key Pressed
Pause @9	E1 14 77 E1 F0 14 F0 77	E0 7E E0 F0 7E

Key	Base Case Make Code	Num Lock Off Case Make Code
€ @10	11 70 F0 70 69 F0 69 72 F0 72 75 F0 75 F0 11	77 F0 77 11 70 F0 70 69 F0 69 72 F0 72 75 F0 75 F0 11 77 F0 77

NOTE

@6 : 101-key keyboard only.

@7 : 102-key keyboard only.

@8 : If the left Shift key is held down, the F0 12/12 shift make and break is sent with the other scan codes. If the right Shift key is held down, F0 59/59 is sent. If both Shift keys are down, both sets of codes are sent with the other scan code.

@9 : This key is not typematic. All associated scan codes occur on the make of the key.

@10 : This Key is Make only. When the Num Lock is off, the encoder will send the code which is the same as de-pressing Alt+0+1+2+8. When the Num Lock is on, the encoder will send the code which is the same as de-pressing Num+Alt+0+1+2+8+Num, and user will see the Num Lock LED flash once.

Scan Code Set 3

Key	Make Code	Break Code	Default Key State
`(~)	0E	F0 0E	Typematic
1	16	F0 16	Typematic
2	1E	F0 1E	Typematic
3	26	F0 26	Typematic
4	25	F0 25	Typematic
5	2E	F0 2E	Typematic
6	36	F0 36	Typematic
7	3D	F0 3D	Typematic
8	3E	F0 3E	Typematic
9	46	F0 46	Typematic
0	45	F0 45	Typematic
-(_)	4E	F0 4E	Typematic
=(+)	55	F0 55	Typematic
Backspace	66	F0 66	Typematic
TAB	0D	F0 0D	Typematic
Q	15	F0 15	Typematic
W	1D	F0 1D	Typematic
E	24	F0 24	Typematic
R	2D	F0 2D	Typematic
T	2C	F0 2C	Typematic
Y	35	F0 35	Typematic
U	3C	F0 3C	Typematic
I	43	F0 43	Typematic
O	44	F0 44	Typematic
P	4D	F0 4D	Typematic
[({	54	F0 54	Typematic
]())	5B	F0 5B	Typematic
\()@11	5C	F0 5C	Typematic
CAPS	14	F0 14	Make/Break
A	1C	F0 1C	Typematic
S	1B	F0 1B	Typematic
D	23	F0 23	Typematic
F	2B	F0 2B	Typematic
G	34	F0 34	Typematic
H	33	F0 33	Typematic
J	3B	F0 3B	Typematic



Key	Make Code	Break Code	Default Key State
K	42	F0 42	Typematic
L	4B	F0 4B	Typematic
;(:)	4C	F0 4C	Typematic
'(")	52	F0 52	Typematic
K42 @12	53	F0 53	Typematic
Enter	5A	F0 5A	Typematic
Shift_L	12	F0 12	Make/Break
K45 @12	13	F0 13	Typematic
Z	1A	F0 1A	Typematic
X	22	F0 22	Typematic
C	21	F0 21	Typematic
V	2A	F0 2A	Typematic
B	32	F0 32	Typematic
N	31	F0 31	Typematic
M	3A	F0 3A	Typematic
,(<)	41	F0 41	Typematic
.(>)	49	F0 49	Typematic
/(?)	4A	F0 4A	Typematic
Shift_R	59	F0 59	Make/Break
Ctrl_L	11	F0 11	Make/Break
Alt_L	19	F0 19	Make/Break
Space	29	F0 29	Typematic
Alt_R	39	F0 39	Make only
Ctrl_R	58	F0 58	Make only
Ins	67	F0 67	Make only
Del	64	F0 64	Typematic
Left	61	F0 61	Typematic
Home	6E	F0 6E	Make only
End	65	F0 65	Make only
Up	63	F0 63	Typematic
Down	60	F0 60	Typematic
Page Up	6F	F0 6F	Make only
Page Down	6D	F0 6D	Make only
Right	6A	F0 6A	Typematic
Num	76	F0 76	Make only
(7)	6C	F0 6C	Make only
(4)	6B	F0 6B	Make only

Key	Make Code	Break Code	Default Key State
(1)	69	F0 69	Make only
(/)	77	F0 77	Make only
(8)	75	F0 75	Make only
(5)	73	F0 73	Make only
(2)	72	F0 72	Make only
~)	70	F0 70	Make only
(*)	7E	F0 7E	Make only
(9)	7D	F0 7D	Make only
(6)	74	F0 74	Make only
(3)	7A	F0 7A	Make only
(Del)	71	F0 71	Make only
(-)	84	F0 84	Make only
(+)	7C	F0 7C	Typematic
(Enter)	79	F0 79	Make only
ESC	08	F0 08	Make only
F1	07	F0 07	Make only
F2	0F	F0 0F	Make only
F3	17	F0 17	Make only
F4	1F	F0 1F	Make only
F5	27	F0 27	Make only
F6	2F	F0 2F	Make only
F7	37	F0 37	Make only
F8	3F	F0 3F	Make only
F9	47	F0 47	Make only
F10	4F	F0 4F	Make only
F11	56	F0 56	Make only
F12	5E	F0 5E	Make only
Print	57	F0 57	Make only
Scroll	5F	F0 5F	Make only
Pause	62	F0 62	Make only
€	X	X	X

NOTE

@11 : 101-key keyboard only

@12 : 102-key keyboard only



New Key Codes for Scan Set 1:

New Key	Make	Break
LWIN	E0 5B	E0 DB
RWIN	E0 5C	E0 DC
APP	E0 5D	E0 DD
N-CHG (131)	7B	FB
CHG (132)	79	F9
ROMA (133)	70	F0
K14	7D	FD
K56	73	F3
K107	7E	FE
KL	F1	X
KR	F0	X
Power	E0 5E	E0 DE
Sleep	E0 5F	E0 DF
Wake up	E0 63	E0 E3

New Key Codes for Scan Set 2:

New key	Make	Break
LWIN	E0 1F	E0 F0 1F
RWIN	E0 27	E0 F0 27
APP	E0 2F	E0 F0 2F
N-CHG (131)	67	F0 67
CHG (132)	64	F0 64
ROMA (133)	13	F0 13
K14	6A	F0 6A
K56	51	F0 51
K107	6D	F0 6D
KL	F1	X
KR	F2	X
Power	E0 37	E0 F0 37
Sleep	E0 3F	E0 F0 3F
Wake up	E0 5E	E0 F0 5E



New Key Codes for Scan Set 3:

New key	Make	Break	
LWIN	8B	F0 8B	Make/break
RWIN	8C	F0 8C	Make/break
APP	8D	F0 8D	Make/break
N-CHG (131)	85	F0 85	Make
CHG (132)	86	F0 86	Make
ROMA (133)	87	F0 87	Make
K14	5D	F0 5D	Typematic
K56	51	F0 51	Typematic
K107	7B	F0 7B	Typematic
KL	F1	X	
KR	F2	X	
Power	X	X	
Sleep	X	X	
Wake up	X	X	

Windows 2000 Multi-Media Key Codes

	SET1		SET2	
	MAK	EBREAK	MAKE	BREAK
K130 : WWW Back	E06A	E0EA	E038	E0F038
K131 : WWWForward	E069	E0E9	E030	E0F030
K132 : WWWstop	E068	E0E8	E028	E0F028
K133 : WWWRefresh	E067	E0E7	E020	E0F020
K134 : WWWSearch	E065	E0E5	E010	E0F010
K135 : WWWFavorites	E066	E0E6	E018	E0F018
K136 : WWWWeb/Home	E032	E0B2	E03A	E0F03A
K137 : Mail	E06C	E0EC	E048	E0F048
K138 : Mute	E020	E0A0	E023	E0F023
K139 : Volume-	E02E	E0AE	E021	E0F021
K140 : Volume+	E030	E0B0	E032	E0F032
K141 : Play/Pause	E022	E0A2	E034	E0F034
K142 : Stop	E024	E0A4	E03B	E0F03B
K143 : PreTrack	E010	E090	E015	E0F015
K144 : Nexttrack	E019	E099	E04D	E0F04D
K145 : Media Select	E06D	E0ED	E050	E0F050
K146 : MyComputer	E06B	E0EB	E040	E0F040
K147 : Calculator	E021	E0A1	E02B	E0F02B

6.2 USB Keyboard Function Description

We describe the USB keyboard function descriptions and data transfer in the following section.

6.2.1 USB Keyboard Description

- Device Descriptor:
 - Descriptor size: 0X12
 - Descriptor type: 0X01
 - USB Specification release number: 0X0110
 - Device class: 0X00
 - Device subclass: 0X00
 - Device Protocol: 0X00
 - Max package for Endpoint 0 0X08
 - Vendor ID: 0X04F3
 - Product ID: 0X0103
 - Device Release number: 0X0104
 - Index of string descriptor describing manufacturer: 0X00
 - Index of string descriptor describing product: 0X00
 - Index of string descriptor describing the device's serial number: 0X00
 - Number of possible configurations: 0X01
- Configuration Descriptor:
 - Descriptor size: 0X09
 - Descriptor type: 0X02
 - Total length of data return for this configuration: 0X003B
 - Number of interfaces: 0X02
 - Value used to address this configuration: 0X01
 - Index of string descriptor describing this configuration: 0X00
 - Configuration characteristic: 0XA0
 - Maximum power consumption: 0X32
- Interface Descriptor (Interface 0)
 - Descriptor size: 0X09
 - Descriptor type: 0X04
 - Number of this interface: 0X00
 - Alternate setting: 0X00
 - Number of endpoints used by this interface: 0X01
 - Class code: 0X03
 - Subclass code: 0X01
 - Protocol code : 0X01
 - Index of string descriptor describing this interface: 0X00



- HID Descriptor
 - Descriptor size: 0X09
 - Descriptor type: 0X21
 - HID Specification release number: 0X0110
 - Country code: 0X00
 - Number of class descriptors: 0X01
 - Type of class descriptor: 0X22
 - Length of report descriptor: 0X0036
- Endpoint Descriptor
 - Descriptor size: 0X07
 - Descriptor type: 0X05
 - Endpoint's status: 0X81
 - Endpoint's attributes: 0X03
 - Maximum package size of this endpoint: 0X08
 - Interval for polling endpoint for data transfers: 0X000A
- Report Descriptor (Endpoint 1)
 - Using page (generic desktop): 0x05 0x01
 - Using (keyboard): 0x09 0x06
 - Collection (application): 0xa1 0x01
 - Using page (Page#for LEDs): 0x05 0x08
 - Using minimum (1): 0x19 0x01
 - Using maximum (3): 0x29 0x03
 - Logical minimum (0): 0x15 0x00
 - Logical maximum (1): 0x25 0x01
 - Report size (1): 0x75 0x01
 - Report count (3): 0x95 0x03
 - Output (data, variable, absolute): 0x91 0x02
 - Report count (5): 0x95 0x05
 - Output (constant): 0x91 0x01
 - Using page (key codes): 0x05 0x07
 - Using minimum (224): 0x19 0xe0
 - Using maximum (231): 0x29 0xe7
 - Report count (8): 0x95 0x08
 - Input (data, variable, absolute): 0x81 0x02
 - Report size (8): 0x75 0x08
 - Report count (1): 0x95 0x01
 - Input (constant): 0x81 0x01
 - Using minimum (0): 0x19 0x00
 - Using maximum (91): 0X29 0X91
 - Logical maximum (ff): 0x26 0xff 0x00
 - Report count (6): 0x95 0x06
 - Input (data, array): 0x81 0x00
 - End collection: 0xc0



- Interface Descriptor (Interface 1)
 - Descriptor size: 0X09
 - Descriptor type: 0X04
 - Number of this interface: 0X01
 - Alternate setting: 0X00
 - Number of endpoints used by this interface: 0X01
 - Class code: 0X03
 - Subclass code: 0X00
 - Protocol code: 0X00
 - Index of string descriptor describing this interface: 0X00
- HID Descriptor
 - Descriptor size: 0X09
 - Descriptor type: 0X21
 - HID Specification release number: 0X0110
 - Country code: 0X00
 - Number of class descriptors: 0X01
 - Type of class descriptor: 0X22
 - Length of report descriptor: 0X0034
- Endpoint Descriptor
 - Descriptor size: 0X07
 - Descriptor type: 0X05
 - Endpoint's status: 0X82
 - Endpoint's attributes: 0X03
 - Maximum package size of this endpoint: 0X03
 - Interval for polling endpoint for data transfers: 0X000A
- Report Descriptor (Endpoint 2)
 - Using page (consumer): 0x05 0x0c
 - Using (consumer): 0x09 0x01
 - Collection (application): 0xa1 0x01
 - Report id (01): 0x85 0x01
 - Using minimum (00): 0x19 0x00
 - Using maximum (023c): 0x2a 0x3c 0x02
 - Logical minimum (0): 0x15 0x00
 - Logical maximum (023c): 0x26 0x3c 0x02
 - Report count (1): 0x95 0x01
 - Report size (10): 0x75 0x10
 - Input (data, array, absolute): 0x81 0x00
 - End collection: 0xc0



Using page (generic desktop): 0x05 0x01
 Using (system control): 0x09 0x80
 Collection (application): 0xa1 0x01
 Report id (2): 0x85 0x02
 Using minimum (81): 0x19 0x81
 Using maximum (83): 0x29 0x83
 Logical minimum (0): 0x15 0x00
 Logic maximum (1): 0x25 0x01
 Report size (1): 0x75 0x01
 Report count (3): 0x95 0x03
 Input (data, variable, absolute): 0x81 0x02
 Report count (5): 0x95 0x05
 Input (constant): 0x81 0x01
 End collection: 0xc0

6.2.2 LED Report for USB Keyboard

When one of the LED buttons (Num, Caps, Scroll) is pressed, the host issues a Setup package with a Set_Report request to Endpoint 0 and an Out package with 1 byte data, which indicates the LED status. The format of the 1 byte data is:

Bit 7	Bit 6	Bit 5	Bit 4	Bit 3	Bit 2	Bit 1	Bit 0
Constant	Constant	Constant	Kana	Compose	Scroll Lock	Caps Lock	Num Lock

6.2.3 USB Keyboard Scan Code

When the keys of HID Using Page 07 are pressed, the scan codes will be sent using Endpoint 1. If the keys of HID Using Page 01 and 0C are pressed, the scan codes will be sent using Endpoint 2.

When the host issues an IN packet to Endpoint 1 to receive data from the device and the keys of HID Using Page 07 are pressed, the device return 8 bytes to the host. The 8 bytes as follows:

Byte 7	Byte 6	Byte 5	Byte 4	Byte 3	Byte 2	Byte 1	Byte 0
Key 6	Key 5	Key 4	Key 3	Key 2	Key 1	Reserved	Modifier

The modifier bytes are as follows:

Bit 7	Bit 6	Bit 5	Bit 4	Bit 3	Bit 2	Bit 1	Bit 0
Right GUI	Right Alt	Right Shift	Right Ctrl	Left GUI	Left Alt	Left Shift	Left Ctrl

When the host issues an IN packet to Endpoint 2 to receive data from the device and the keys of HID Using Page 0C (or 01) are pressed, the device return 3 (or 2) bytes to the host. The 3 (or 2) bytes are as follows:



HID Using Page 0C:

Byte 2	Byte 1	Byte 0
Using ID 2nd Byte	Using ID 1st Byte	Report ID 0X01

HID Using Page 01:

Byte 1	Byte 0
Using ID	Report ID 0X02

HID Using ID:

Key	HID Using Page	HID Using ID	Key	HID Using Page	HID Using ID
`(~)	07	35	X	07	1B
1	07	1E	C	07	06
2	07	1F	V	07	19
3	07	20	B	07	05
4	07	21	N	07	11
5	07	22	M	07	10
6	07	23	,(<)	07	36
7	07	24	.(>)	07	37
8	07	25	/(&?)	07	38
9	07	26	Shift_R	07	E5
0	07	27	Ctrl_L	07	E0
-(-)	07	2D	Alt_L	07	E2
=(+)	07	2E	Space	07	2C
Backspace	07	2A	Alt_R	07	E6
Tab	07	2B	Ctrl_R	07	E4
Q	07	14	Num	07	53
W	07	1A	(7)	07	5F
E	07	08	(4)	07	5C
R	07	15	(1)	07	59
T	07	17	(8)	07	60
Y	07	1C	(5)	07	5D
U	07	18	(2)	07	5A
I	07	0C	(0)	07	62
O	07	12	(*)	07	55
P	07	13	(9)	07	61
[({)	07	2F	(6)	07	5E
]})	07	30	(3)	07	5B
\()@1	07	31	(DEL)	07	63
CAPS	07	39	(-)	07	56
A	07	04	(+)	07	57
S	07	16	(Enter)	07	58



Key	HID Using Page	HID Using ID	Key	HID Using Page	HID Using ID
D	07	07	ESC	07	29
F	07	09	F1	07	3A
G	07	0A	F2	07	3B
H	07	0B	F3	07	3C
J	07	0D	F4	07	3D
K	07	0E	F5	07	3E
L	07	0F	F6	07	3F
;(:)	07	33	F7	07	40
'(")	07	34	F8	07	41
K42	07	32	F9	07	42
Enter	07	28	F10	07	43
Shift_L	07	E1	F11	07	44
K45	07	64	F12	07	45
Z	07	1D	Scroll	07	47
Ins	07	49	(/)	07	54
Del	07	4C	Print	07	46
Left	07	50	Pause	07	48
Home	07	4A	Break (Pause+Ctrl)	07	48
End	07	4D			
Up	07	52	www Back	0C	0224
Down	07	51	www Forward	0C	0225
Page Up	07	4B	www stop	0C	0226
Page Down	07	4E	www Refresh	0C	0227
Right	07	4F	www Search	0C	0221
WIN_L	07	E3	www Favorite	0C	022A
WIN_R	07	E7	www Home	0C	0223
APP	07	65	Mail	0C	018A
N-CHG (131)	07	8B	Mute	0C	00E2
CHG (132)	07	8A	Volume +	0C	00E9
ROMA (133)	07	88	Volume -	0C	00EA
K14	07	89	Play/Pause	0C	00CD
K56	07	87	Stop	0C	00B7
K107	07	85	PreTrack	0C	00B6
KL	07	91	Nexttrack	0C	00B5
KR	07	90	Media Select	0C	0183
Power	01	81	My Computer	0C	0194
Sleep	01	82	Calculator	0C	0192
Wake up	01	83			

6.3 Internal-Multi Function

Internal-Multi Function 1:

	Multi-Media Function		Internal Function		O.S. Function	
Fn+ (M/Mode)	Pad_2	Volume-	Pad_Enter	Web/Home	Pad_0	MyComputer
	Pad_3	Play/Pause	Pad_+	Mail	Pad_1	Calculator
	Pad_4	PreTrack	Pad_-	Favorites		
	Pad_5	Media	Pad_.	Search		
	Pad_6	NextTrack	Right	Forward	E	Eur Key
	Pad_7	Mute	Left	Back		
	Pad_8	Volume+	Down	Stop		
	Pad_9	Stop	Up	Refresh		

Internal-Multi Function 2:

	Multi-Media Function		Internal Function		O.S. Function	
Fn+ (M/Mode)	Pad_Enter	Volume-	F1	Web/Home	F10	MyComputer
	Down	Play/Pause	F8	Mail	F11	Calculator
	Left	PreTrack	F2	Favorites		
	F9	Media	F3	Search		
	Right	NextTrack	F6	Forward	E	Eur Key
	F12	Mute	F7	Back		
	Pad_+	Volume+	F5	Stop		
	Up	Stop	F4	Refresh		

7 Absolute Maximum Ratings

Parameter	Sym.	Ratings
Supply Voltage	VCC	-0.5V to +6V
Input Voltage	VIN	-0.3V to +6V
Output Voltage	VOUT	-0.3V to +6V
Temperature under bias	TB	to 7°C
Storage Temperature	TS	-6°C to 15°C

8 DC Electrical Characteristics

Parameter	Sym.	Condition	Min.	Typ.	Max.	Unit
Operating voltage	VCC		4.5	5	5.5	V
Operating supply current	ICCI	Freq. = 6MHz			10	mA
Input leakage	IIN	V IN = V CC, V SS			1	A
Input high voltage	VIH		2.0			V
Input low voltage	VIL				0.8	V
Output low voltage	VOL1	I OL1 = 10 mA		0.4		V

Parameter	Sym.	Condition	Min.	Typ.	Max.	Unit
Output low voltage for LEDs	VOL2	IOL2 = 10 mA	–	3.0	–	V
Output low voltage for Mode LED	VOL3	IOL3 = 10 mA	–	1	–	V
Internal Pull-high resistance (Ports 6, 9)	RPH1	VPH1 = 0V	–	25	–	K Ω
Internal Pull-high resistance for Data, CLK	RPH2	VPH2 = 0V	–	4.7	–	K Ω
Internal Pull-high resistance for D-	RPH3	VPH3 = 0V	–	1.5	–	K Ω
Output low voltage for Data CLK	VOL3	IOL3 = 5 mA	–	0.4	–	V

9 AC Electrical Characteristics

Parameter	Sym.	Min.	Typ.	Max.	Unit
Time from Data transition to falling edge of CLK	T1	5	–	25	S
Time from rising edge of CLK to Data transition	T2	5	–	T4 - 5	S
Duration of CLK inactive	T3	30	40	50	S
Duration of CLK active	T4	30	40	50	S
Time for auxiliary device inhibit after Clock 11 to ensure the auxiliary device does not start another transmission	T5	–	–	50	S
Time from inactive to active CLK transition, used to time when auxiliary device samples Data	T6	5	–	25	S
System clock	FCLK	–	6	–	MHz

10 PS/2 Timing Diagram

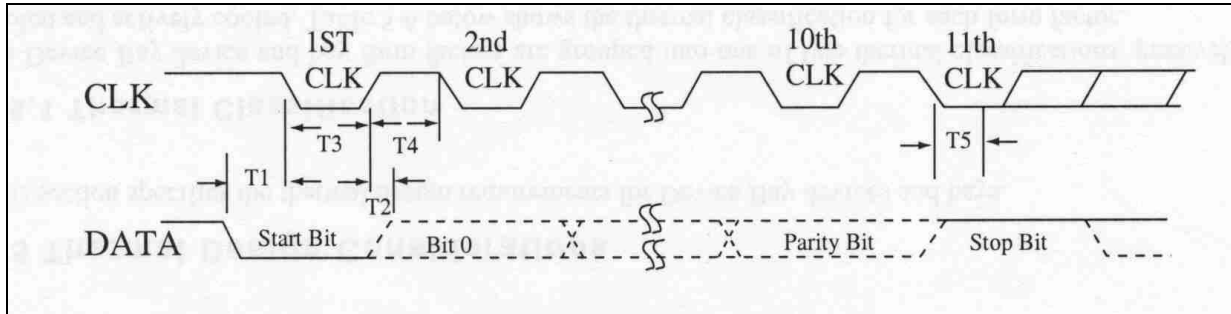


Fig 10-1 PS/2 Keyboard Output Data Timing

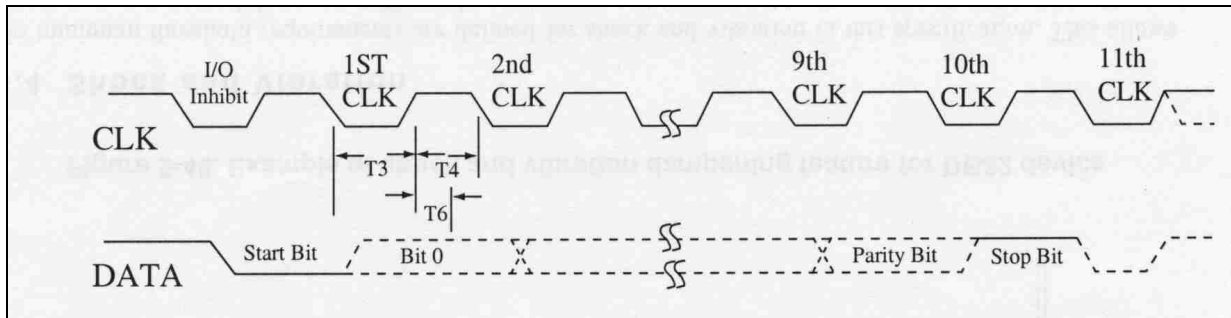
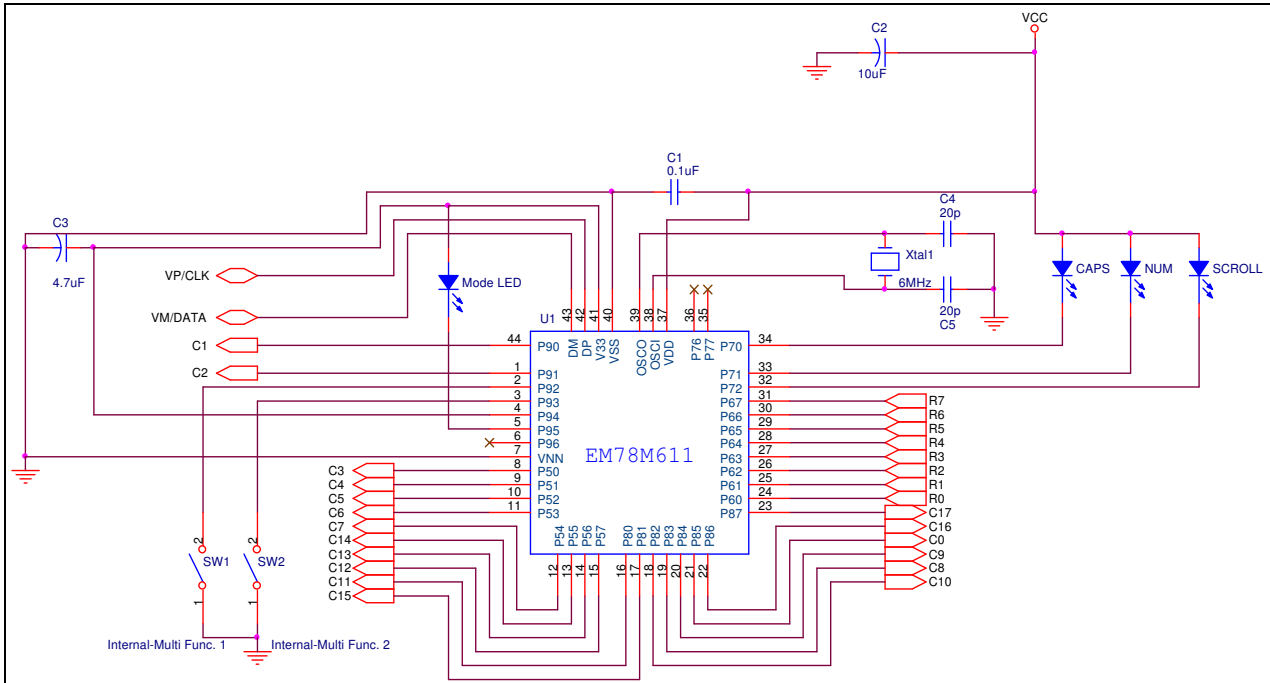
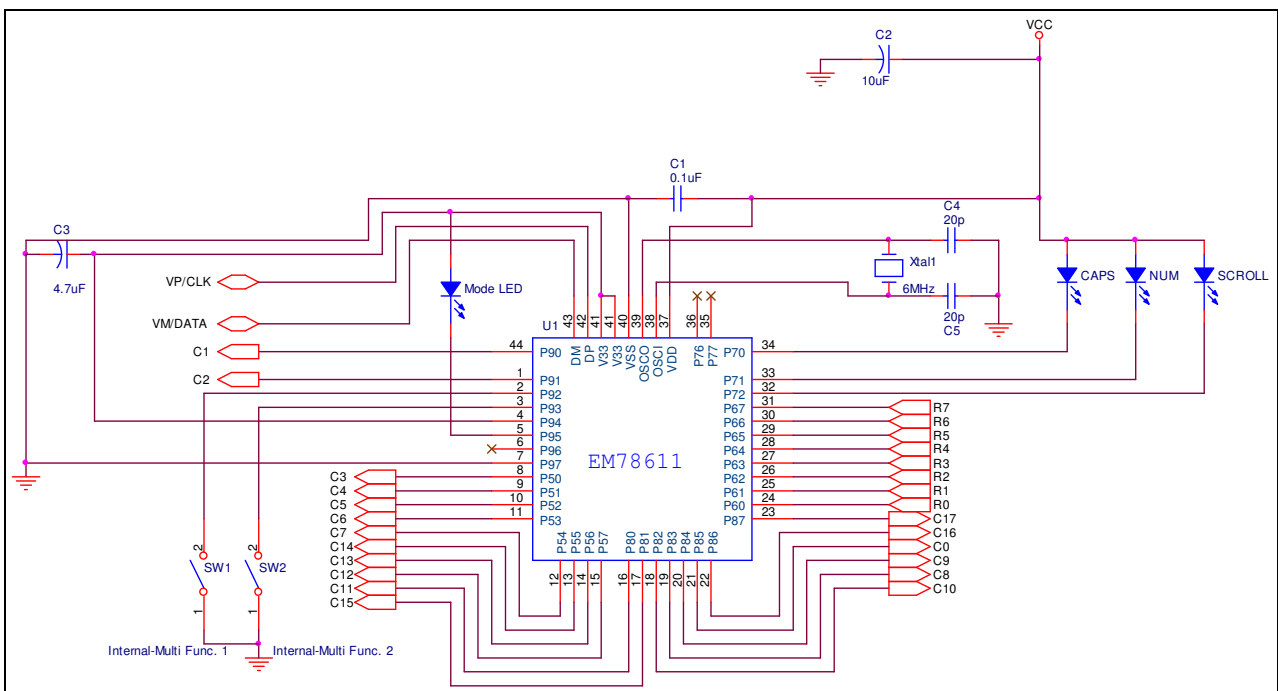


Fig 10-2 PS/2 Keyboard input Data Timing

11 Application Circuit



*EM78M611 is the body of eKK8011A

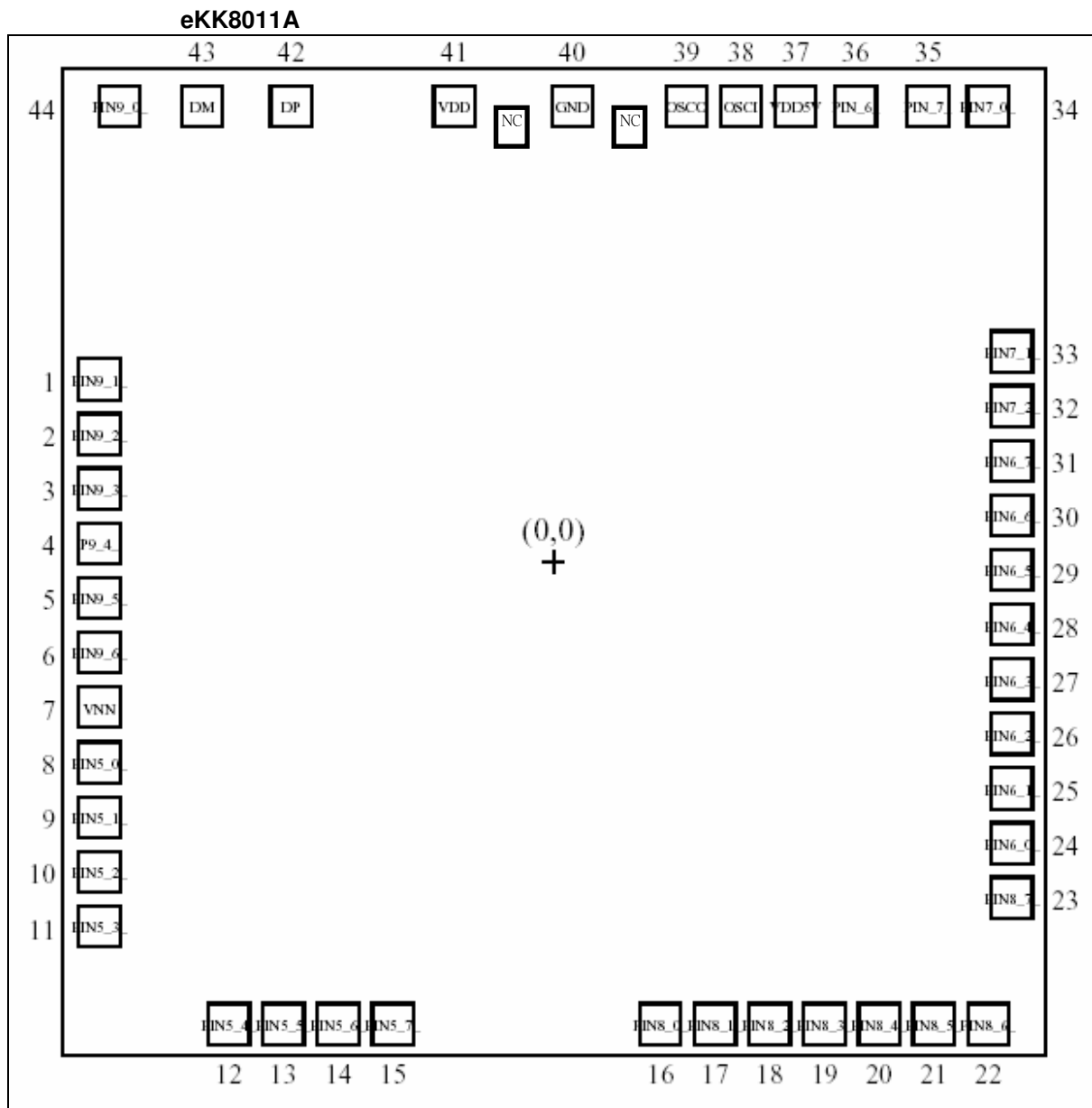


*EM78611 is the body of eKK8011B

12 Application Matrix

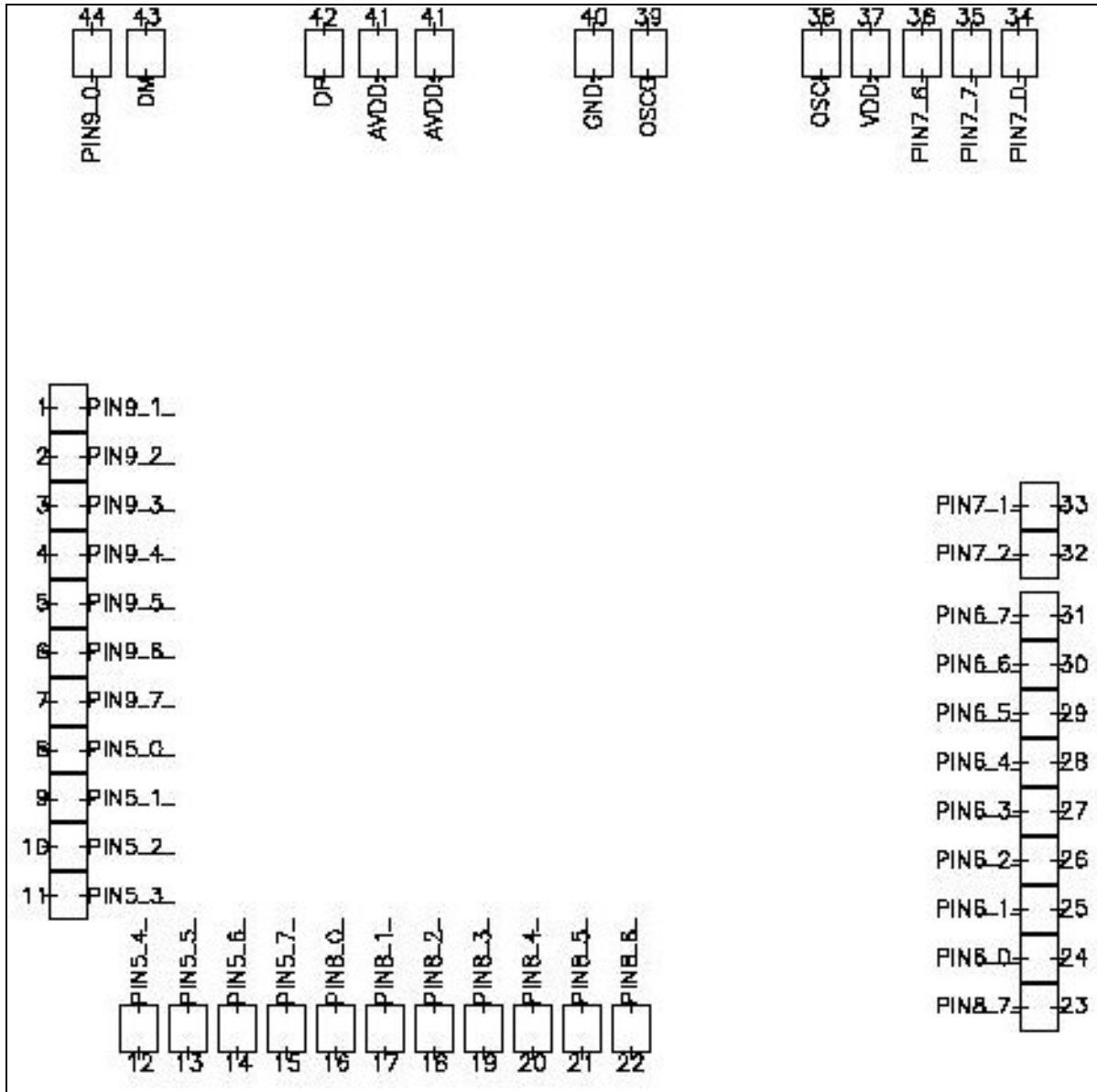
	R0, P60, 24	R1, P61, 25	R2, P62, 26	R3, P63, 27	R4, P 64, 28	R5, P65, 29	R6, P66, 30	R7, P67, 31
C0 P85, 21	Pause	Power	€	Sleep	Ctrl-R	Wake-up	Ctrl-L	F5
C1 P90, 44	Q	Tab	A	ESC	Z	N-CHG	` (~)	1 (!)
C2 P91, 1	W	CAP	S	K45	X	CHG	F1	2 (@)
C3 P50, 8	E	F3	D	F4	C	ROMA	F2	3 (#)
C4 P51, 9	R	T	F	G	V	B	5 (%)	4 (\$)
C5 P52, 10	U	Y	J	H	M	N	6 (^)	7 (&)
C6 P53, 11	I] (})	K	F6	, (<)	K56	+ (=)	8 (*)
C7 P54, 12	O	F7	L	¥	. (>)	APP	F8	9 ('')
C8 P83, 19	P	[({)	; (:)	' (")	K42	/ (?)	_ (-)	0 ('')
C9 P84, 20	SCROLL		Fn	ALT-L	M/Mode	ALT-R		PRINT
C10 P82, 18	K14	BACK	\ ()	F11	Enter	F12	F9	F10
C11 P80, 16	7 (K)	4 (K)	1 (K)	Space	Num	↓	DEL	Power
C12 P57, 15	8 (K)	5 (K)	2 (K)	0 (K)	/ (K)	→	INS	Sleep
C13 P56, 14	9 (K)	6 (K)	3 (K)	. (K)	* (K)	- (K)	Page Up	Page Down
C14 P55, 13	+ (K)	K107	Enter (K)	↑	Play/Pause	←	Home	End
C15 P81, 17	Wake Up	Shift-L	SHIFT-R	Volume-	Volume+	NextTrack	PrevTrack	Media
C16 P86, 22	Mail	WIN-L	WWW Forward	WWWStop	WWWBack	WWW Refresh	Mute	WWW Search
C17 P87, 23	K150 (KC-L)	WWW Favorites	WIN-R	MyComputer	Stop	Calculator	Web/Home	K151 (KC-R)

13 Pad Diagram



Chip Size: 2270 * 2280 UM

eKK8011B



Chip Size: 2300 × 2320 μm

eKK8011A

Pin No	Pad Name	Coordinate (X , Y)	Pin No	Pad Name	Coordinate (X , Y)
1	PIN9_1_	-997.9 ,401.2	26	PIN6_2_	1007.9 ,-377.6
2	PIN9_2_	-997.9 ,281.2	27	PIN6_3_	1007.9 ,-257.6
3	PIN9_3_	-997.9 ,161.2	28	PIN6_4_	1007.9 ,-137.6
4	P9_4_	-997.9 ,41.2	29	PIN6_5_	1007.9 ,-17.6
5	PIN9_5_	-997.9 ,-78.8	30	PIN6_6_	1007.9 ,102.4
6	PIN9_6_	-997.9 ,-198.8	31	PIN6_7_	1007.9 ,222.4
7	VNN	-997.9 ,-318.8	32	PIN7_2_	1007.9 ,342.4
8	PIN5_0_	-997.9 ,-440.5	33	PIN7_1_	1007.9 ,462.4
9	PIN5_1_	-997.9 ,-560.5	34	PIN7_0_	955.1 ,1000.8
10	PIN5_2_	-997.9 ,-680.5	35	PIN_7_	822.9 ,1000.8
11	PIN5_3_	-997.9 ,-800.5	36	PIN_6_	664.3 ,1000.8
12	PIN5_4_	-713.5 ,-1015.0	37	VDD5V	532.1 ,1000.8
13	PIN5_5_	-593.5 ,-1015.0	38	OSCI	412.1 ,1000.8
14	PIN5_6_	-473.5 ,-1015.0	39	OSCO	292.1 ,1000.8
15	PIN5_7_	-353.5 ,-1015.0	40	GND	41.2 ,1000.8
16	PIN8_0_	235.1 ,-1015.0	41	VDD	-218.2 ,1000.8
17	PIN8_1_	355.1 ,-1015.0	42	DP	-577.1 ,1000.8
18	PIN8_2_	475.1 ,-1015.0	43	DM	-771.8 ,1000.8
19	PIN8_3_	595.1 ,-1015.0	44	PIN9_0_	-953.7 ,1000.8
20	PIN8_4_	715.1 ,-1015.0			
21	PIN8_5_	835.1 ,-1015.0			
22	PIN8_6_	955.2 ,-1015.0			
23	PIN8_7_	1007.9 ,-737.6			
24	PIN6_0_	1007.9 ,-617.6			
25	PIN6_1_	1007.9 ,-497.6			



eKK8011B

EM No	EM78611 44 pins		
Pads Bonding Together		AVDD: AVDD:	
Pin No	Pad Name	X	Y
1	PIN9_1_	-1040	285.35
2	PIN9_2_	-1040	180.35
3	PIN9_3_	-1040	75.35
4	PIN9_4_	-1040	-29.65
5	PIN9_5_	-1040	-134.65
6	PIN9_6_	-1040	-239.65
7	PIN9_7_	-1040	-344.65
8	PIN5_0_	-1040	-449.65
9	PIN5_1_	-1040	-554.65
10	PIN5_2_	-1040	-659.65
11	PIN5_3_	-1040	-764.65
12	PIN5_4_	-886.9	-1050
13	PIN5_5_	-781.9	-1050
14	PIN5_6_	-676.9	-1050
15	PIN5_7_	-571.9	-1050
16	PIN8_0_	-466.9	-1050
17	PIN8_1_	-361.9	-1050
18	PIN8_2_	-256.9	-1050
19	PIN8_3_	-151.9	-1050
20	PIN8_4_	-46.9	-1050
21	PIN8_5_	58.1	-1050
22	PIN8_6_	163.1	-1050
23	PIN8_7_	1040	-1002.1
24	PIN6_0_	1040	-897.1
25	PIN6_1_	1040	-792.1
26	PIN6_2_	1040	-687.1
27	PIN6_3_	1040	-582.1
28	PIN6_4_	1040	-477.1
29	PIN6_5_	1040	-372.1
30	PIN6_6_	1040	-267.1



EM No	EM78611 44 pins		
Pads Bonding Together		AVDD: AVDD:	
Pin No	Pad Name	X	Y
31	PIN6_7_	1040	-162.1
32	PIN7_2_	1040	-28.6
33	PIN7_1_	1040	76.4
34	PIN7_0_	995.3	1050
35	PIN7_7_	890.3	1050
36	PIN7_6_	785.3	1050
37	VDD:	677.8	1050
38	OSCI	570.3	1050
39	OSCO	202.55	1050
40	GND:	85.3	1050
41	AVDD:	-256.9	1050
41	AVDD:	-376.65	1050
42	DP	-493.9	1050
43	DM	-871.9	1050
44	PIN9_0_	-989.8	1050