

## 1 Scope

The present specifications shall apply to Sanken silicon diode, EM01A.

## 2 Outline

Type	Silicon Rectifier Diode (Mesa type)
Structure	Resin Molded      Flammability: UL94V-0 (Equivalent)
Applications	Commercial Frequency Rectification, etc

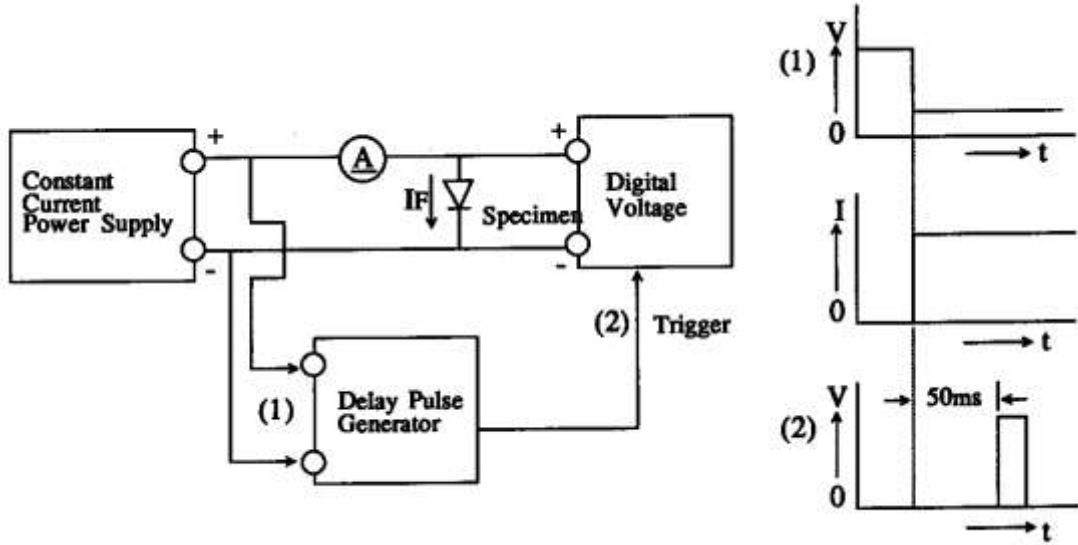
## 3 Absolute maximum ratings

No.	Item	Symbol	Unit	Rating	Conditions
1	Transient Peak Reverse Voltage	$V_{RSM}$	V	650	
2	Peak Reverse Voltage	$V_{RM}$	V	600	
3	Average Forward Current	$I_{F(AV)}$	A	1.0	Refer to Derating curve in Section 6
4	Peak Surge Forward Current	$I_{FSM}$	A	45	10ms. Half sine wave, one shot
5	Junction Temperature	$T_j$	°C	-40 to +150	
6	Storage Temperature	$T_{stg}$	°C	-40 to +150	

4 Electrical characteristics ( $T_a=25^{\circ}\text{C}$ , unless otherwise specified)

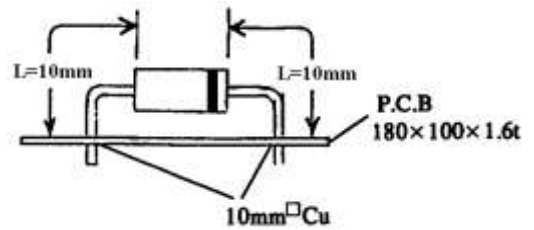
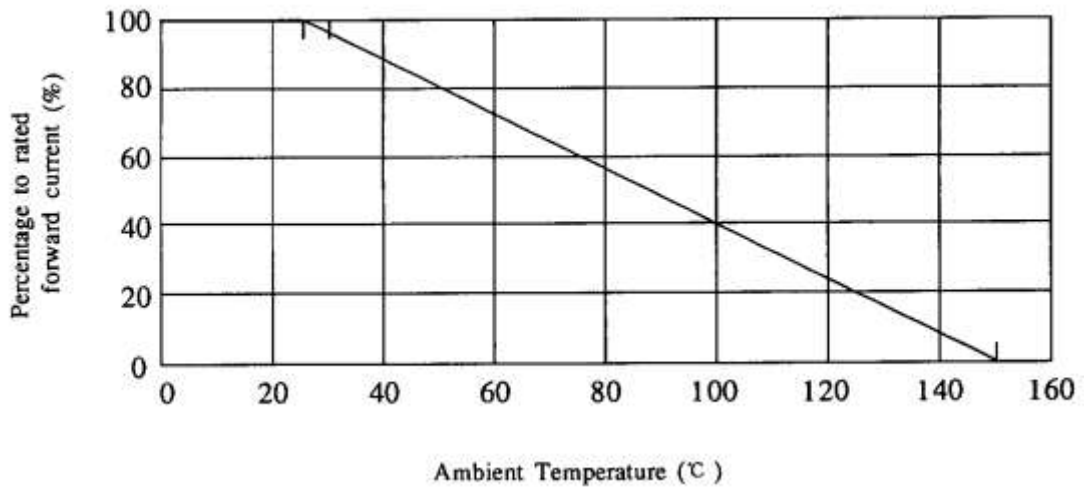
No.	Item	Symbol	Unit	Rating	Conditions
1	Forward Voltage Drop	$V_F$	V	0.97 max.	$I_F=1.0\text{A}$
2	Reverse Leakage Current	$I_R$	$\mu\text{A}$	10 max.	$V_R=V_{RM}$
3	Reverse Leakage Current Under High Temperature	$H \cdot I_R$	$\mu\text{A}$	50 max.	$V_R=V_{RM}$ , $T_a=100^{\circ}\text{C}$
4	Thermal Resistance	$R_{th(j-l)}$	°C/W	20 max.	Between Junction and Lead

5  $V_F$  test and test circuit



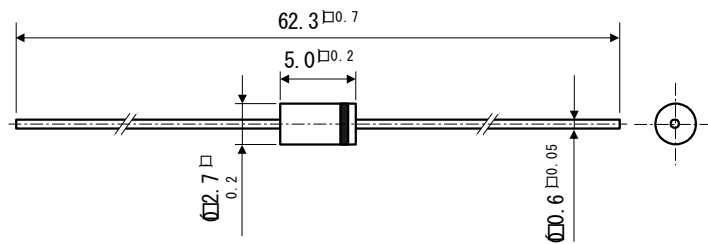
6 Derating

Derating to the ambient temperature.  
Power loss generated by voltage is not taken into consideration.



## 7 Package information

## 7-1 Package type, physical dimensions and material



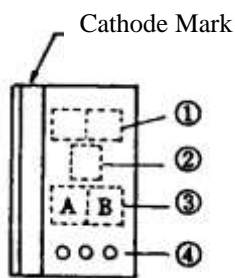
Dimensions in mm

- ※1 The allowance position of Body against the center of whole lead wire is 0.5mm(max.)
- ※2 The centric allowance of lead wire against center of physical body is 0.2mm(max.)
- ※3 The burr may exit up to 2mm from the body of lead

## 7-2 Appearance

The body shall be clean and shall not bear any stain, rust or flaw.

## 7-3 Marking



- ① Type number M0 as abbreviated of EM01A
- ② Class number : A
- ③ Lot number
  - A : Last digit of calendar year
  - B : Month (From 1 to 9 for Jan. to Sep. O for Oct. N for Nov. D for Dec.)
- ④ Ten days (· first ten days, ·· second ten days, ... third ten days)

The type No.  $V_{RM}$  rank and Lot No. are to be marked in white.